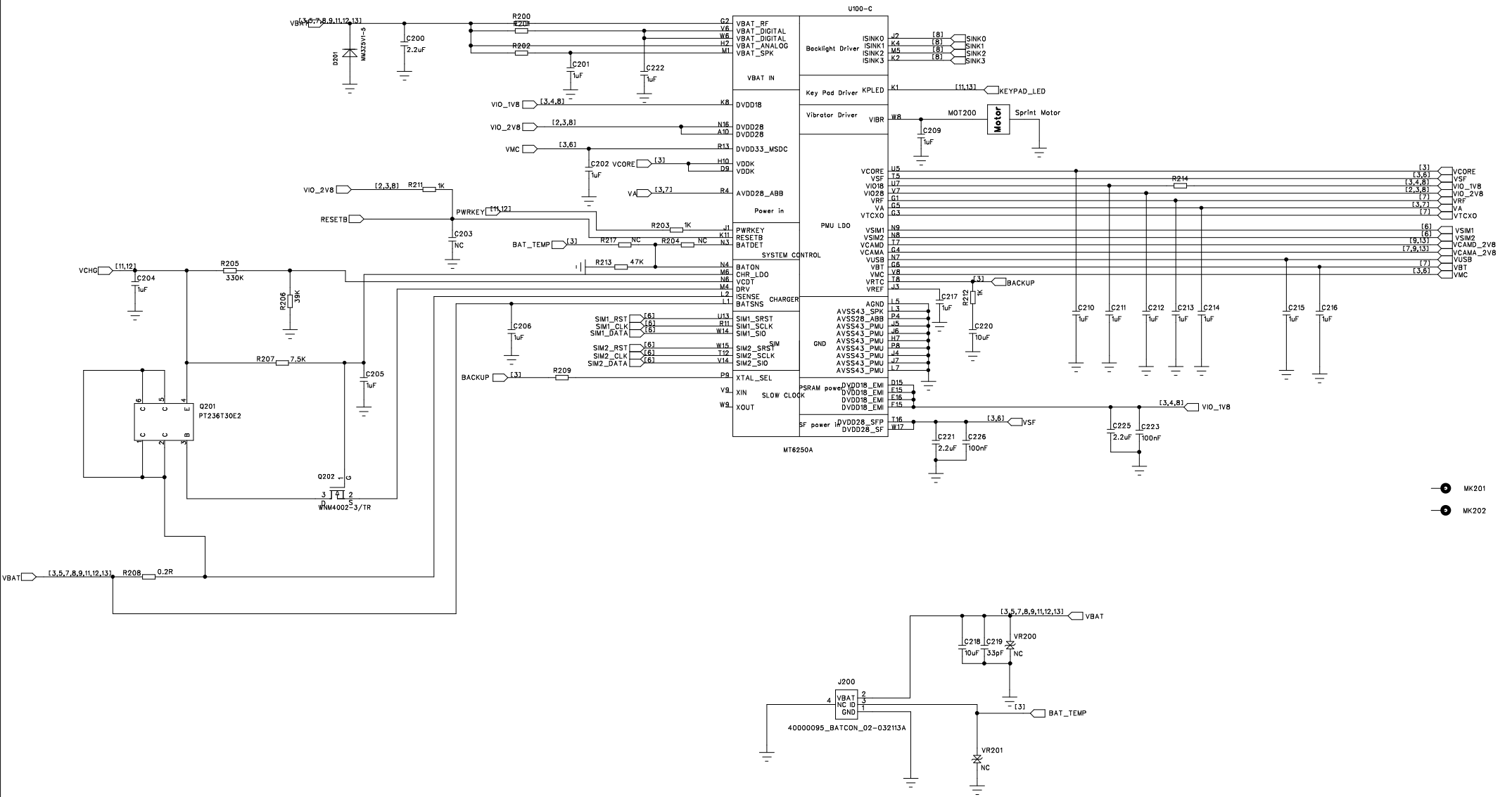


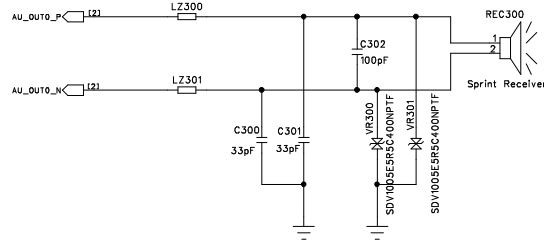
		File NO:
MODEL:		Drawing NO:
TITLE:		STANDARD:
SCH:	PCB:	CHECK:
DESIGN:		APPROVE:



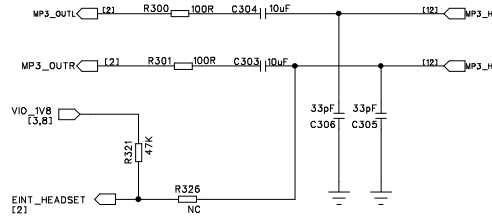
- MK201
- MK202

		File NO:
MODEL:		Drawing NO:
TITLE:		STANDARD:
SCH:	PCB:	CHECK:
DESIGN:	APPROVE:	

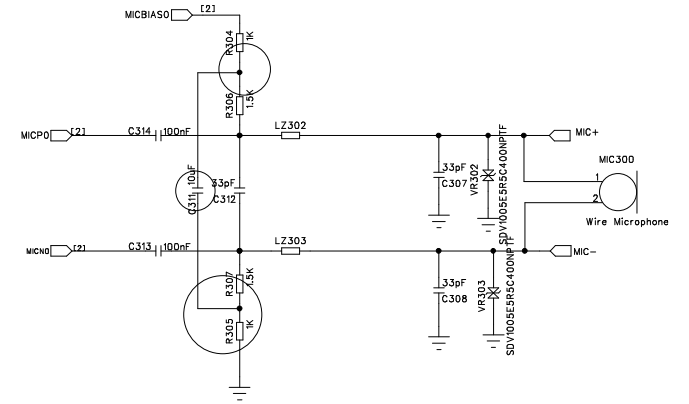
HANDSET RECEIVER



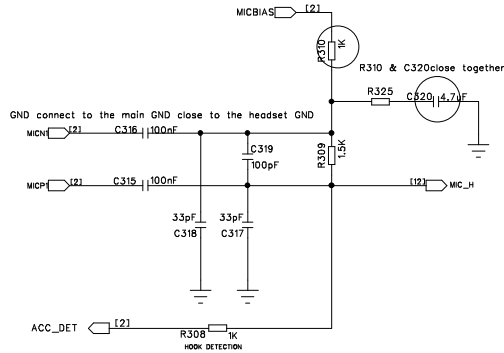
Earphone Receiver



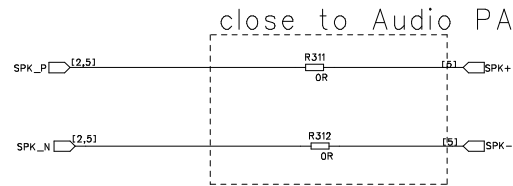
HANDSET MICROPHONE



Earphone MICROPHONE

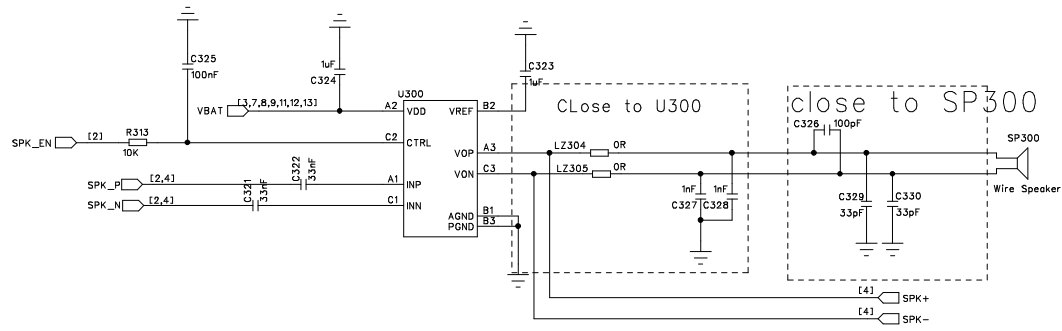


Detection of Send key on Earphone



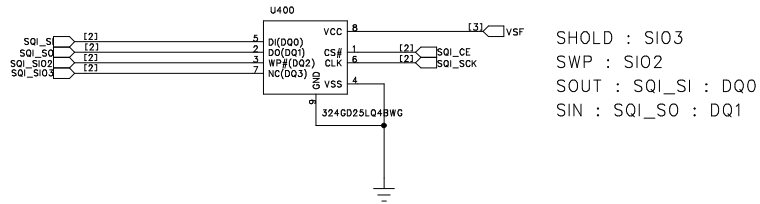
	File NO:
MODEL:	Drawing NO:
TITLE:	STANDARD:
SCH: C.365	PCB: CHECK:
DESIGN:	APPROVE:

D-class audio PA: AW8145

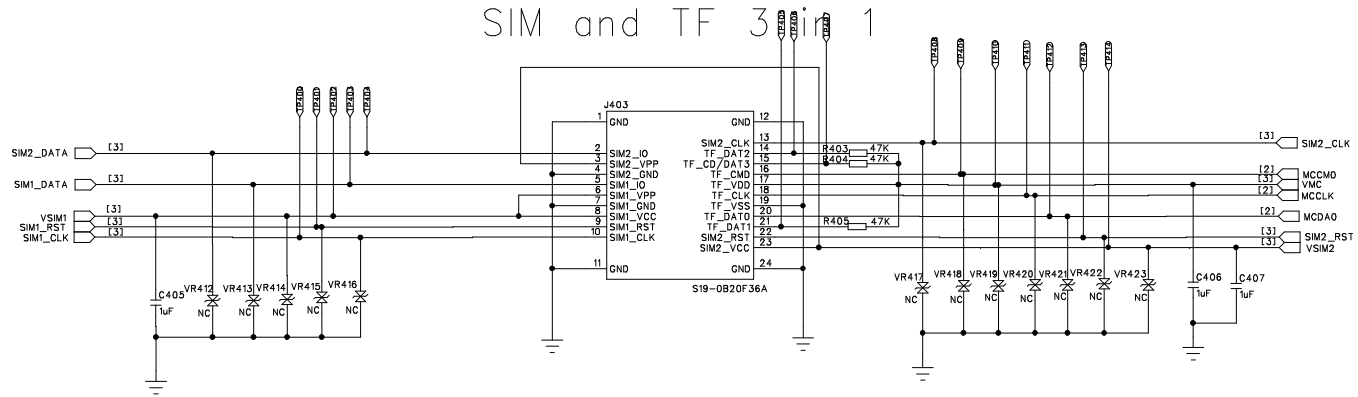


		File NO:
MODEL:		Drawing NO:
TITLE:		STANDARD:
SCH:C120	PCB:	CHECK:
DESIGN:		APPROVE:

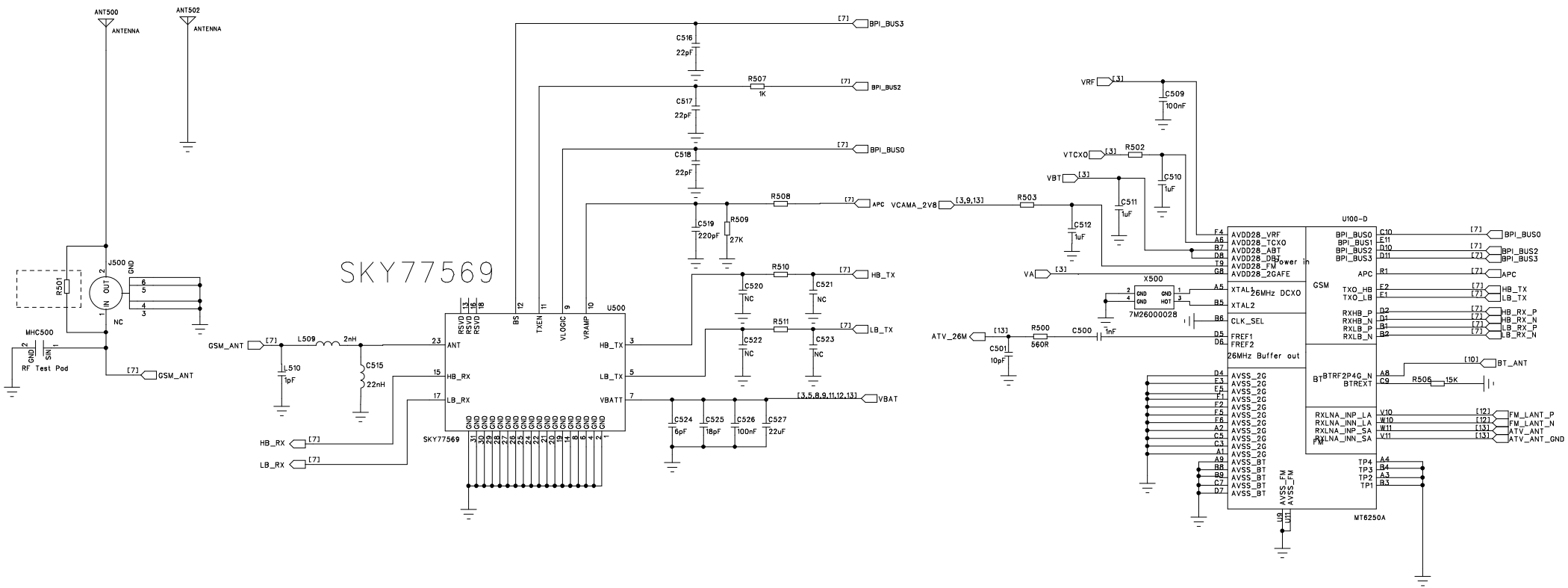
Flash



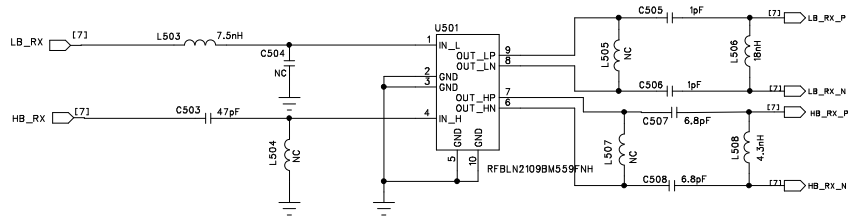
SIM and TF 3ii 1



		File NO:
MODEL:		Drawing NO:
TITLE:		STANDARD:
SCH:C362	PCB:	CHECK:
DESIGN:		APPROVE:

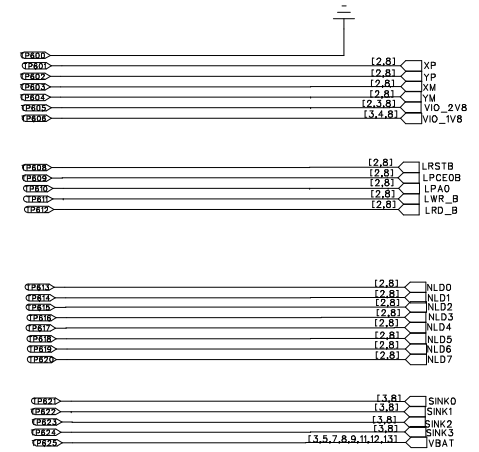
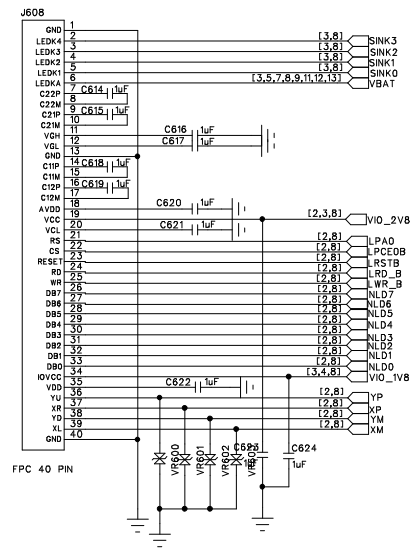


SKY77569



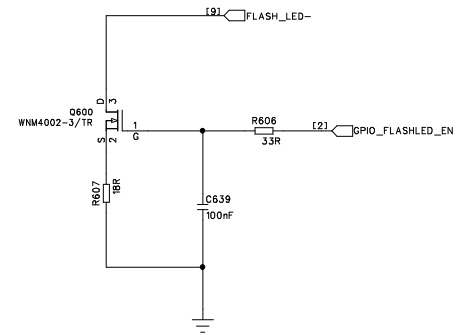
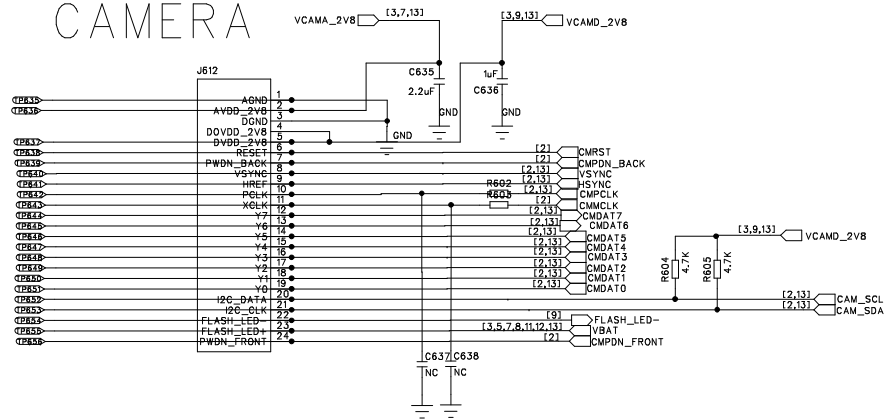
		File NO:
MODEL:	Drawing NO:	
TITLE:	STANDARD:	
SCH:C362	PCB:	CHECK:
DESIGN:	APPROVE:	

C381 2.2&2.4 low cost LCD

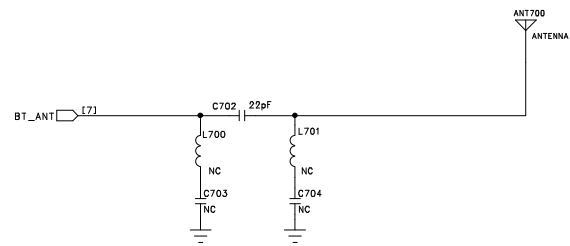


		File NO:
MODEL:		Drawing NO:
TITLE:		STANDARD:
SCH:C120	PCB:	CHECK:
DESIGN:		APPROVE:

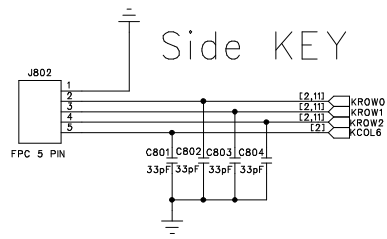
CAMERA



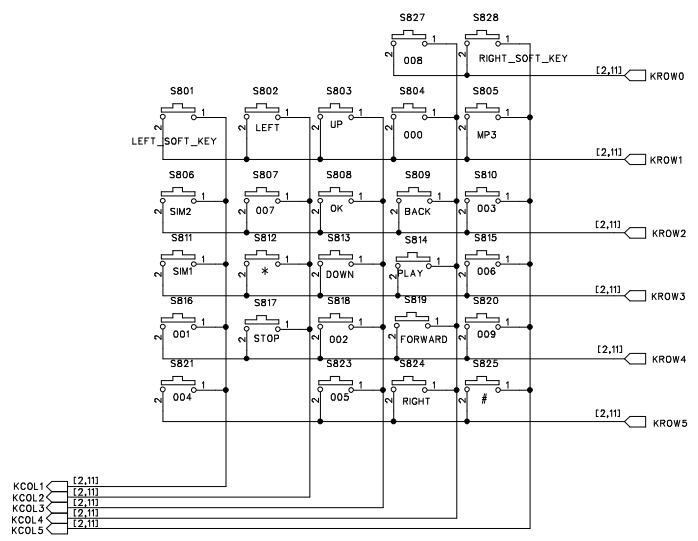
		File NO:
MODEL:		Drawing NO:
TITLE:		STANDARD:
SCH:C362	PCB:	CHECK:
DESIGN:		APPROVE:



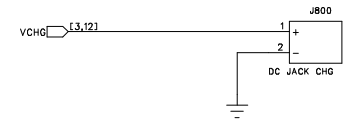
		File NO:
MODEL:		Drawing NO:
TITLE:		STANDARD:
SCH:C362	PCB:	CHECK:
DESIGN:		APPROVE:



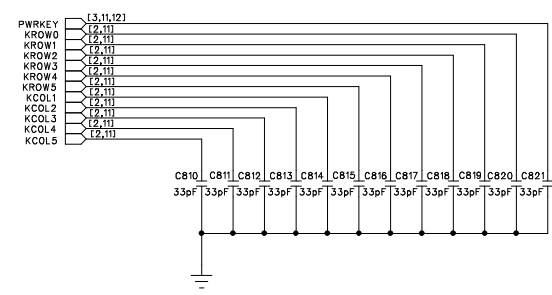
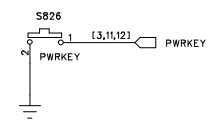
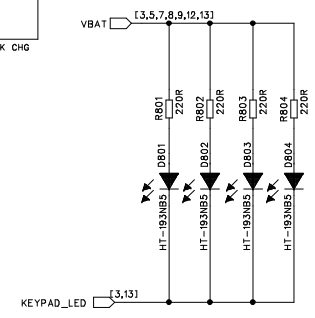
Standard 27 Keys



DC charger

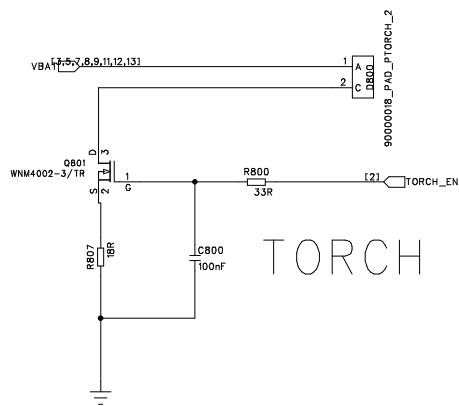
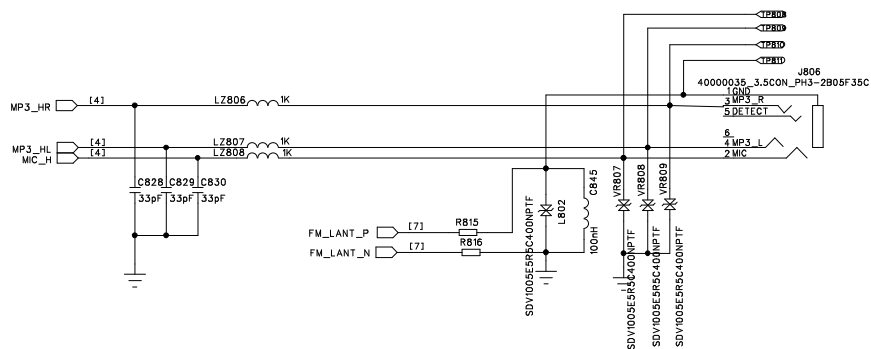


KEYPAD LED

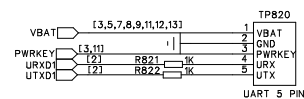


	File NO:
MODEL:	Drawing NO:
TITLE:	STANDARD:
SCH:C362	PCB: CHECK:
DESIGN:	APPROVE:

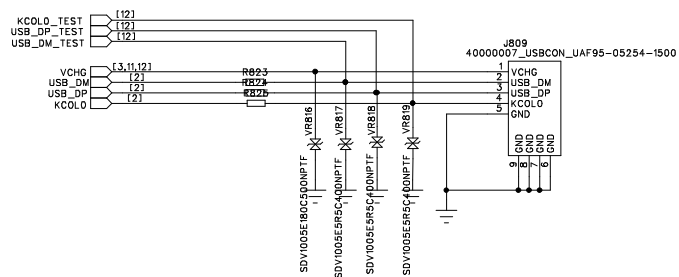
3.5MM EARPHONE #2



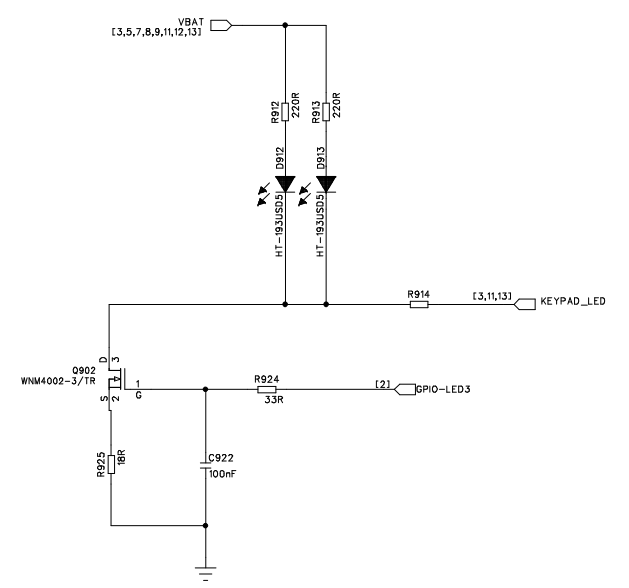
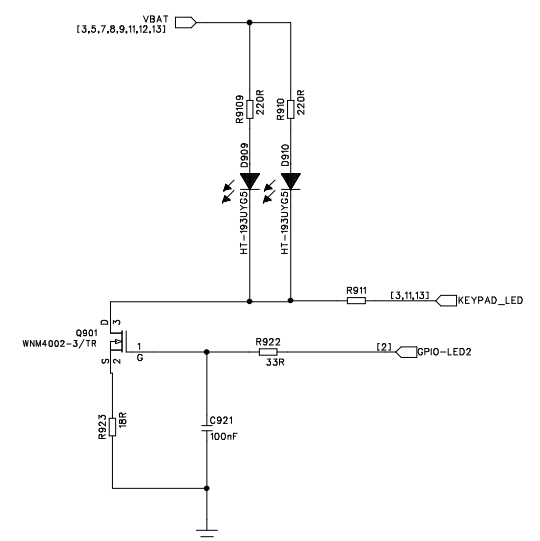
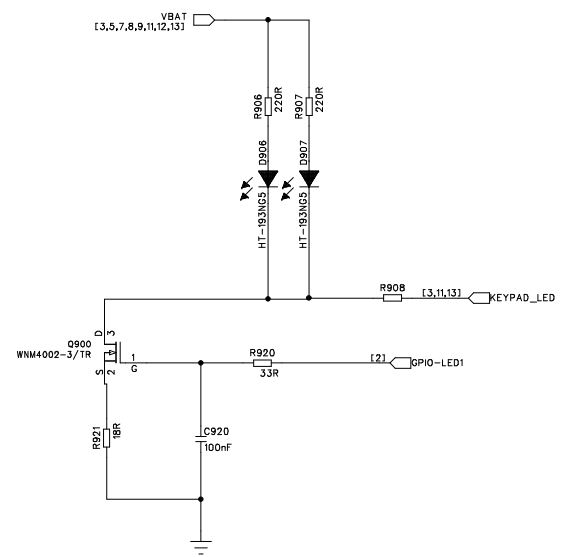
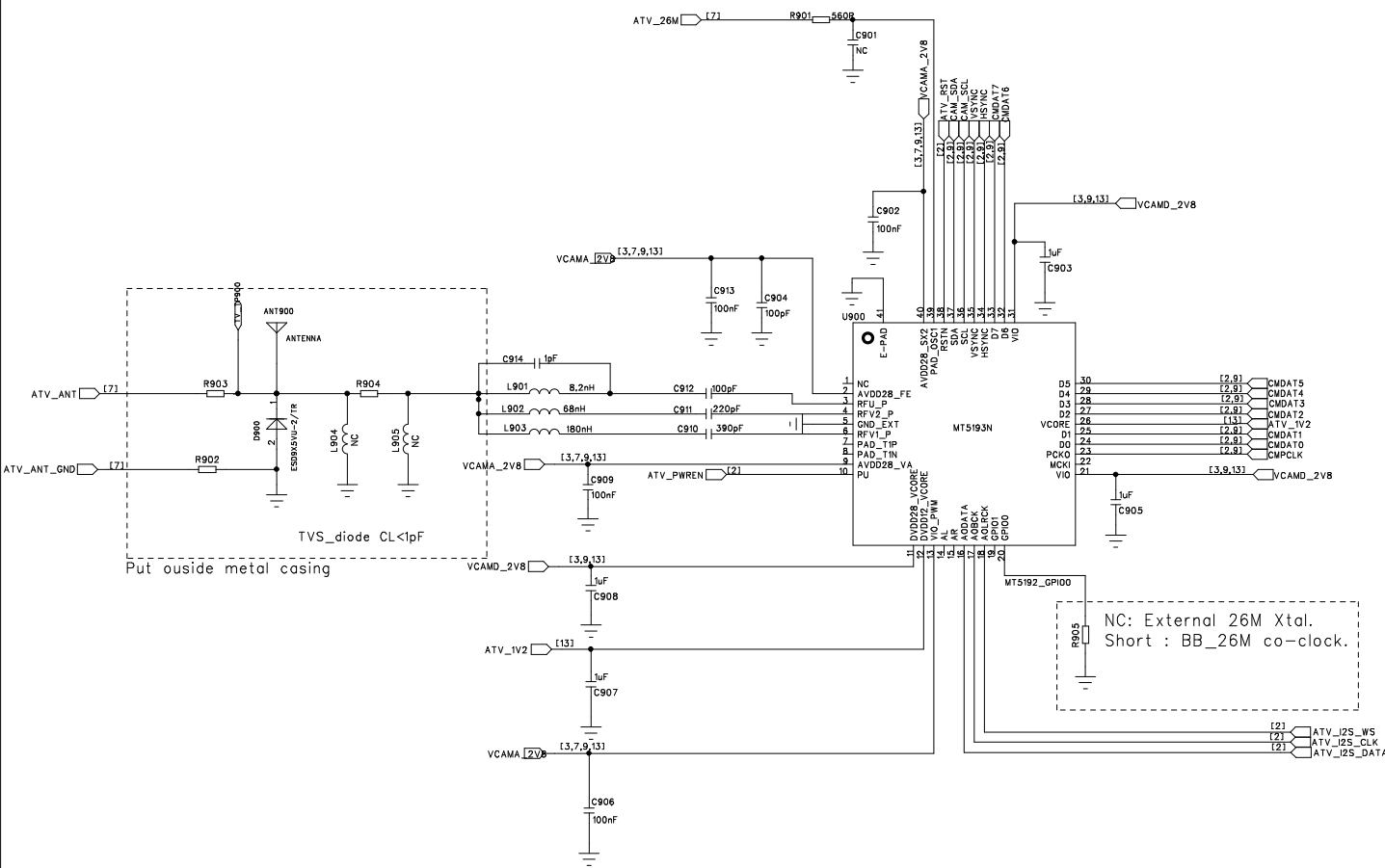
TORCH



5 PIN USB



	File NO:
MODEL:	Drawing NO:
TITLE:	STANDARD:
SCH:C120	PCB: CHECK:
DESIGN:	APPROVE:



MODEL:		File NO:
TITLE:		Drawing NO:
SCH:C362	PCB:	STANDARD:
DESIGN:	CHECK:	APPROVE: