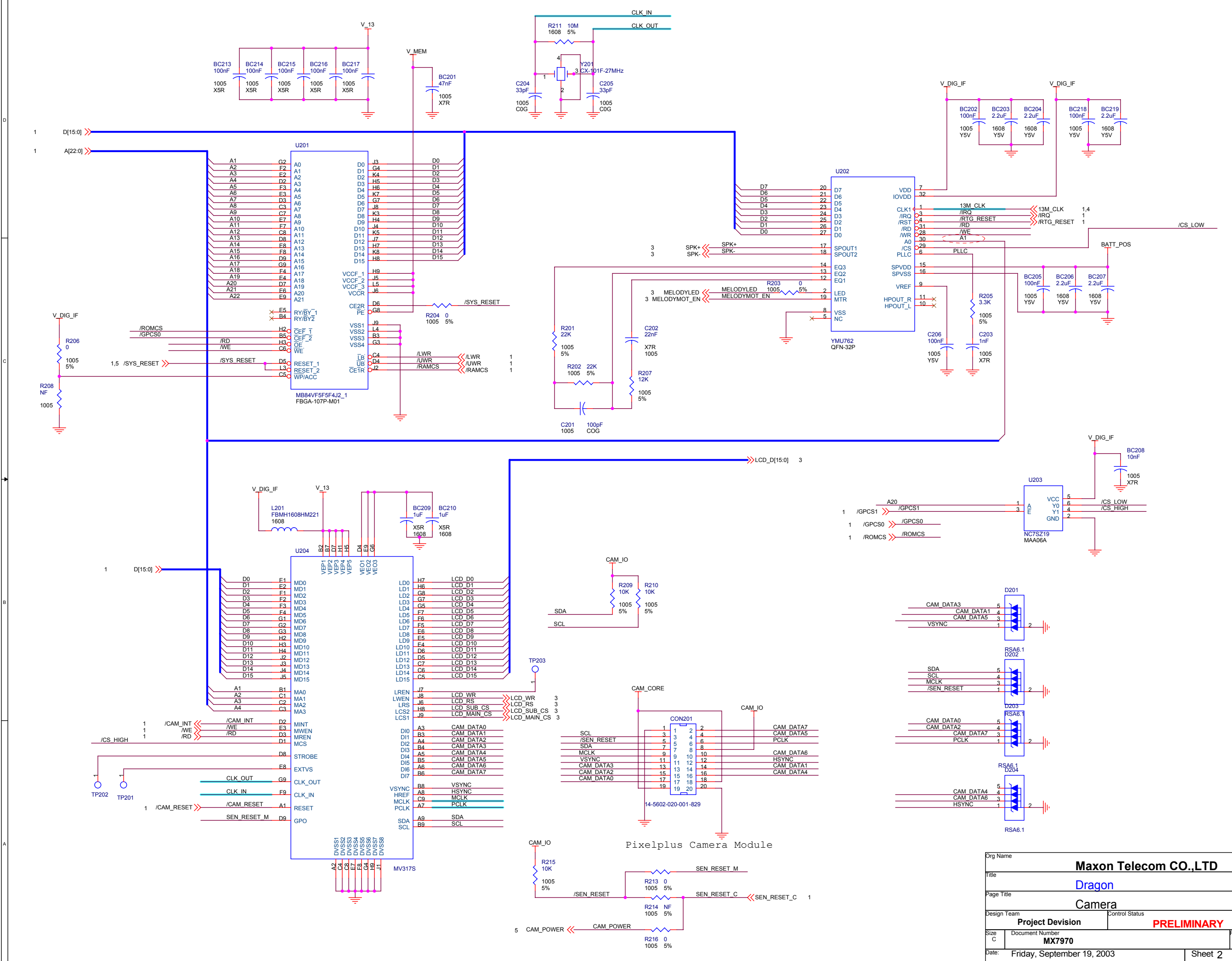
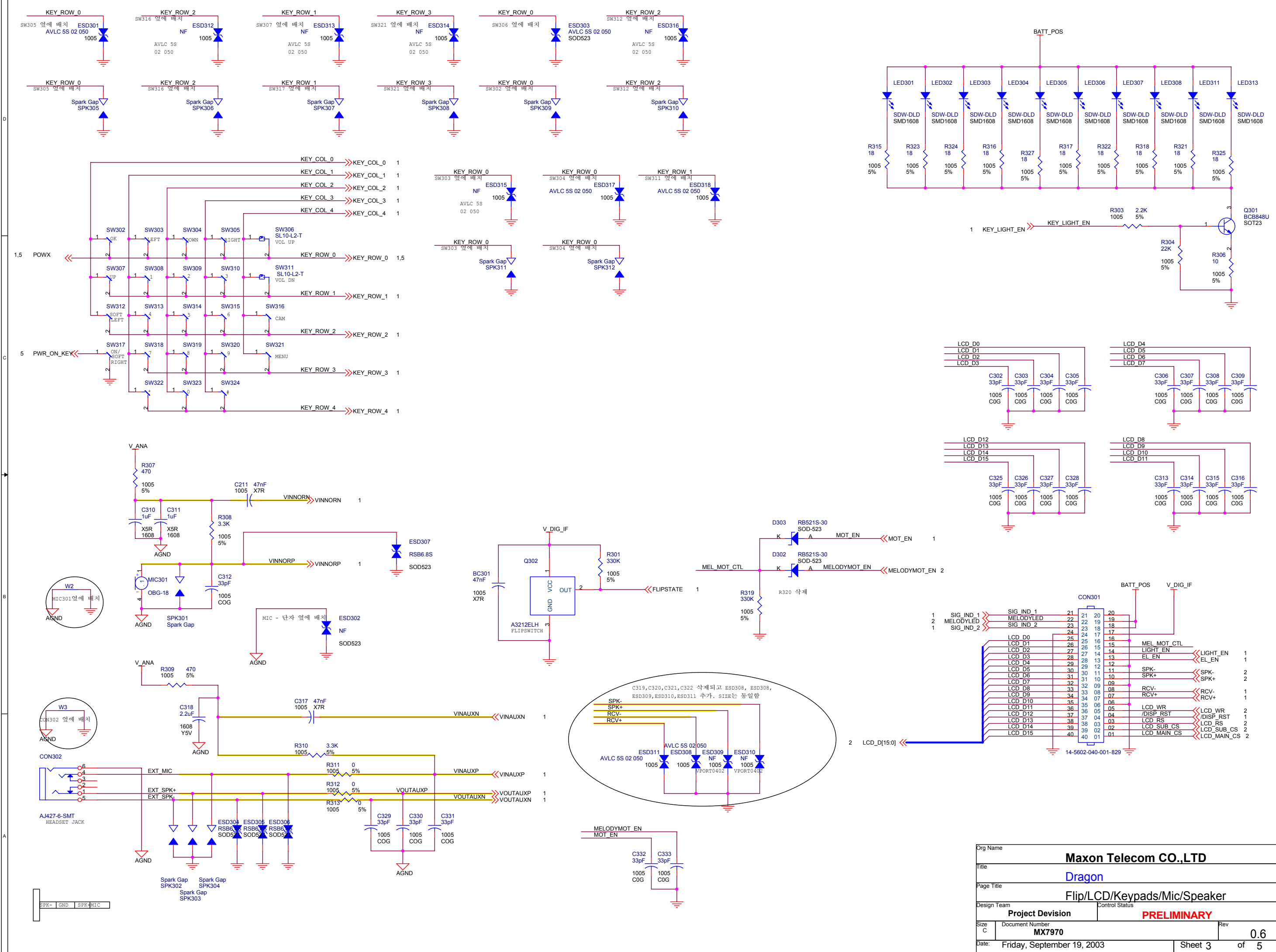


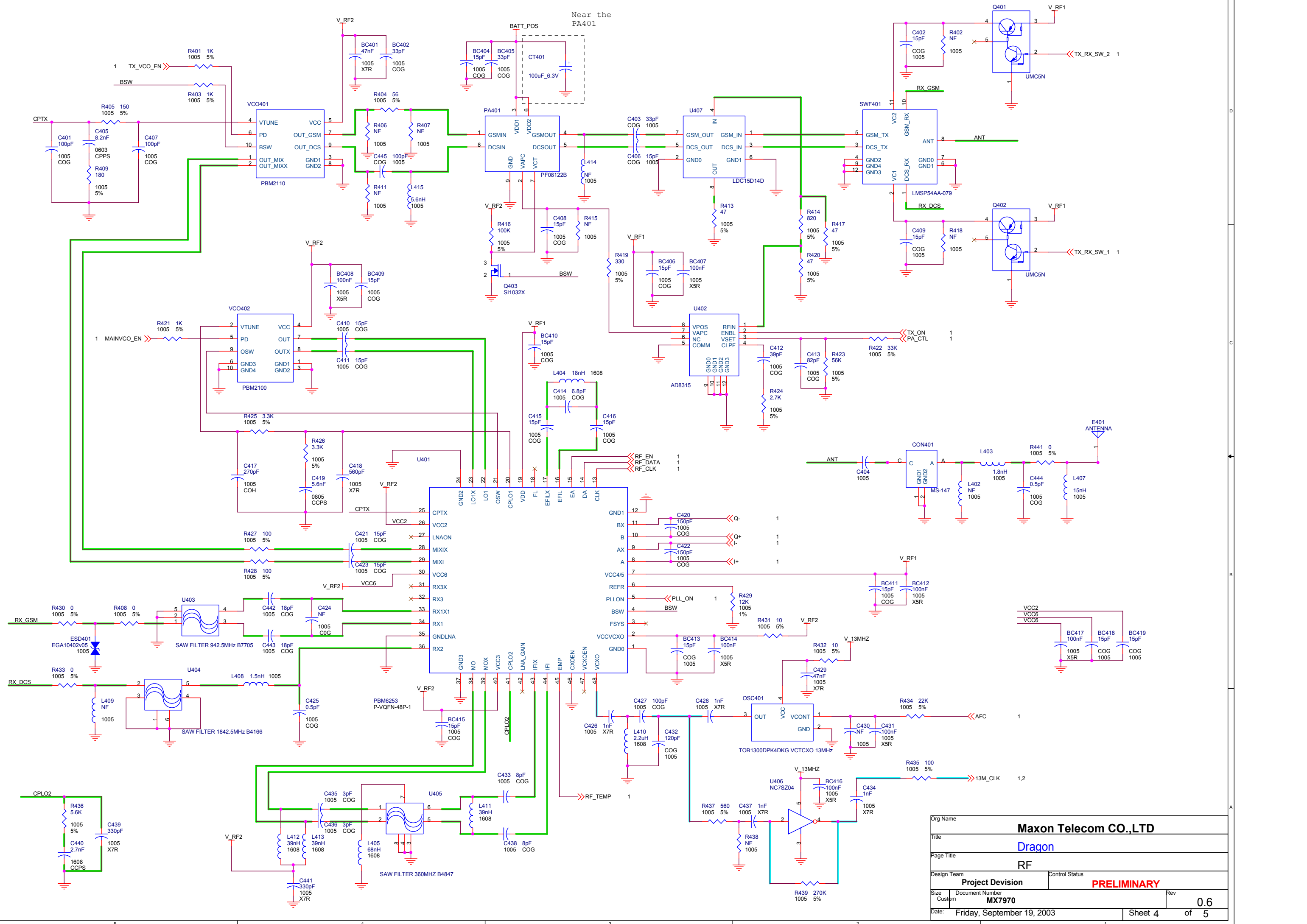
Org Name		Maxon Telecom CO.,LTD	
Title		Dragon	
Page Title		Baseband	
Design Team	Project Devison	Control Status	PRELIMINARY
Size C	Document Number	Rev	0.6
Date:	Friday, September 19, 2003	Sheet 1	of 5



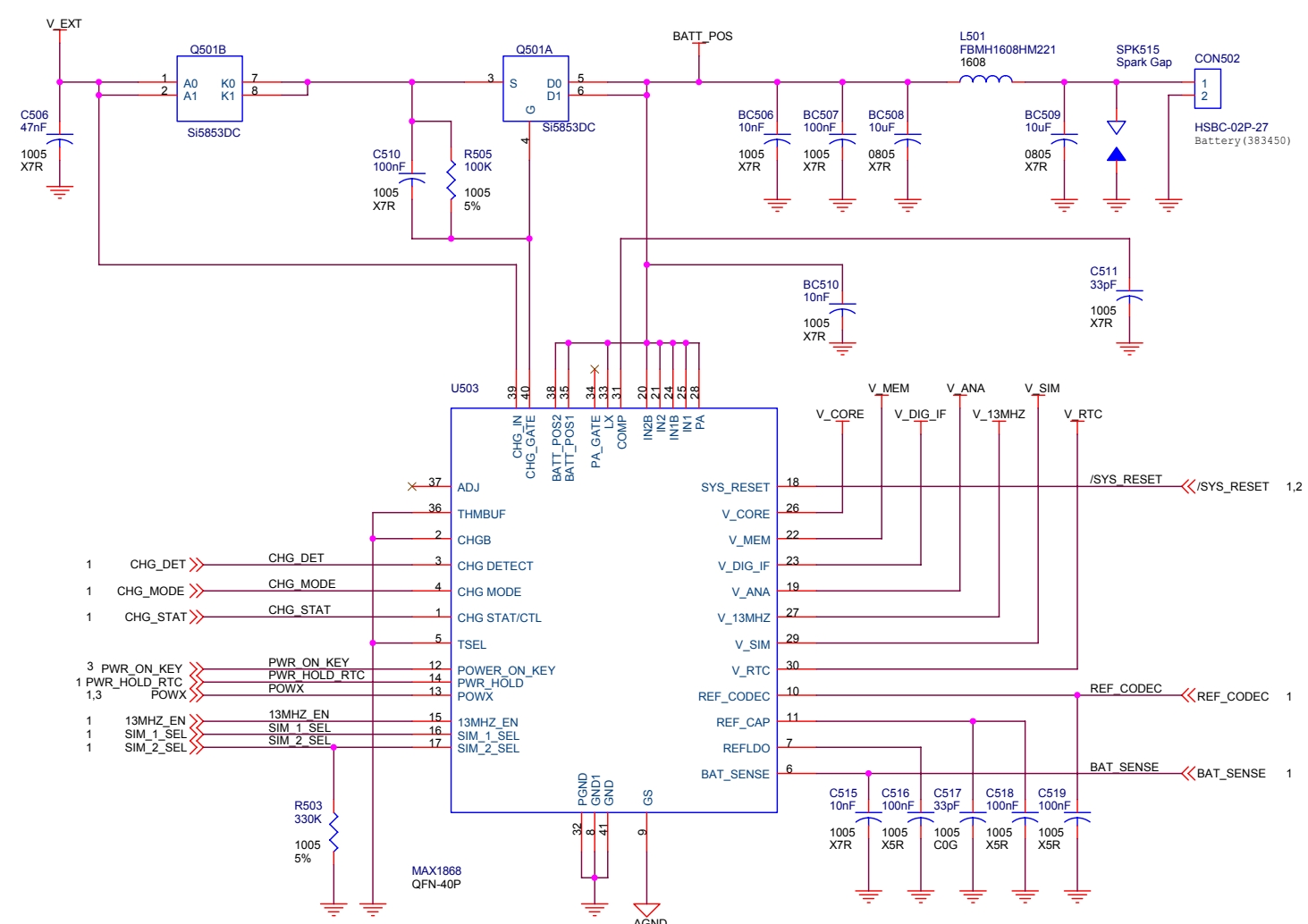
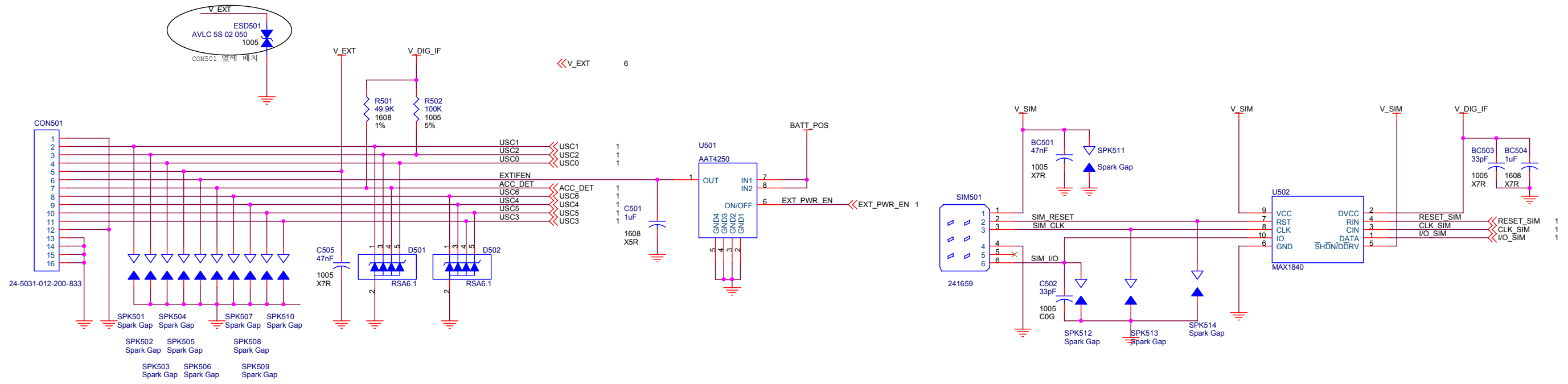
Org Name		Maxon Telecom CO.,LTD	
Title		Dragon	
Page Title		Camera	
Design Team		Project Devison	Control Status
Size		Document Number	Rev
C		MX7970	0.6
Date:	Friday, September 19, 2003	Sheet 2	of 5



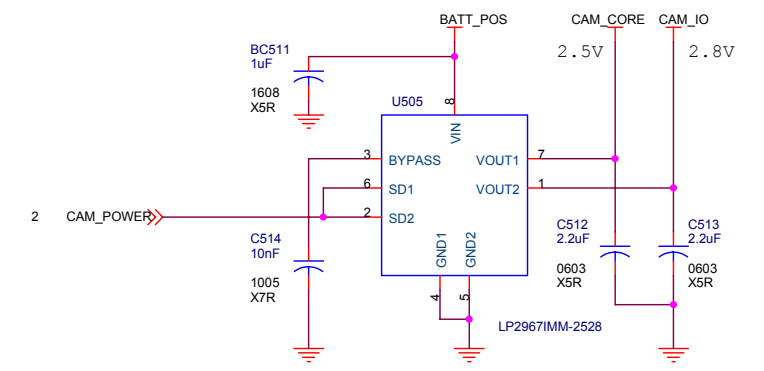
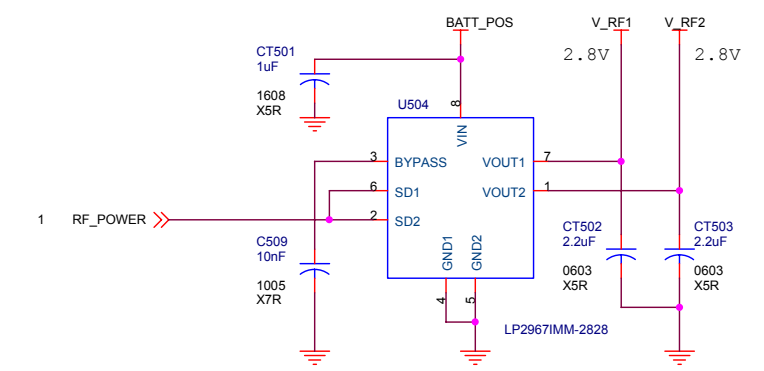
Org Name		Maxon Telecom CO.,LTD	
Title		Dragon	
Page Title		Flip/LCD/Keypads/Mic/Speaker	
Design Team		Project Devison	Control Status
Size C		Document Number	Rev
Date:		Friday, September 19, 2003	0.6
Sheet 3		of 5	



Org Name		Maxon Telecom CO.,LTD	
Title		Dragon	
Page Title		RF	
Design Team		Project Devison	Control Status
Size		MX7970	PRELIMINARY
Custom	Document Number		Rev
			0.6
Date:	Friday, September 19, 2003	Sheet 4	of 5



V_SIM:1.8V/3V 10mA
 V_CORE:2.45V 100mA
 V_13M:2.765V 5mA
 V_13M:2.76V 100mA
 V_RTC:2.45V 100uA/10mA
 V_DIG_IF:2.765V 60mA
 V_ANA:2.45V 300mA



Org Name		Maxon Telecom CO.,LTD	
Title		Dragon	
Page Title		Power/SIM	
Design Team		Project Devison	Control Status
			PRELIMINARY
Size C	Document Number	Rev	
	MX7970		0.6
Date:	Friday, September 19, 2003	Sheet 5	of 5