

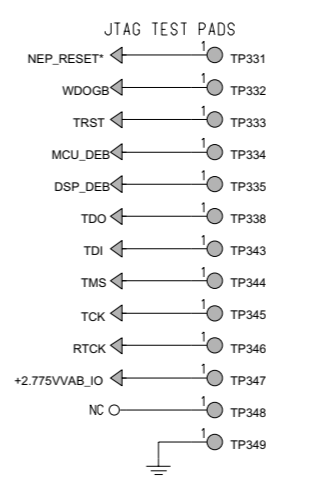
NOTES:
 L160 INTEGRATE WITH HDI
 POTENTIAL CAP ARRAY GROUPS:
 1. C804, C820
 2. C806, C807
 3. C808, C809, C818, C821
 4. C810, C811, C815, C816
 5. C915, C917, C938
 6. C931, C932
 7. C904, C907, C908
 8. C900, C901
 9. C825, C826

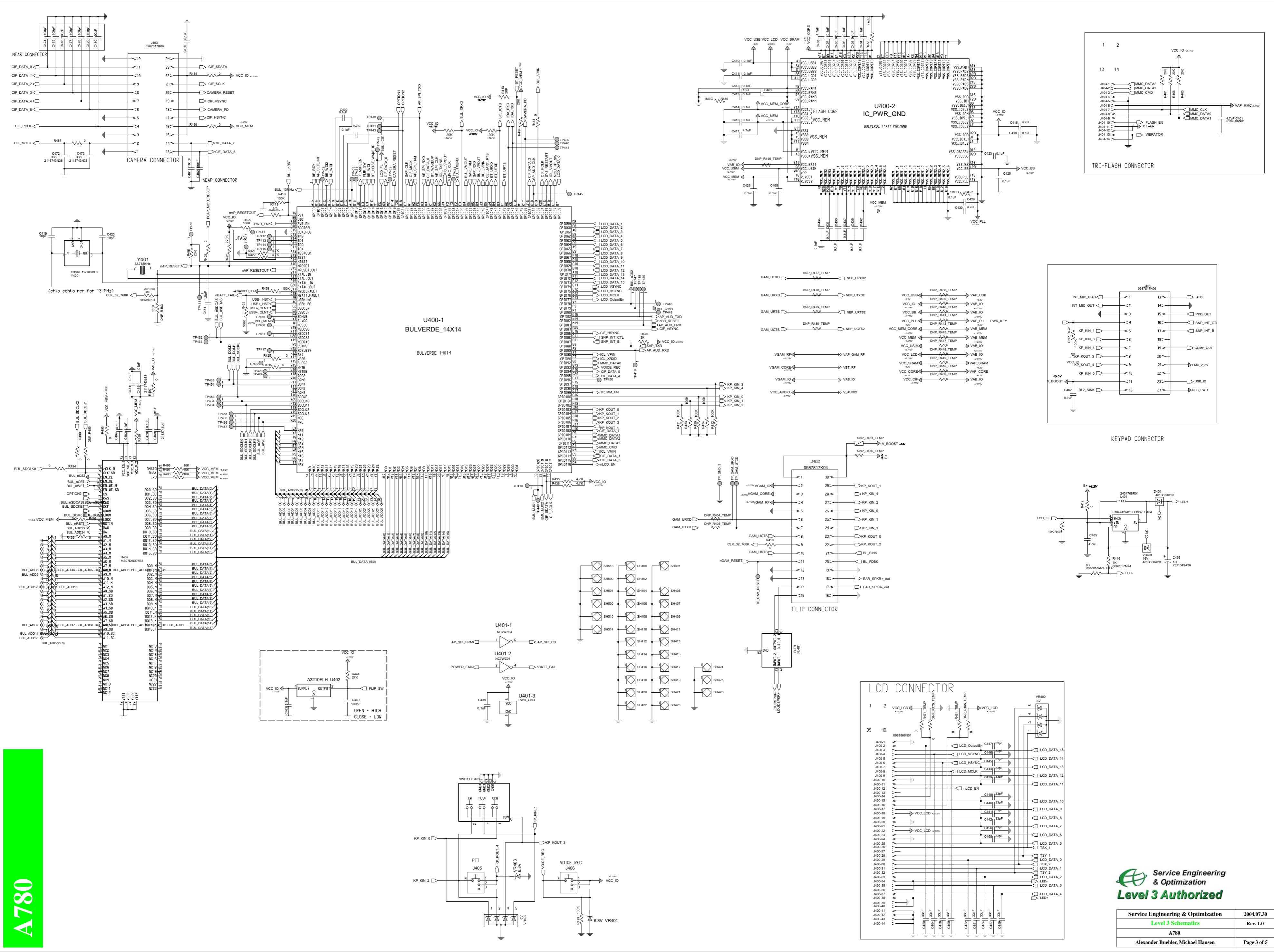
bypass caps should be close to the pins they are bypassing

Notes:
 1) WDOG pin header P910 needs to be removed
 2) MOD pull-down resistor needs to be placed (DNP_R810 to R810).
 3) DH28+ Net needs to be renamed to B+ (one place: U920-24.25,26).
 4) REMOVE DNP_R820 AND DNP_R821
 5) ADD SHIELDS SH200, SH300, SH400
 6) Delete sheet 2.

NOTE: PINS NAMES ON NEPTUNE 225 DISCONNECTED ON WING P2.5 VERSION:

A11 SRDA	H12 ECBB	N9 SP1_CS0
A13 STDA	B11 INTO	P9 SP1_CS1
A23 A23	H13 LBAB	R9 SP1_CS2
A15 BURSTCLK		





A780

