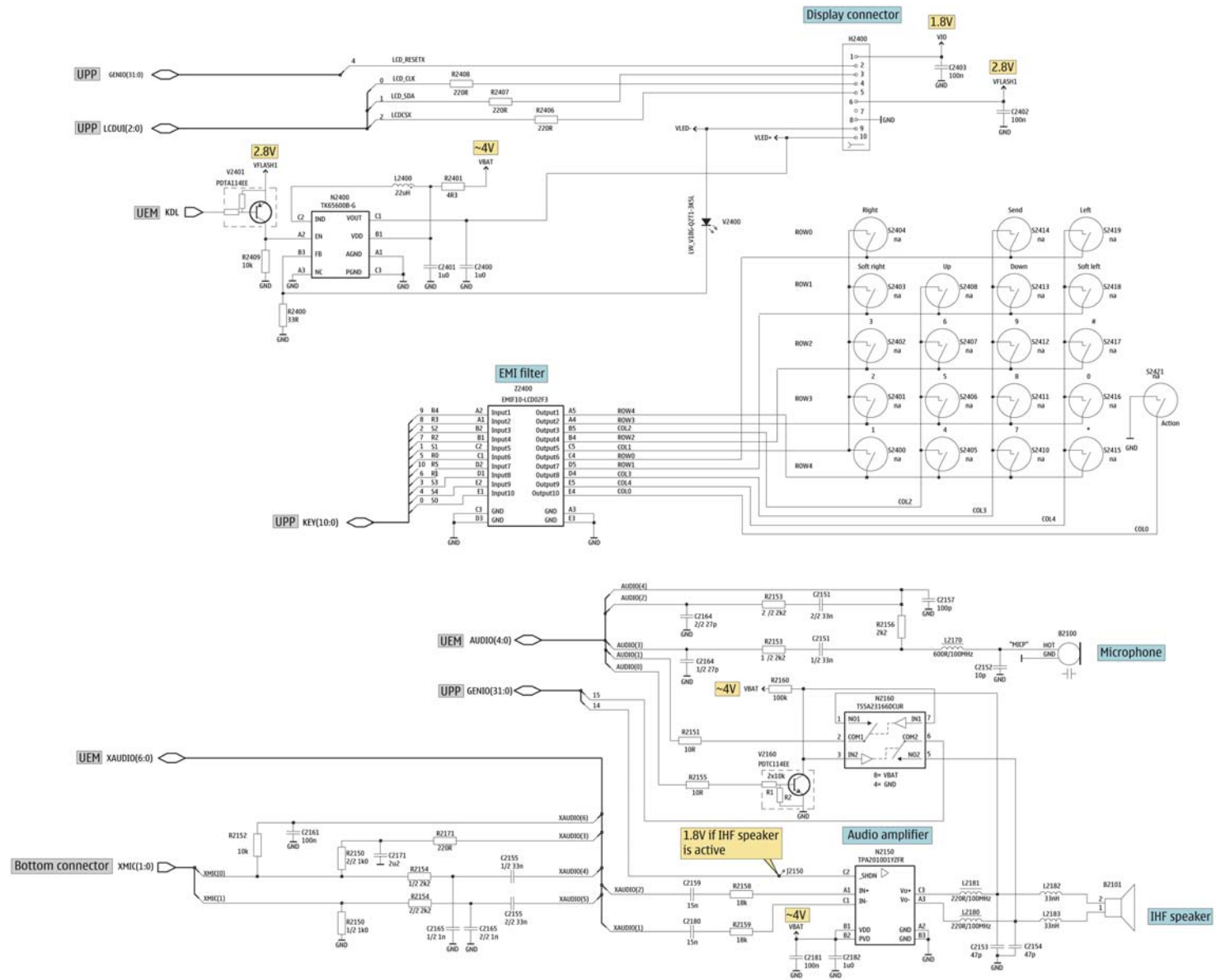
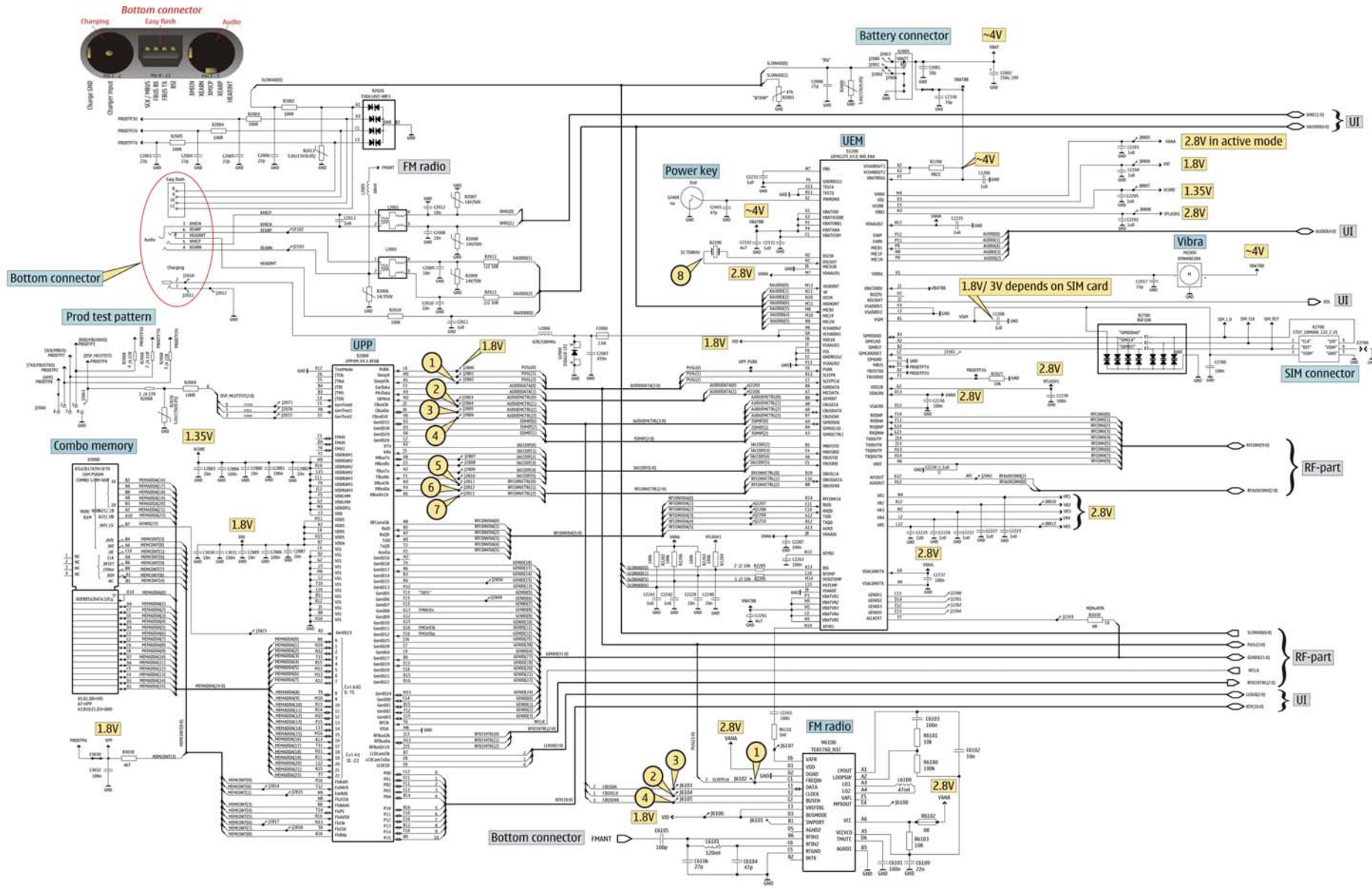


■ System connector, Keyboard and UI

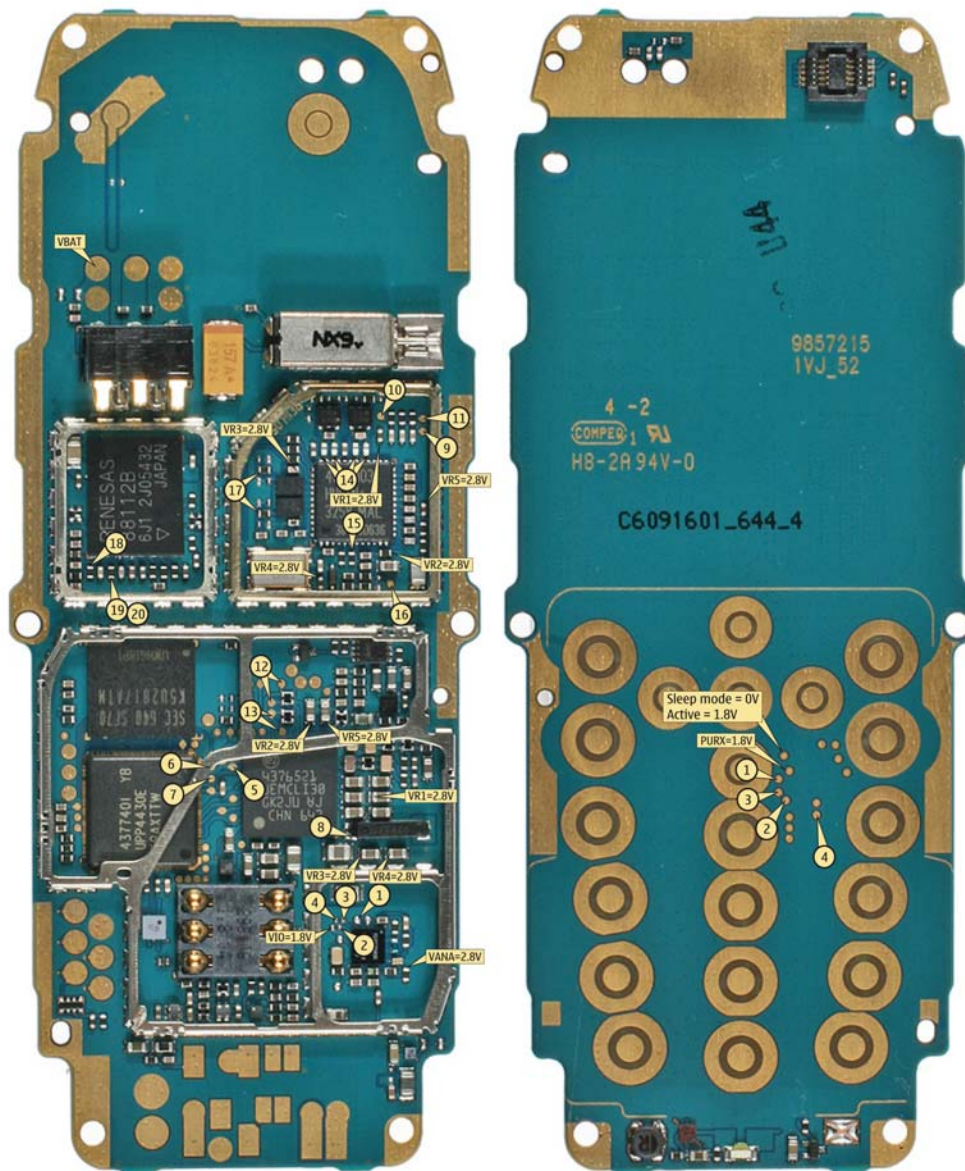
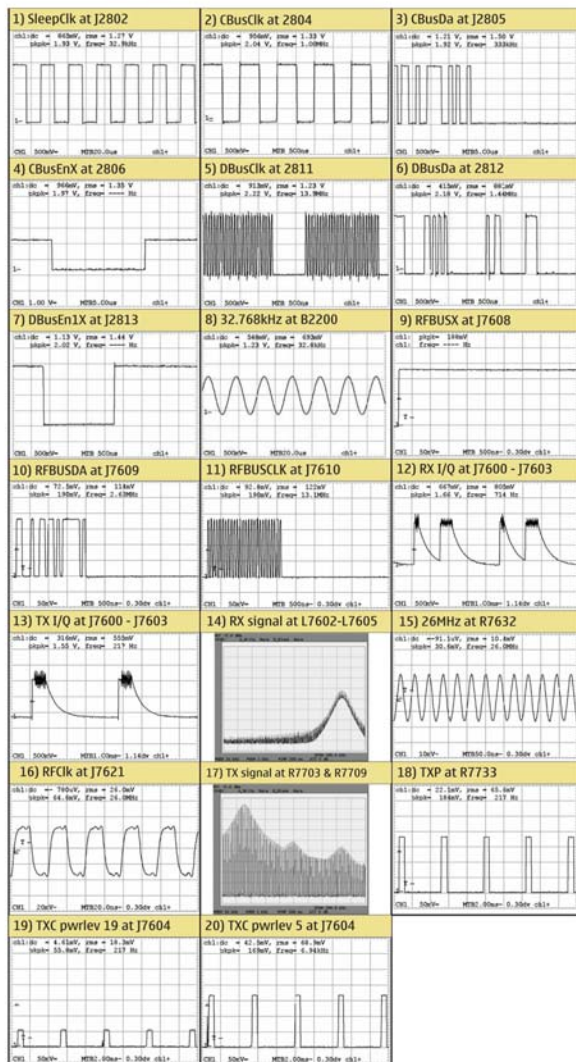


■ **RAP3G, SDRAM and Flash**





■ Signal Overview



■ Component finder

<b>B</b>	C2883	O2	J2001	F3	J7603	N5	R2200	P6	
B2200	07	C2884	02	J2002	F3	J7604	02	R2202	M7
B7600	K5	C2885	P3	J2003	F2	J7608	18	R2203	M7
<b>C</b>	C2886	P3	J2004	F4	J7609	H7	R2204	M6	
C2000	G3	C2887	02	J2010	T6	J7610	H8	R2205	M6
C2001	G2	C2900	K7	J2011	U4	J7621	K7	R2206	M7
C2002	G4	C3030	M2	J2012	T6	J8805	M5	R2207	L4
C2003	S5	C3031	M2	J2060	Q2	J8806	N2	R2400	U5
C2004	R5	C3032	M2	J2063	Q2	J8807	O4	R2401	U6
C2005	R5	C6101	R7	J2070	N2	J8808	M6	R2406	O2
C2006	R5	C6102	Q7	J2071	O2	J8810	M6	R2407	P2
C2007	S7	C6103	Q7	J2072	N2	J8813	M6	R2408	P2
C2008	R4	C6104	R7	J2102	T4	<b>L</b>		R2409	T4
C2009	R4	C6105	R7	J2103	S4	L2000	T7	R2700	P4
C2010	R5	C6106	R7	J2150	N4	L2001	R3	R2900	K7
C2011	S3	C6109	R7	J2200	N5	L2002	R4	R3030	M2
C2012	R4	C7604	I6	J2201	N5	L2005	R6	R6100	Q7
C2013	R3	C7607	I7	J2202	N5	L2170	S3	R6101	Q7
C2017	G5	C7610	I8	J2203	N4	L2180	M7	R6102	R7
C2151	N7	C7611	I7	J2204	M5	L2181	M7	R6103	R7
C2152	S3	C7612	I7	J2205	O4	L2182	B6	R6110	R6
C2153	B6	C7613	I7	J2206	O4	L2183	B6	R7605	K7
C2154	B7	C7614	I7	J2207	N4	L2400	U6	R7606	H7
C2155	N6	C7620	K7	J2208	N4	L6100	Q7	R7607	H6
C2157	O8	C7623	I7	J2209	N4	L6101	R7	R7609	K6
C2159	N7	C7624	J8	J2210	N4	L7602	I7	R7610	M5
C2161	N8	C7625	I6	J2800	N4	L7603	I7	R7611	M5
C2164	N6	C7627	J5	J2801	N4	L7604	I6	R7615	H8
C2165	N7	C7628	J5	J2802	N4	L7605	I6	R7616	H7
C2171	N8	C7630	K6	J2803	O3	<b>M</b>		R7617	H7
C2180	N7	C7634	I7	J2804	O4	M2000	G6	R7619	J8
C2181	M7	C7635	K6	J2805	O4	<b>N</b>		R7630	K6
C2182	M7	C7636	K6	J2806	O3	N2150	M7	R7631	K7
C2200	O7	C7637	K2	J2807	O4	N2160	L7	R7632	K6
C2202	O7	C7638	K2	J2808	O4	N2400	T6	R7633	K2
C2203	O7	C7639	I7	J2809	O4	N6100	Q7	R7635	K2
C2204	P5	C7641	I7	J2810	O4	N7600	I7	R7663	K8
C2205	P5	C7643	K6	J2811	N4	N7700	J3	R7700	I5
C2208	P4	C7644	I7	J2812	N4	<b>R</b>		R7701	I5
C2220	M7	C7645	I7	J2813	N4	R2000	G3	R7703	I5
C2222	P7	C7655	I5	J2814	N3	R2001	R3	R7704	K3
C2223	O7	C7656	J5	J2815	N3	R2002	R5	R7705	K3
C2225	M6	C7657	K7	J2817	N3	R2003	R5	R7706	K3
C2226	P7	C7658	I7	J2818	N3	R2004	R5	R7707	I5
C2227	M6	C7659	I6	J2823	N4	R2005	S5	R7709	I5
C2230	O7	C7668	I6	J2840	P4	R2006	R5	R7710	I4
C2233	O7	C7669	K8	J2841	P4	R2007	R4	R7711	I4
C2235	M7	C7700	K3	J2842	P4	R2008	S4	R7714	J2
C2236	M5	C7701	K3	J2843	P4	R2009	R4	R7720	K4
C2237	M5	C7702	K4	J2844	P4	R2010	S3	R7732	K2
C2239	P5	C7711	J2	J2845	P4	R2011	R4	R7733	K2
C2240	M6	C7712	I4	J2846	P4	R2013	R5	<b>V</b>	
C2241	M6	C7713	J2	J2847	M5	R2020	R5	V2000	S7
C2242	M6	C7714	K3	J2848	O2	R2027	R5	V2160	L6
C2261	P6	C7720	K4	J2849	O2	R2030	M4	V2400	U5
C2262	Q6	C7725	K3	J2850	M4	R2068	R2	V2401	U3
C2287	M5	C7726	J2	J2992	M5	R2069	S2	V7600	K6
C2330	G2	C7727	K2	J3361	P5	R2070	S2	<b>X</b>	
C2331	P5	C7728	K2	J6100	Q6	R2150	N7	X2005	G3
C2332	P5	<b>D</b>		J6101	Q7	R2151	L7	X2700	O4
C2400	U4	D2200	O5	J6102	Q7	R2152	N7	<b>Z</b>	
C2401	U5	D2800	O3	J6103	Q6	R2153	N7	Z2400	O3
C2402	C2	D3000	M3	J6104	Q6	R2154	N7	Z7600	H6
C2403	C2	<b>F</b>		J6105	Q6	R2155	L6	Z7602	H7
C2405	P5	F2000	T7	J6106	Q6	R2156	O7	Z7603	J5
C2700	R4	<b>H</b>		J6107	R6	R2158	N7	Z7604	J5
C2880	O4	H2400	C3	J7600	M5	R2159	N7		
C2881	P3	<b>J</b>		J7601	M5	R2160	L6		
C2882	P3	J2000	F2	J7602	M5	R2171	N8		

