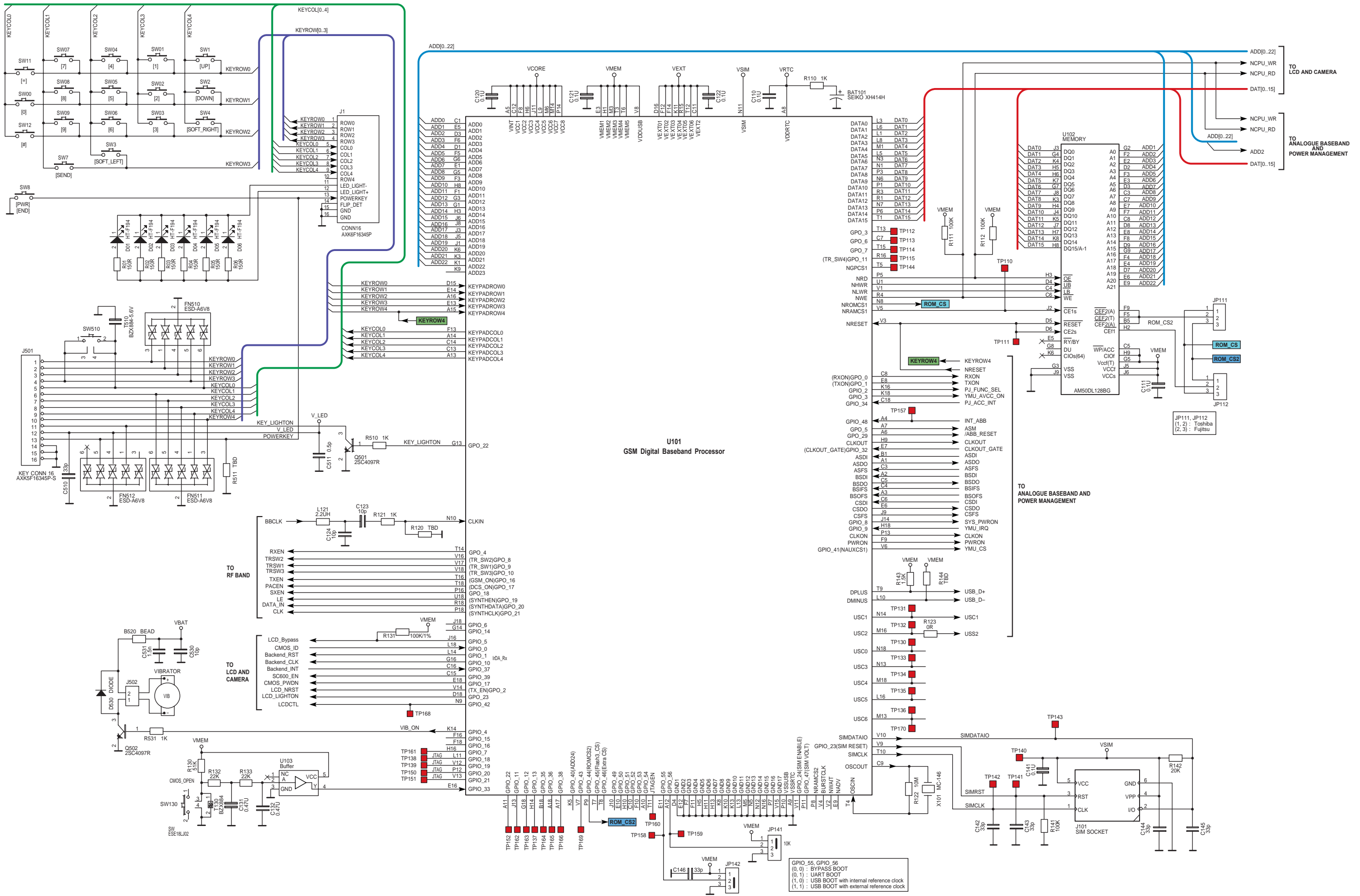
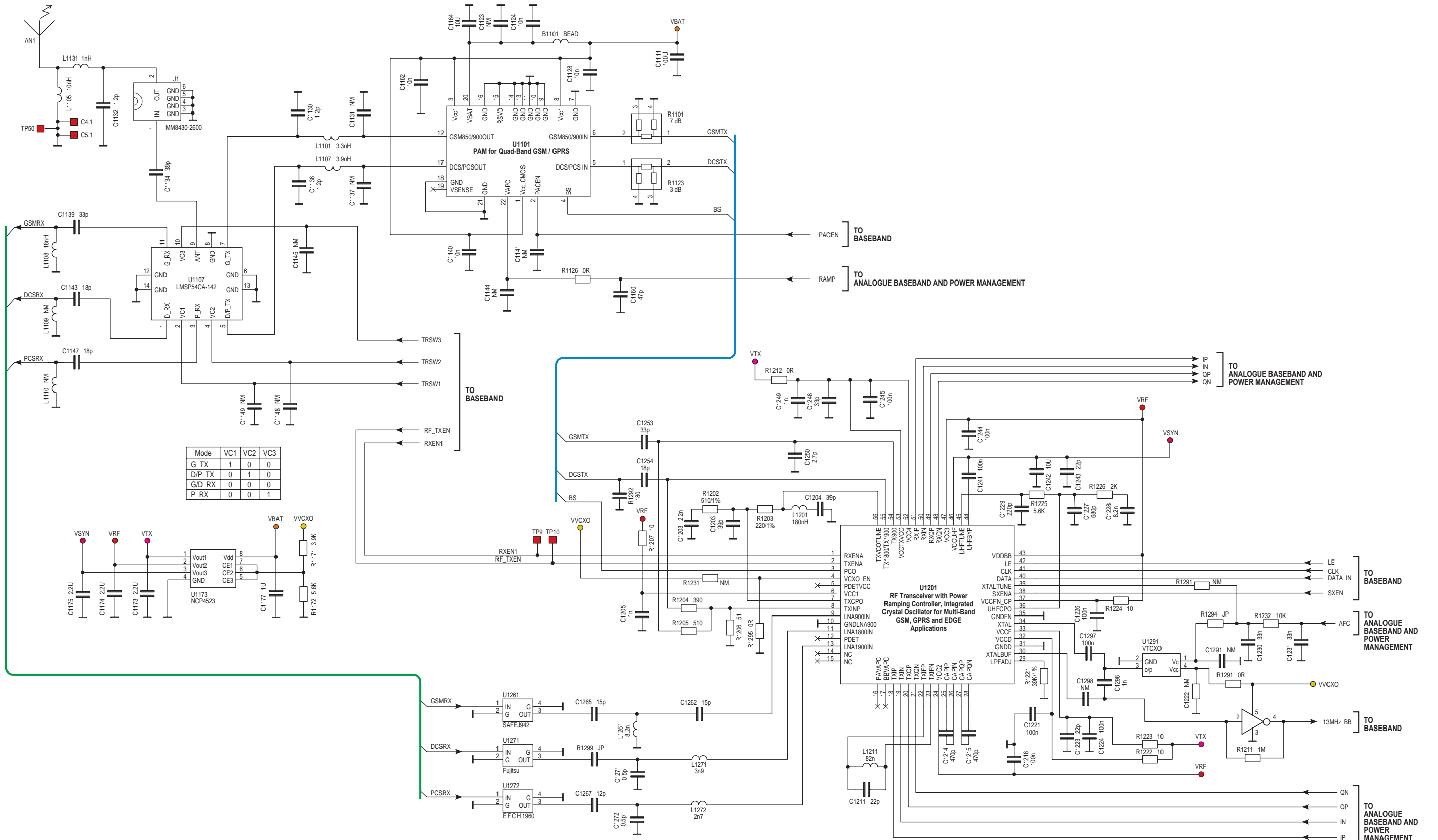


11. CIRCUIT DIAGRAM

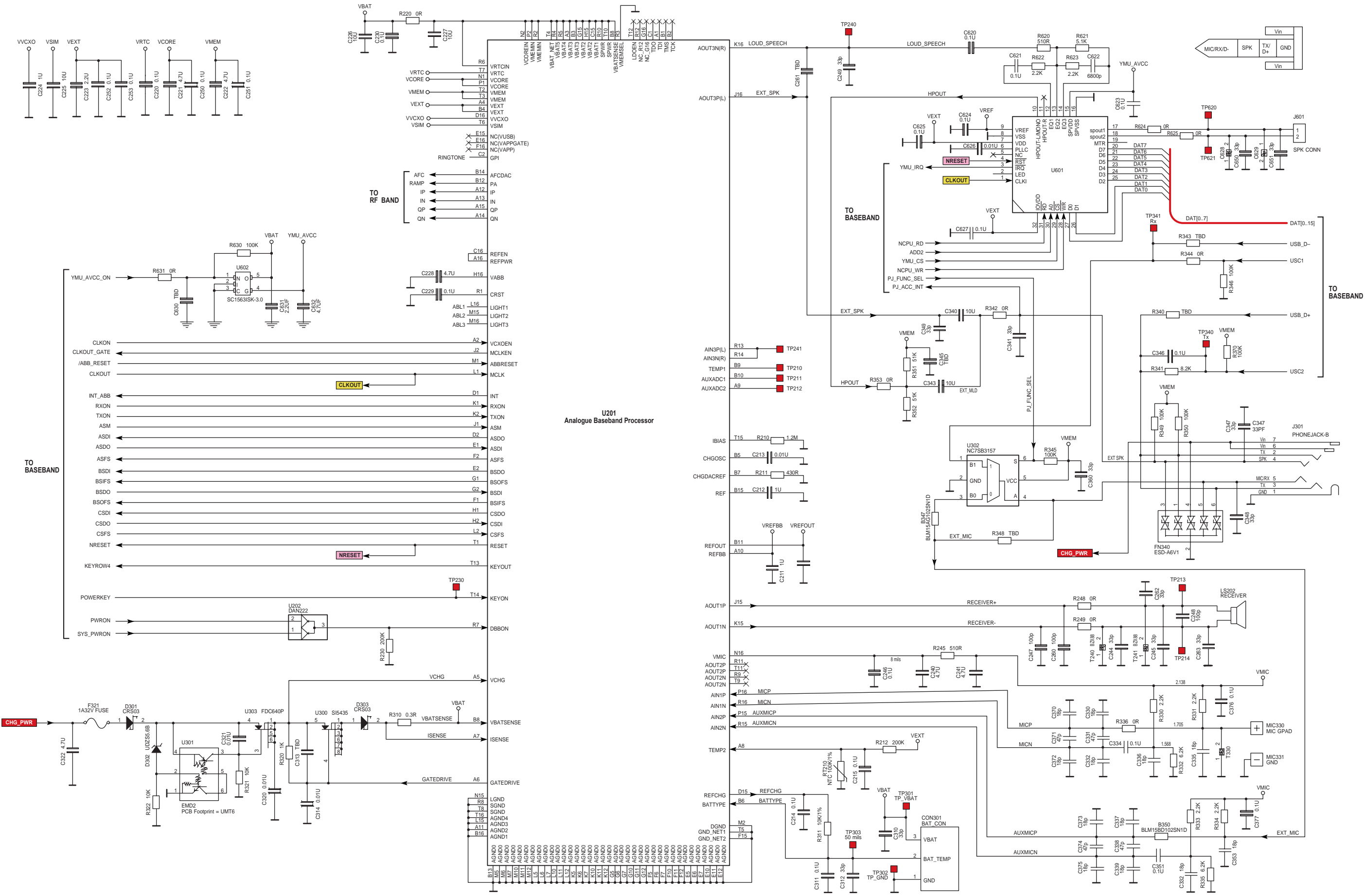
11.1. Baseband



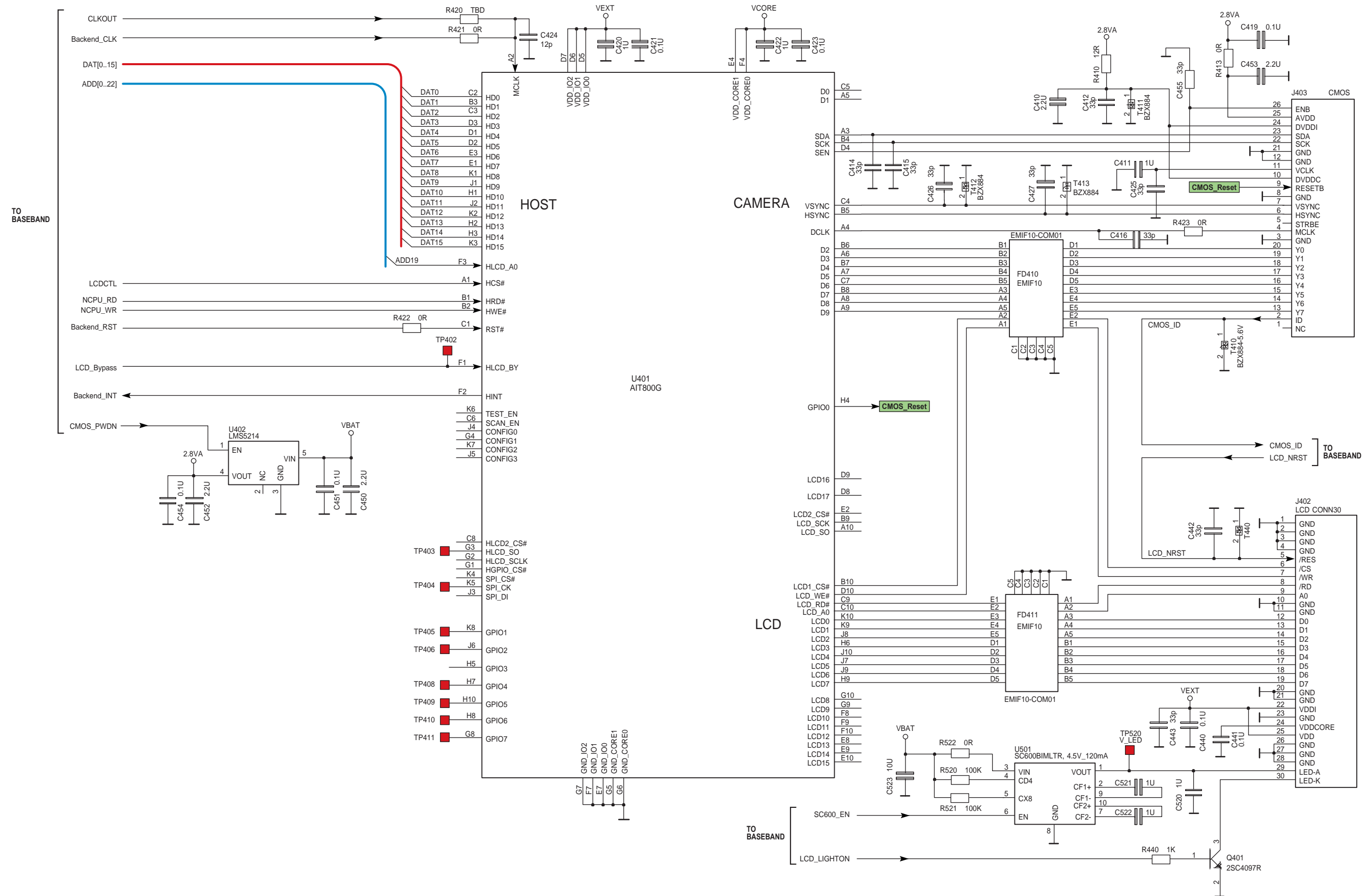
11.2. RF Band



11.3. Analogue Baseband and Power Management



11.4. LCD and Camera



12. LAYOUT DIAGRAM

12.1. Main PCB

[TOP VIEW]



[BOTTOM VIEW]

