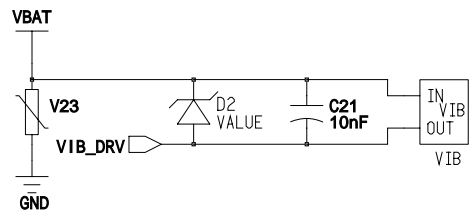
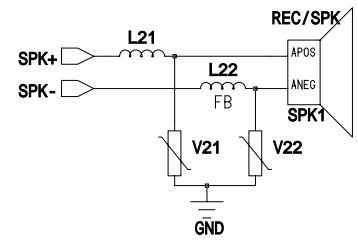
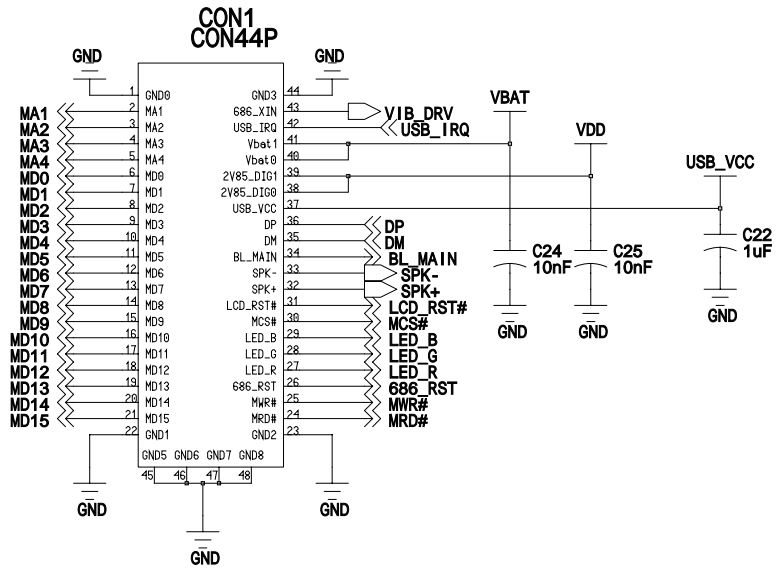


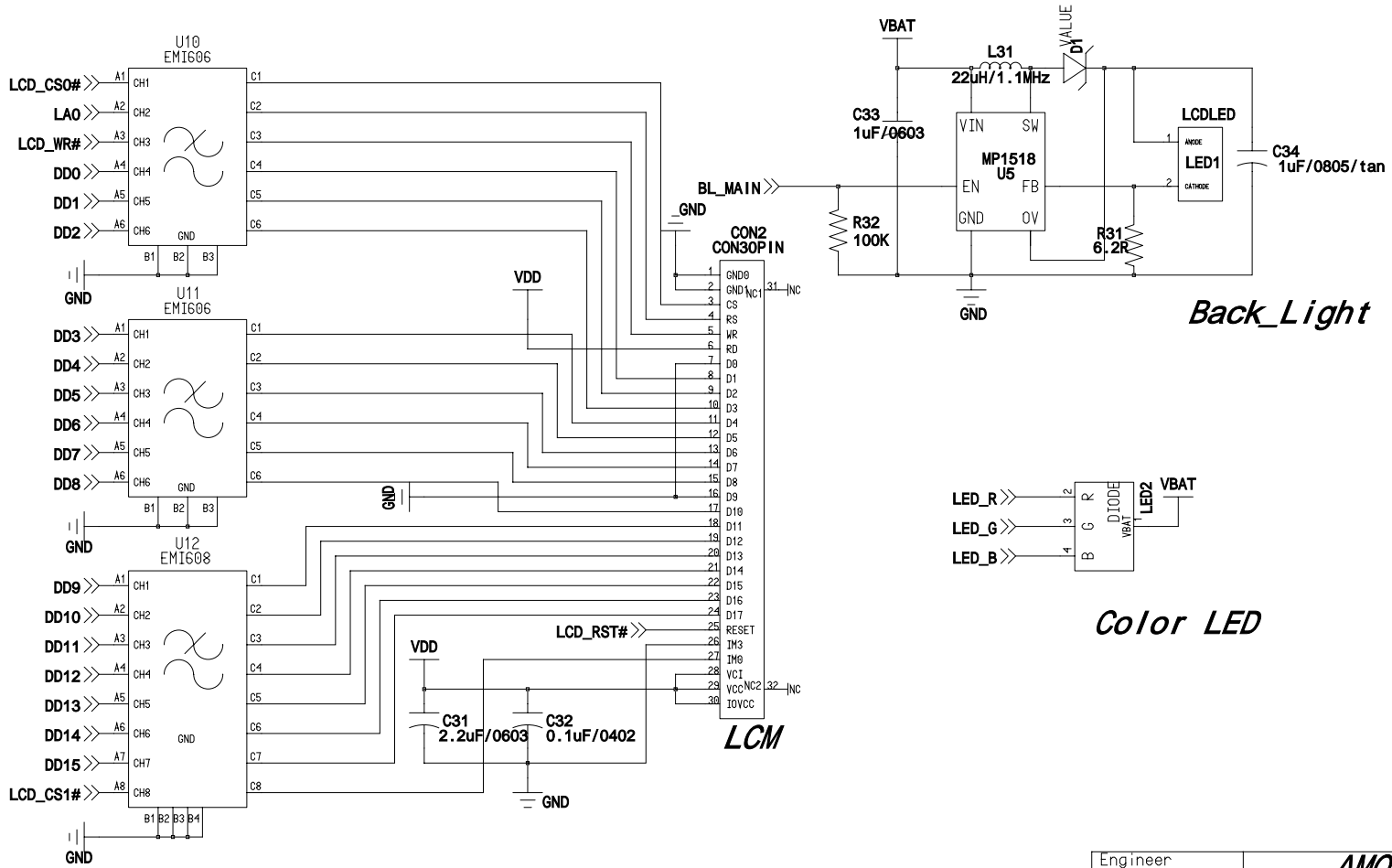
WINBOND

Engineer		AM01 Mobile	
Drawn by	Alex	Xinyang, Haicang	
R&D CHK		Xiamen	
TITLE:		GSM6510_v3.2	Size 13
DOC CTRL CHK		Camera LCD Module	
MFG ENGR CHK			
Changed by	Date Changed	Time Changed	QA CHK
	2004/10/29	7:26:47 pm	
REV	Drawing Number	Sheet	of



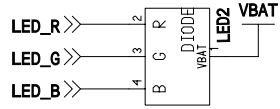
Engineer	AMO1 MOBILE Xiamen		Size:	
Drawn by Atex			TITLE	A4
R&D CHK			GSM6510_v3.2	
DOC CTRL CHK			B2B	
MFG CTRL CHK			REV	1.0.1
QA CHK	Drawing Number	Sheet 2	of 5	

Changed by _____ Date Changed 2004/10/29 Time 3:14:49 pm



Back_Light

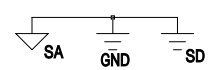
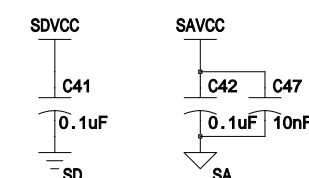
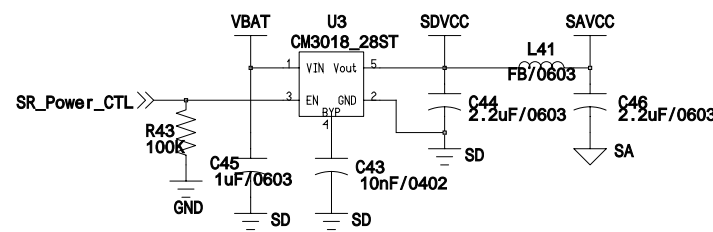
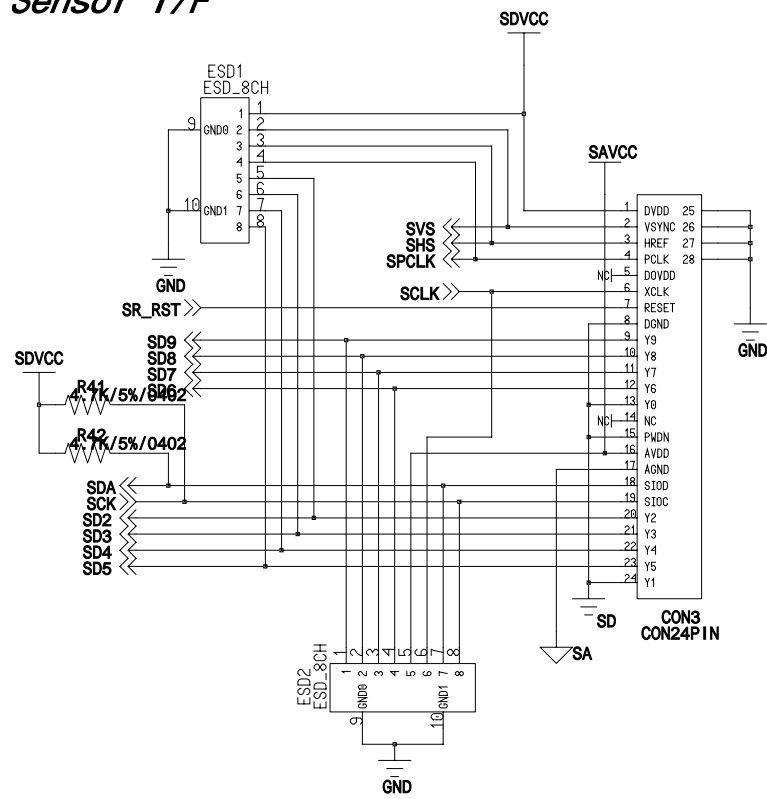
Color LED



Engineer	AMO1 MOBILE Xiamen		Size: A4	
Drawn by Atex				
R&D CHK				TITLE
DOC CTRL CHK				GSM6510_v3.2 LCM
MFG CTRL CHK				

Changed by	Date Changed 2004/10/29	Time 3:14:08 pm	QA CHK	REV 1.0.1	Drawing Number	Sheet 3 of 5
------------	----------------------------	--------------------	--------	--------------	----------------	--------------

Sensor I/F



Engineer	AMO1 MOBILE Xiamen GSM6510_v3.2 SENSOR		Size:	
Drawn by			Alex	A4
R&D CHK			TITLE	
DOC CTRL CHK				
MFG CTRL CHK				
Changed by	Date Changed	Time	QA CHK	
	2004/10/29	3:21:37 pm	REV 1.0.1	
			Drawing Number	
			Sheet 4 of 5	

1

2

3

4

5

6

A

A

B

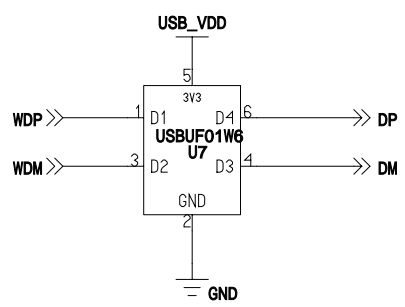
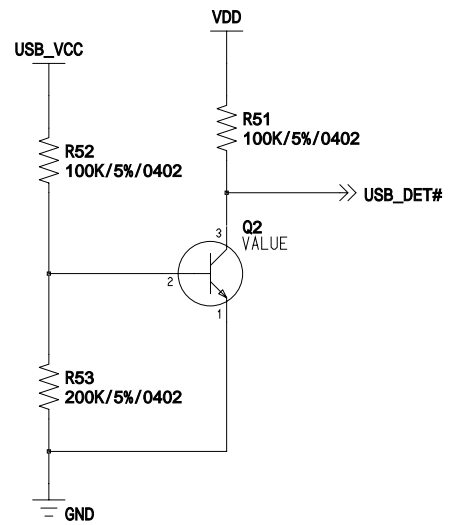
B

C

C

D

D



Engineer	AMOI MOBILE <i>Xiamen</i>	GSM6510_v3.2 USB	Size: A4
Drawn by Alex			
R&D CHK			
DOC CTRL CHK			
MFG CTRL CHK			
QA CHK	REV 1.0.1	Drawing Number	Sheet 5 of 5

Changed by	Date Changed 2004/10/29	Time 7:27:41 pm
------------	----------------------------	--------------------

1

2

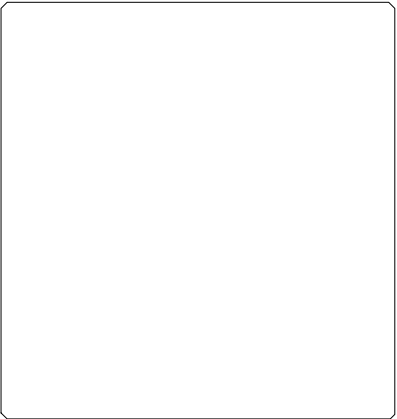
3

4

5

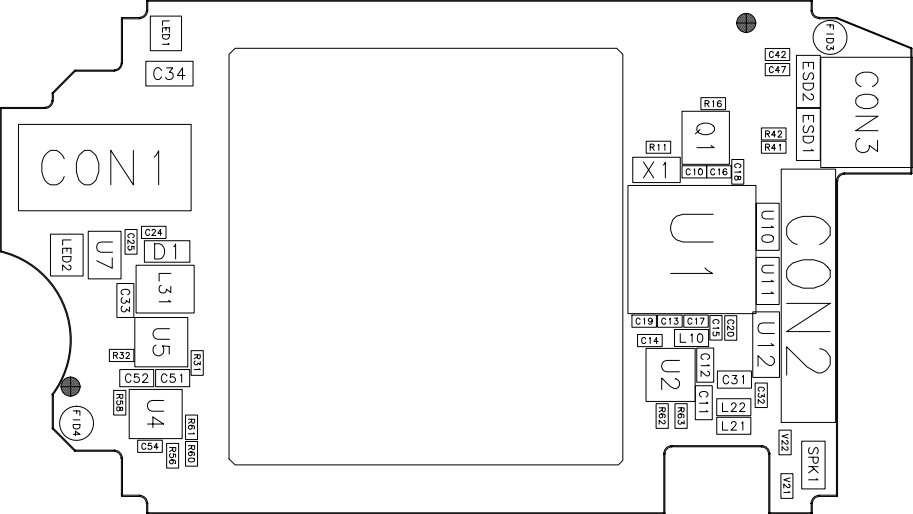
6

C46
C44
L41
C45
C41
U3
R43 C43



R31
Q2
C22
R53 R52
D2
C21
V23
V1B





CON3

ESD2 ESD1

CON2

SPK1

C42
C47

R42
R41

U10
U11

U12

V22

V21

R16

Q1

R11

X1

C10
C16

C18

U1

C19
C13

C17

C20

C15

L10

C14

C31

L22

L21

U2

C12

C11

R62

R63

LED1

C34

CON1

LED2

U7

C25

D1

L31

C33

U5

R32

C52

C51

U4

R58

C54

R61

R60

R56

F1D4

F1D3