

RF
RF.Sch

AUDIO_KEYPAD
AUDIO_KEYPAD.Sch

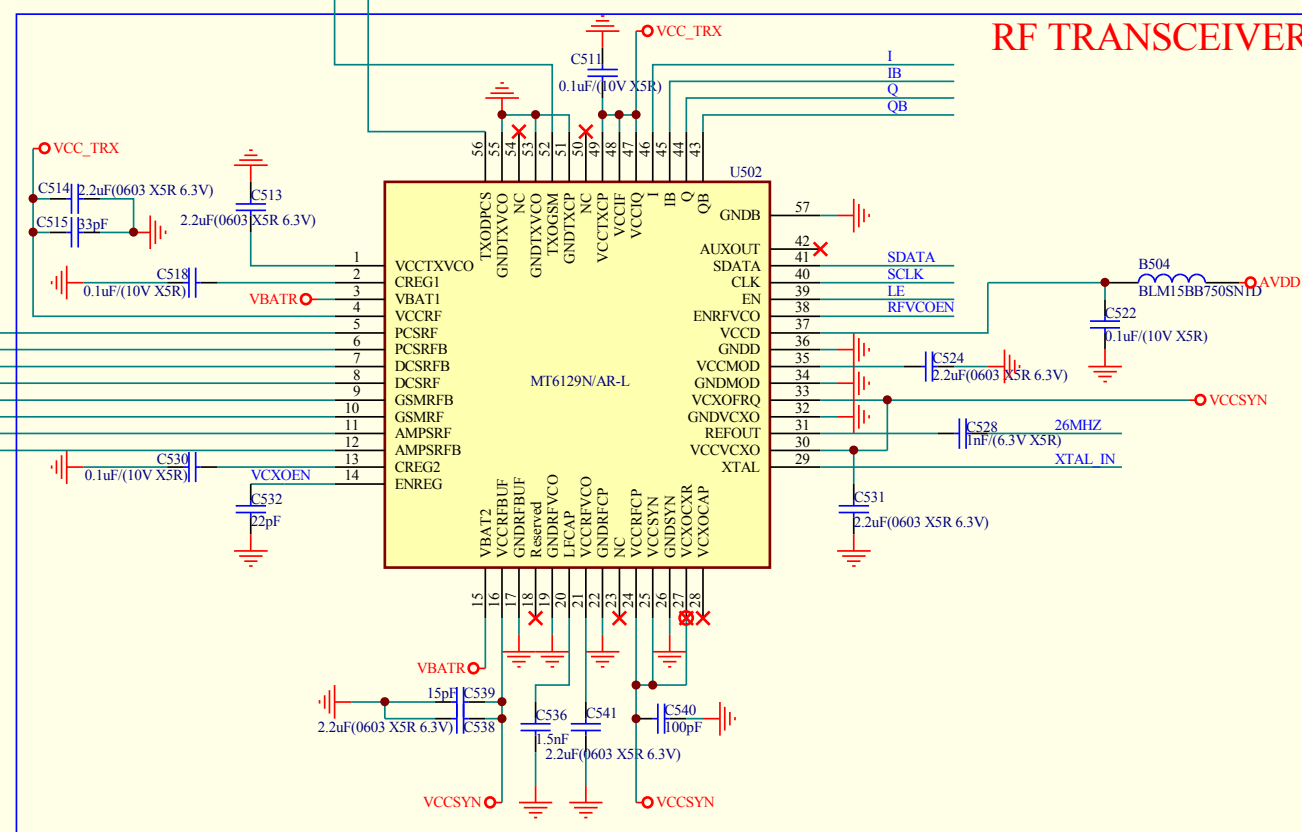
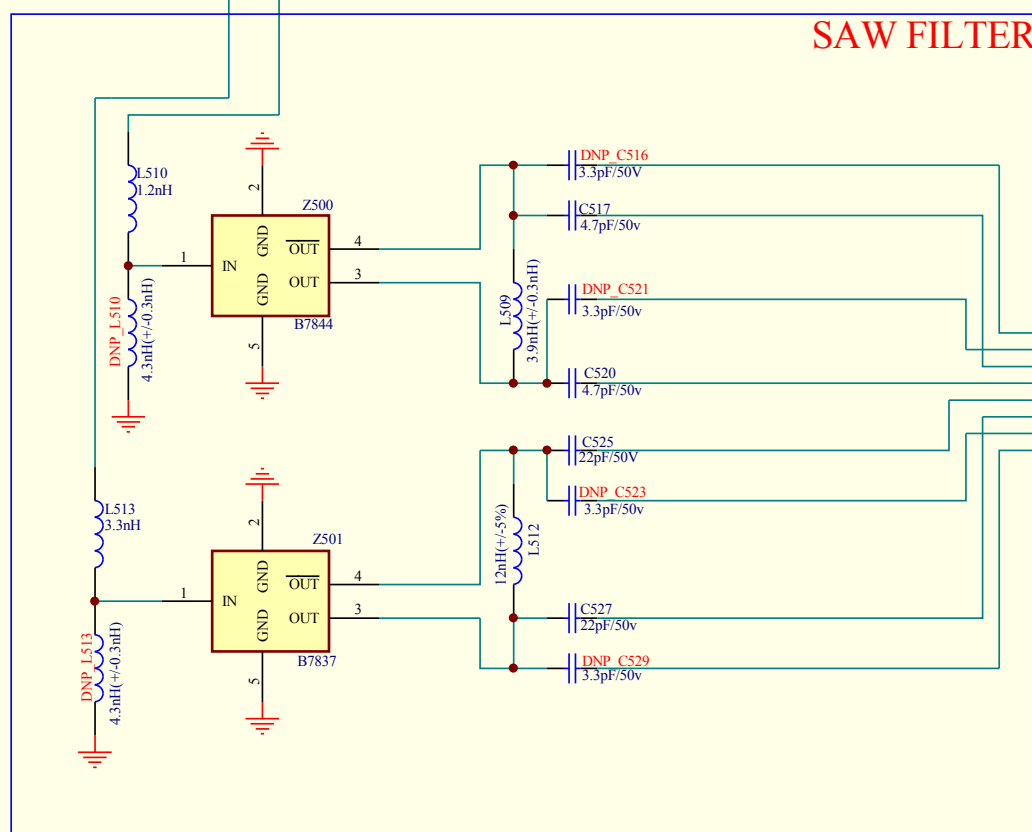
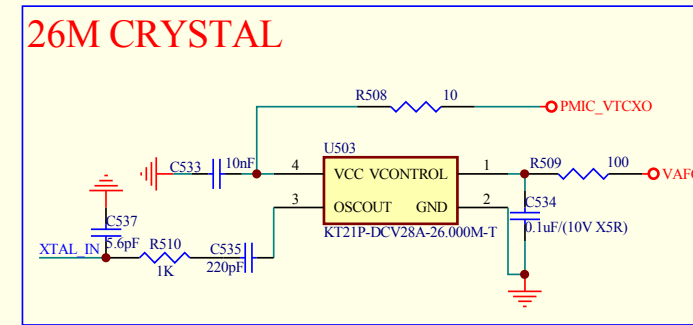
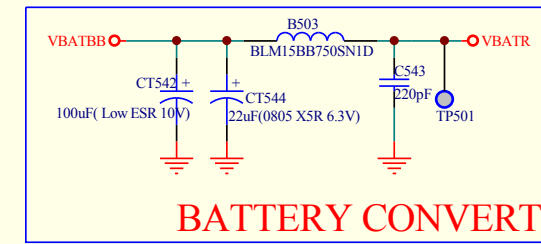
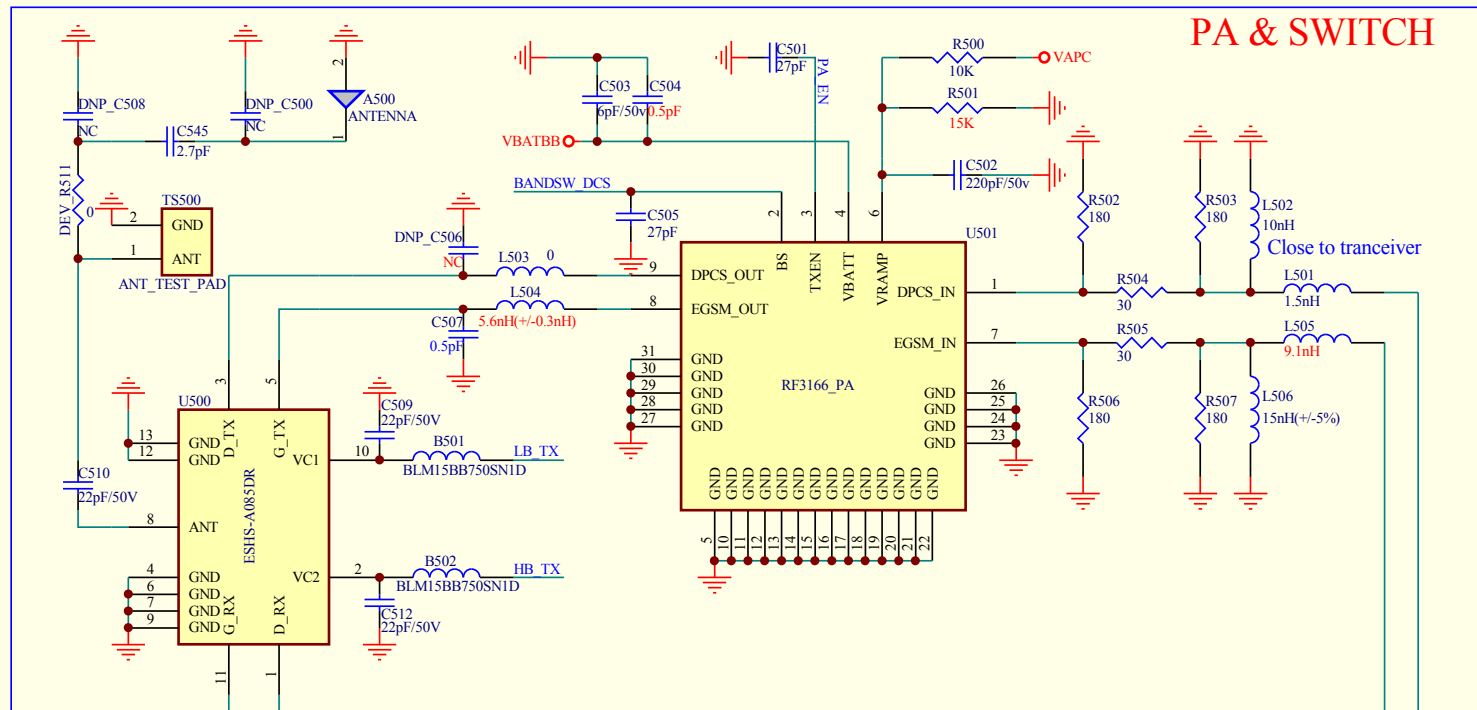
DSP_MT6227
DSP_MT6227.Sch

PMU
PMU.Sch

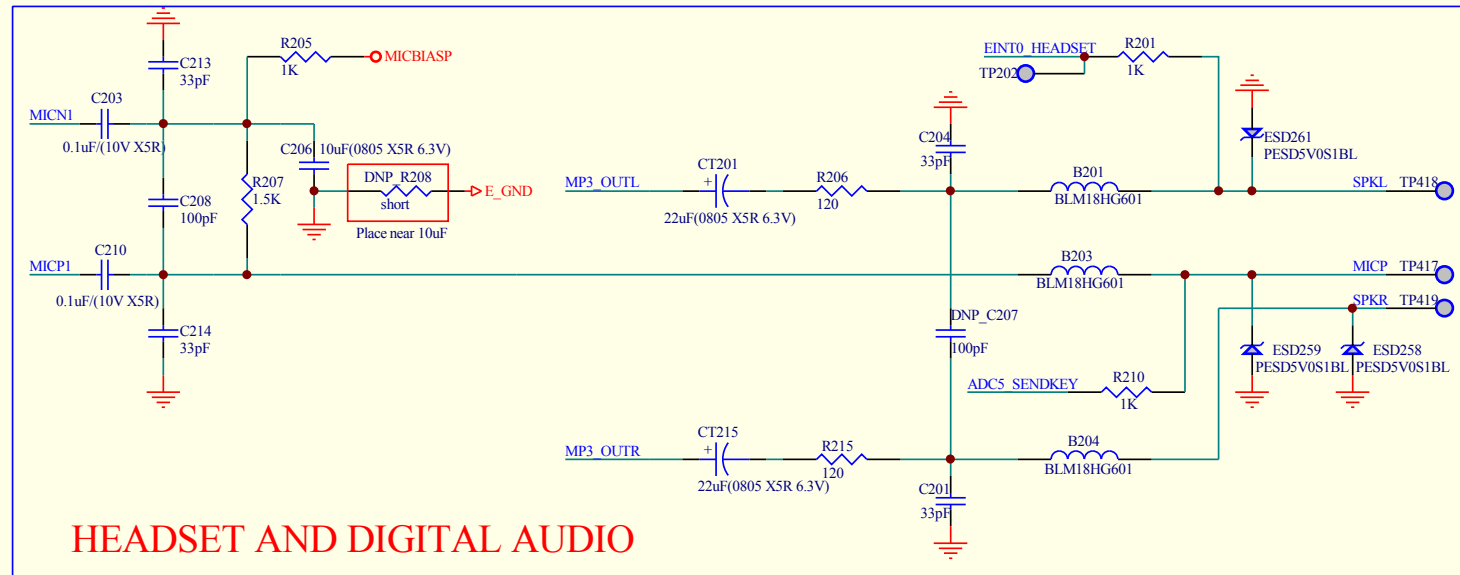
Memory
Memory.Sch

CAM_LCD
CAM_LCD.Sch

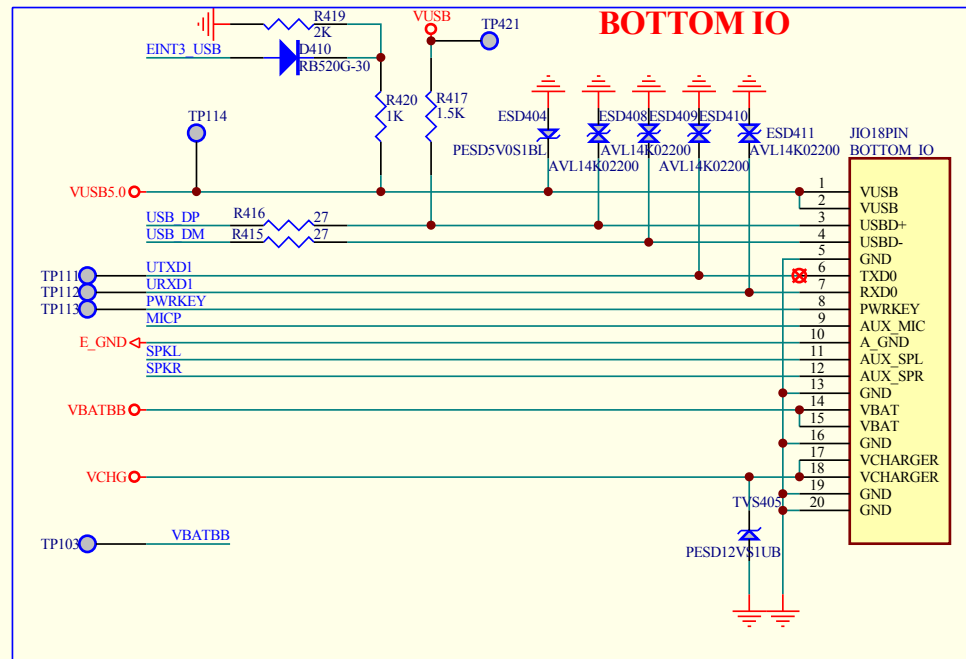
Project:		MX2006B1 MOBILE PHONE		NSBRD	
Size:	A3	Title:	MX2006B1 PROJECT		
Drawn by:		Date:	2006-07-17	Sheet:	1 of 7
Checked by:		Signed by:			



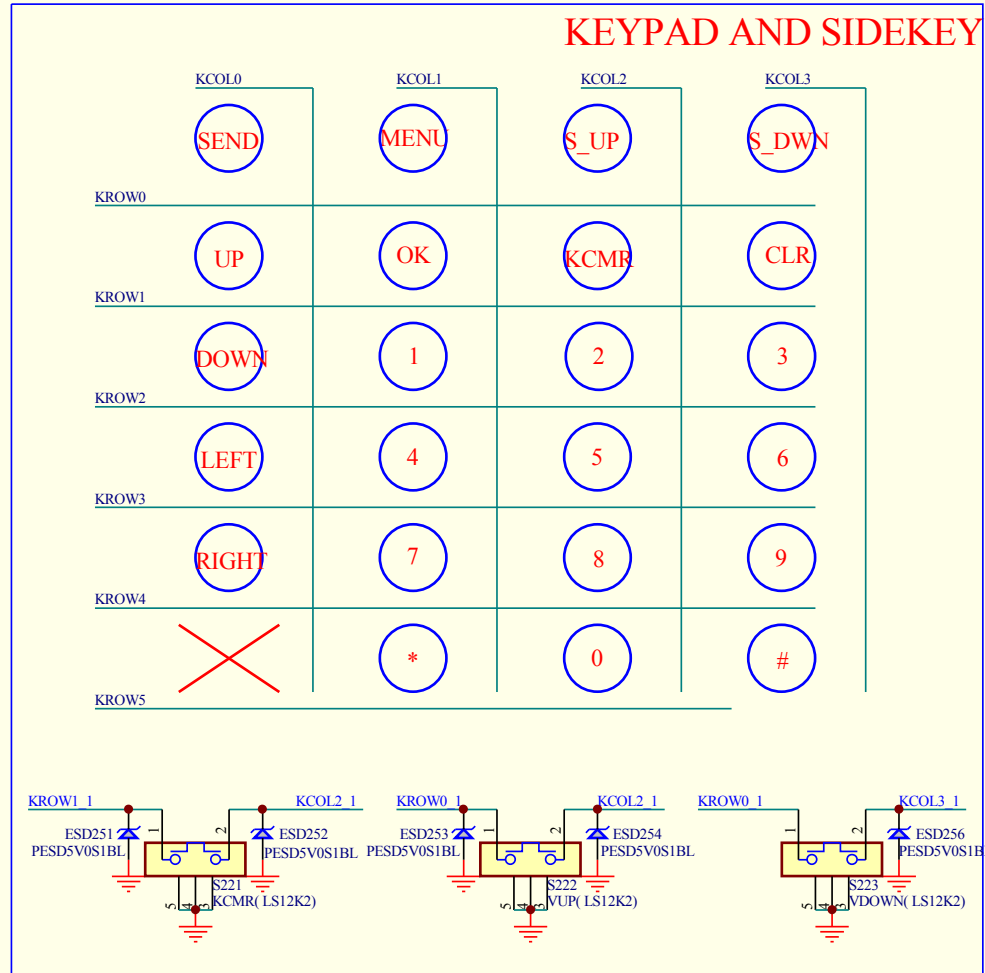
Project: MX2006B1 MOBILE PHONE		NSBRD
Size: A3	Title: RF Schematic	
Drawn by:	Date: 2006-07-17	Sheet: 2 of 7
Checked by:	Signed by:	



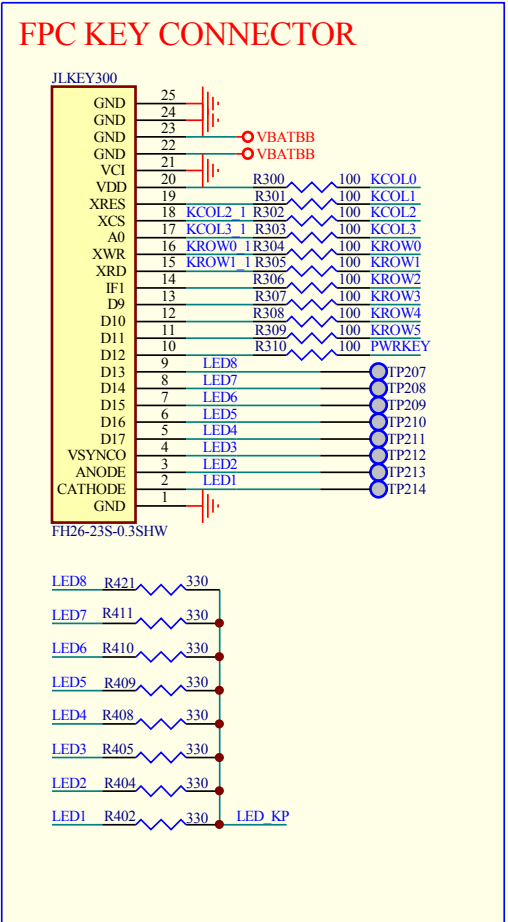
HEADSET AND DIGITAL AUDIO



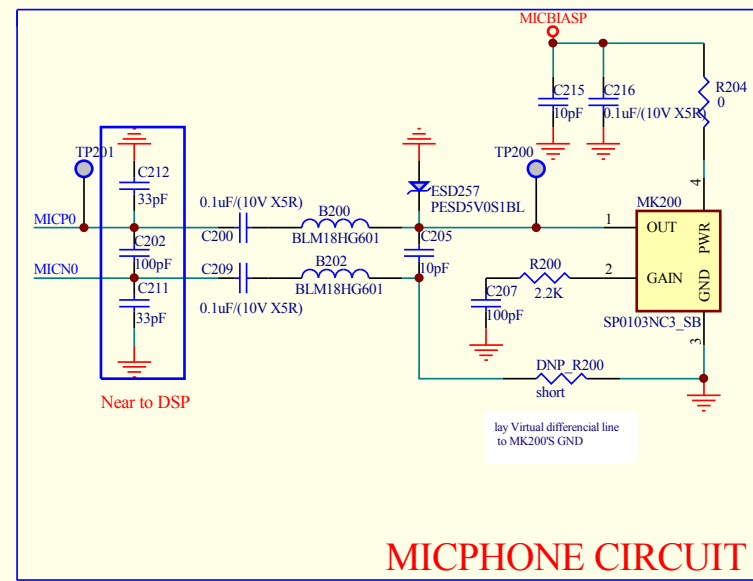
BOTTOM IO



KEYPAD AND SIDEKEY

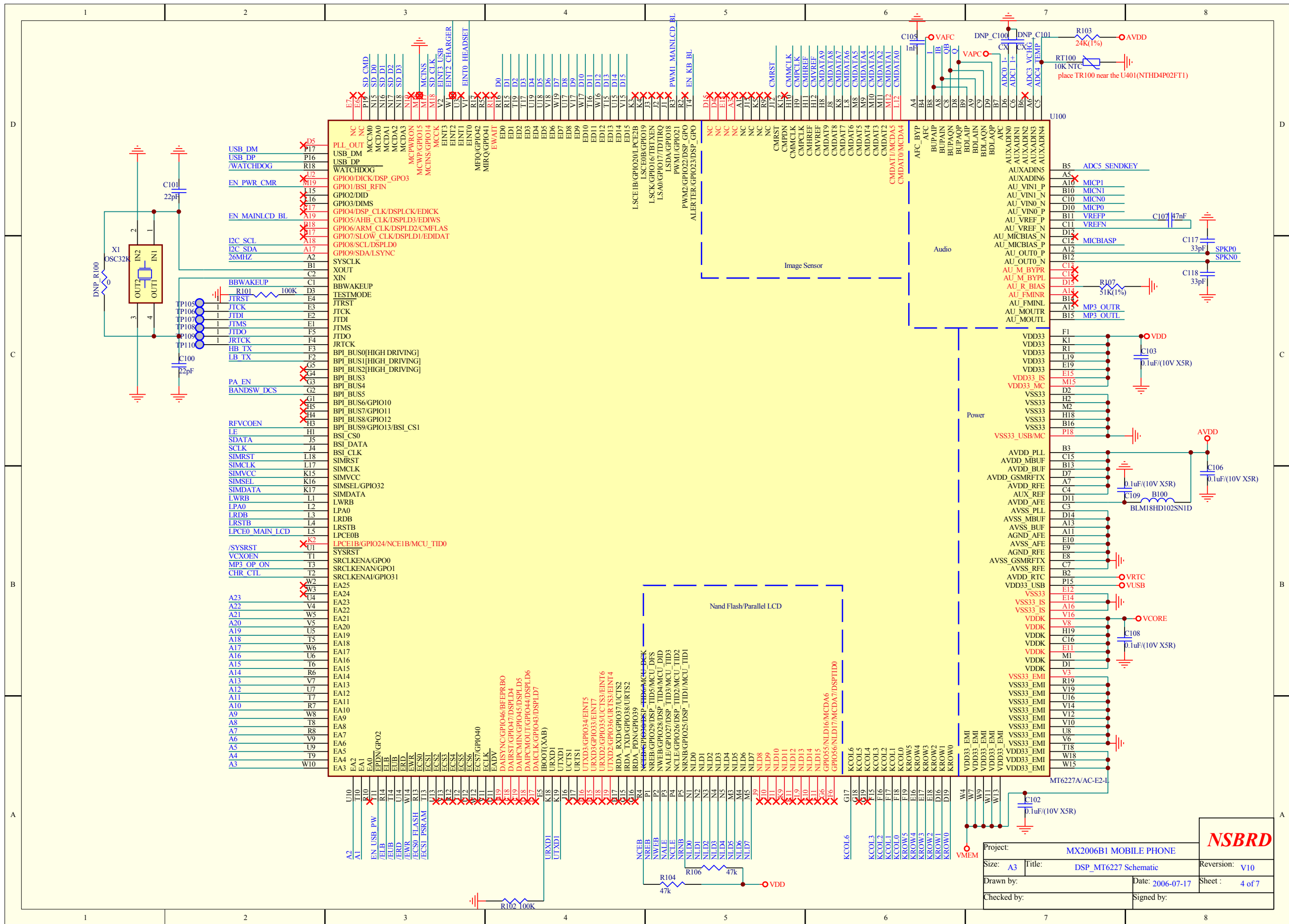


FPC KEY CONNECTOR



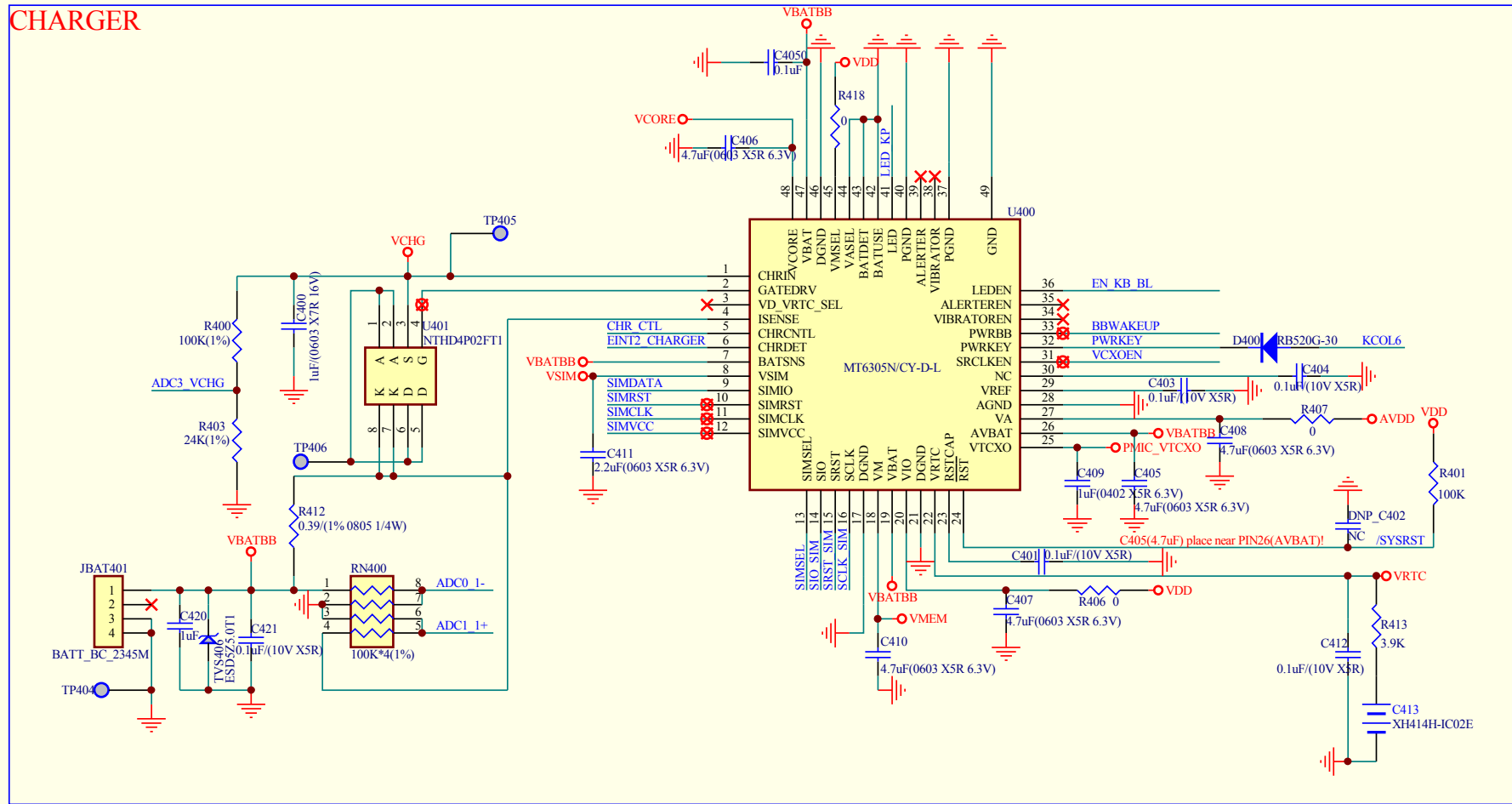
MICPHONE CIRCUIT

Project:	MX2006B1 MOBILE PHONE		NSBRD
Size: A3	Title: AUDIO_KEYPAD Schematic	Revision: V10	
Drawn by:	Date: 2006-07-17	Sheet: 3 of 6	
Checked by:	Signed by:		

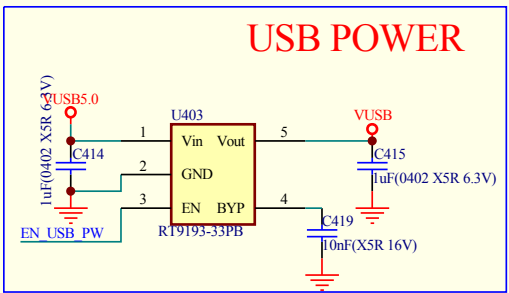


Project: MX2006B1 MOBILE PHONE		NSBRD	
Size: A3	Title: DSP_MT6227 Schematic	Revision: V10	
Drawn by:	Date: 2006-07-17	Sheet: 4 of 7	
Checked by:	Signed by:		

CHARGER



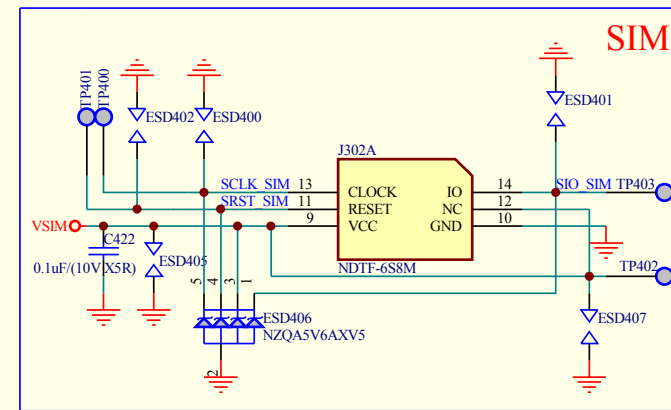
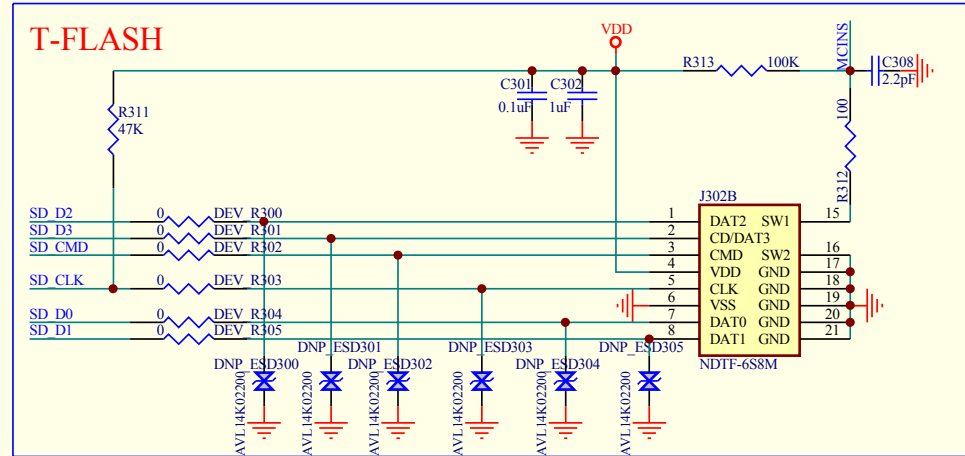
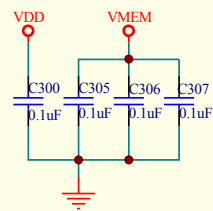
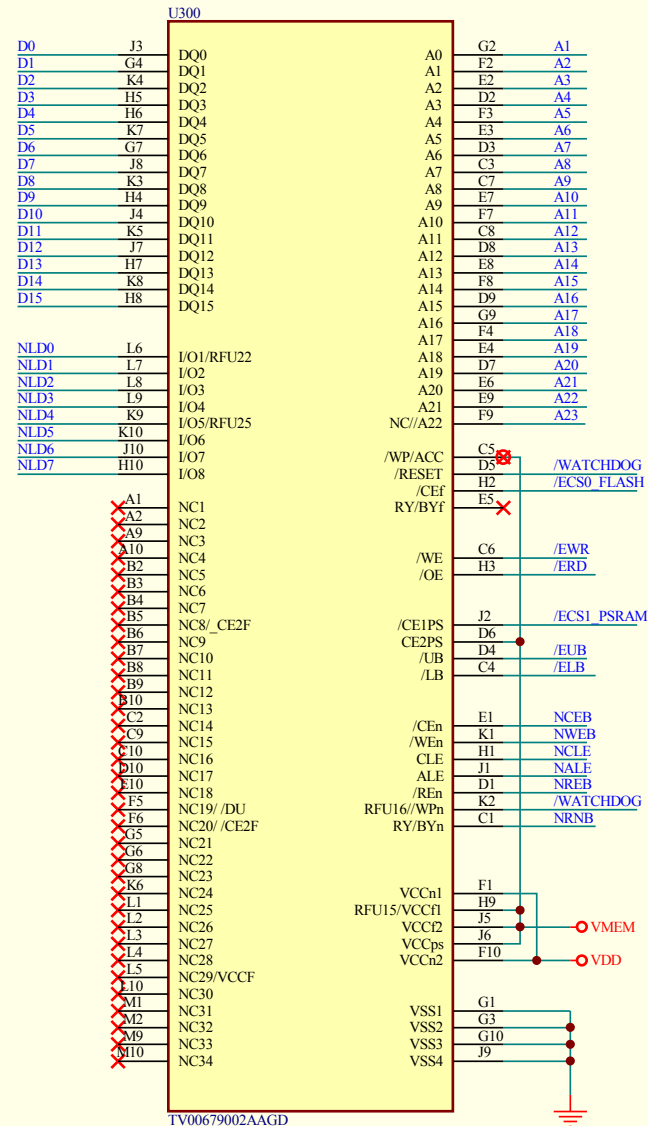
USB POWER



- VCORE — TP407
- VDD — TP408
- AVDD — TP409
- PMIC_VTCXO — TP410
- VMEM — TP411
- VRTC — TP420

Project: MX2006B1 MOBILE PHONE		NSBRD	
Size: A3	Title: PMU Schematic	Revision: V10	
Drawn by:	Date: 2006-07-17	Sheet: 5 of 7	
Checked by:	Signed by:		

TOSHIBA COMBINE FLASH

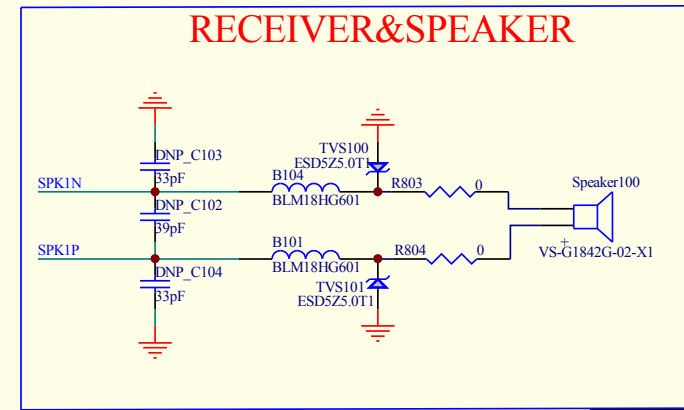
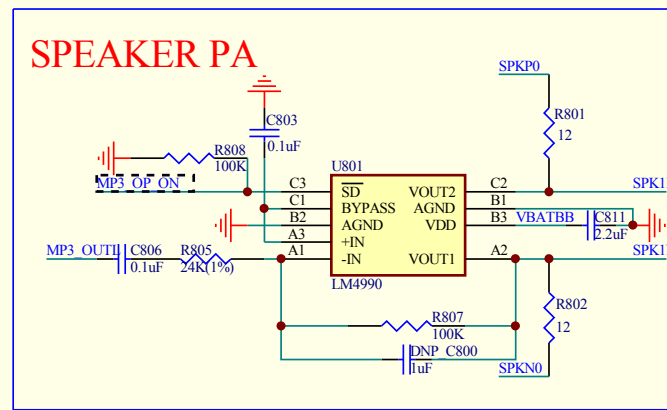
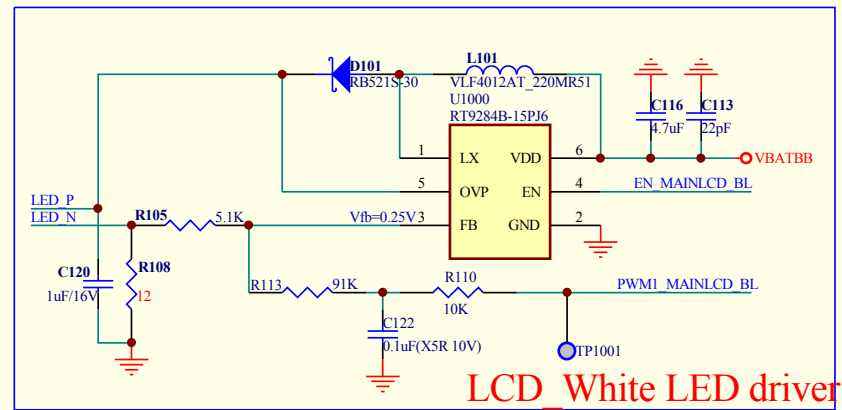
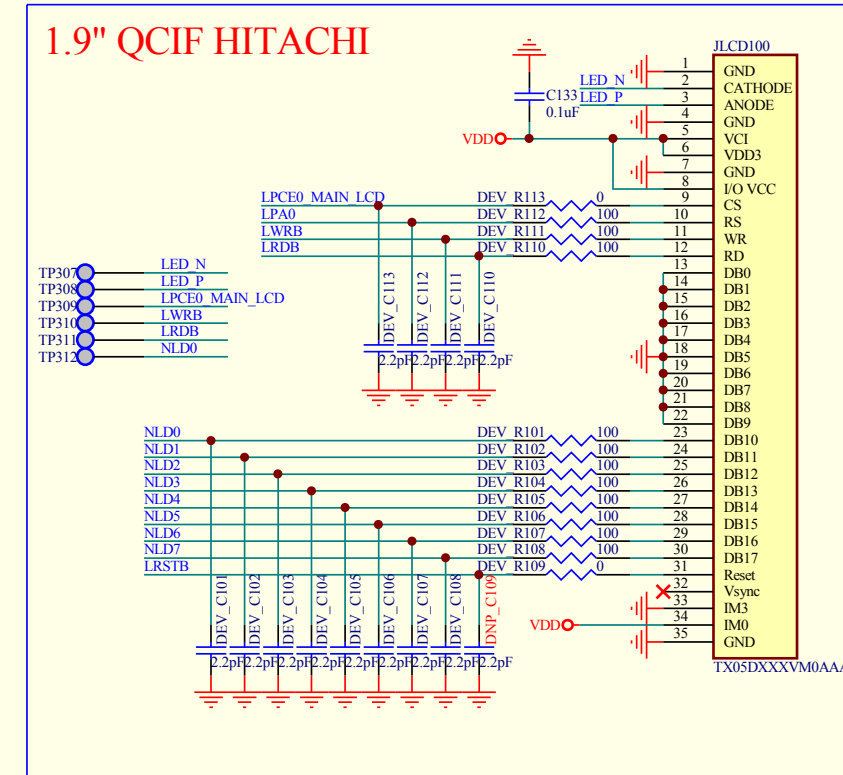
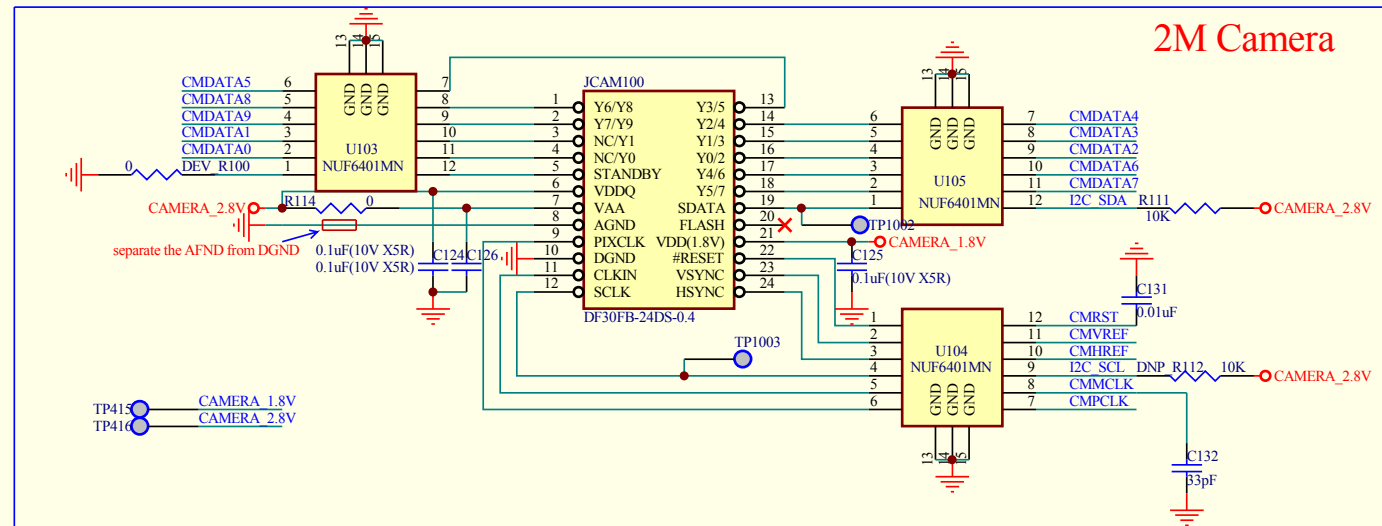
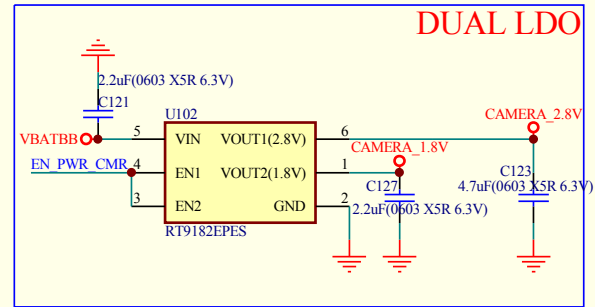


Project:	MX2006B1 MOBILE PHONE		NSBRD
Size:	A3	Title:	
Drawn by:		Date:	2006-07-17
Checked by:		Signed by:	

NSBRD

Reversion: V10

Sheet: 6 of 7



Project:	MX2006B1 MOBILE PHONE		NSBRD
Size:	A3	Title: MX2006B1_CAM_LCD Schematic	
Drawn by:		Date: 2006-07-17	Reversion: V10
Checked by:		Signed by:	Sheet: 7 of 7