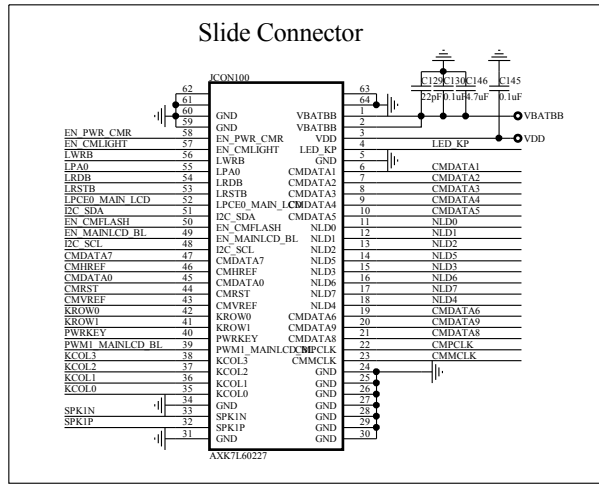


Project:		D636 MOBILE PHONE		<b>NSBRD</b>
Size: A3	Title:	D636_SLIDE Schematic	Revision: V01	
Drawn by:		Date:	Sheet: 1 of 3	
Checked by:		Signed by:		



### Slide Connector



Project: D636 MOBILE PHONE		<b>NSBRD</b>
Size: A3	Title: CONNECTOR Schematic	
Drawn by:	Date:	Sheet: 3 of 3
Checked by:	Signed by:	