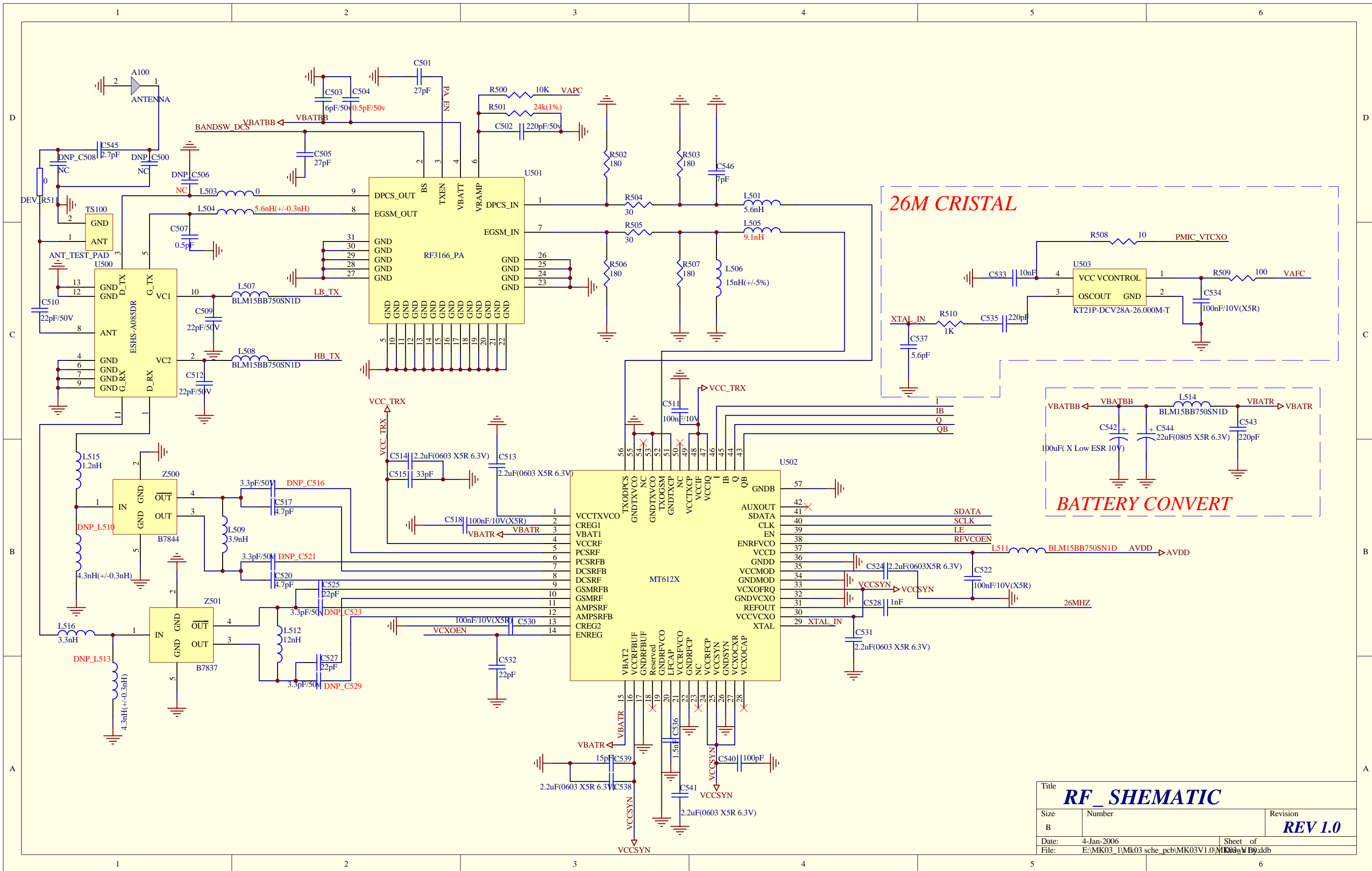


Title		<b><i>MTXX PROJECT</i></b>	
Size	Number	Revision	
B		<b><i>REV 1.0</i></b>	
Date:	4-Jan-2006	Sheet	of
File:	E:\MK03_1\Mk03_sche_pcb\MK03V1.0\N1E03WB9.ddb		



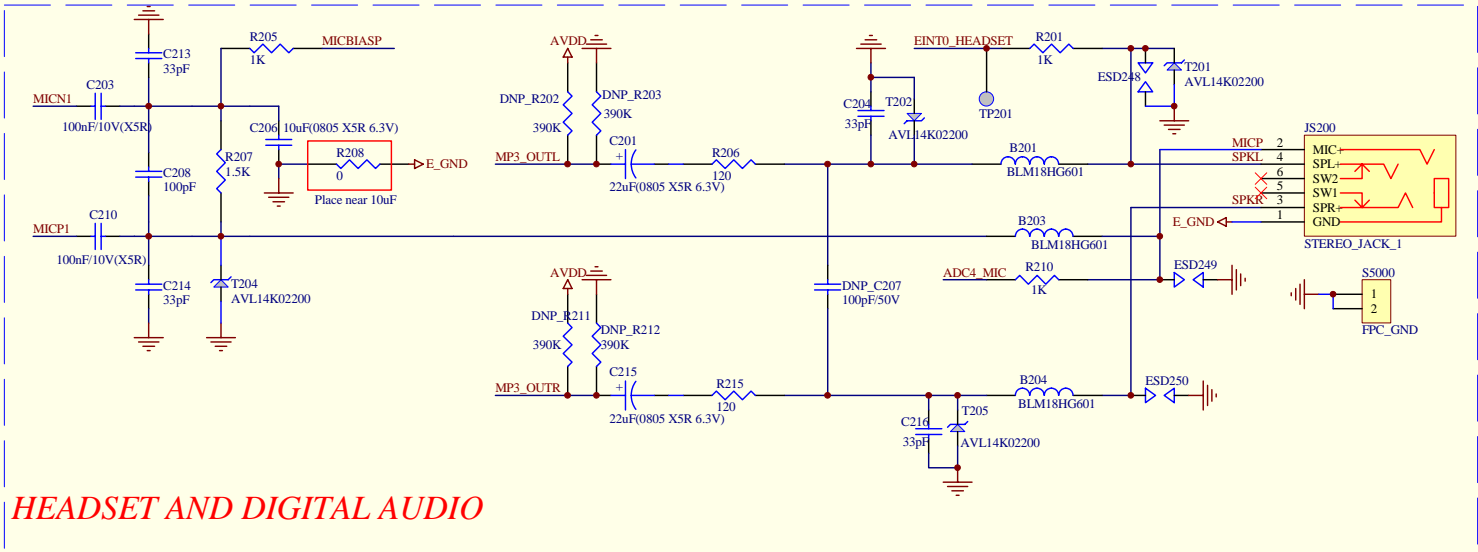
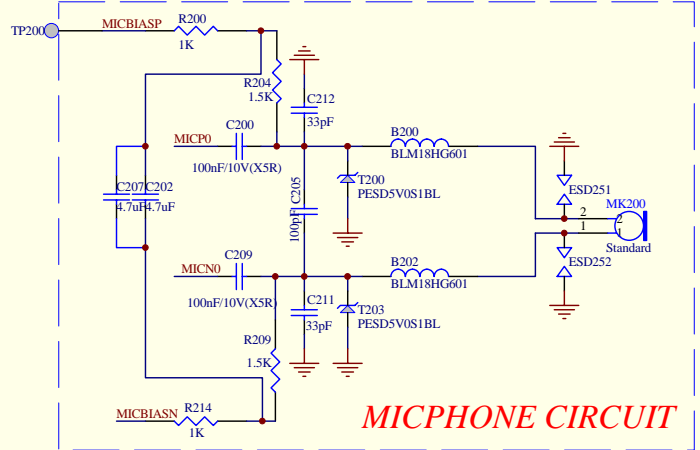
**26M CRISTAL**

**BATTERY CONVERT**

Title		
<b>RF_SHEMATIC</b>		
Size	Number	Revision
B		<b>REV 1.0</b>
Date:	4-Jan-2006	Sheet of
File:	E:\MK03_1\Mk03 sche_pcb\MK03V1.0\N0303V1.ddb	10 of 10

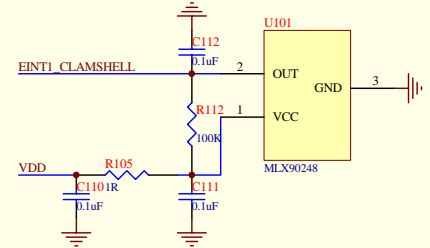
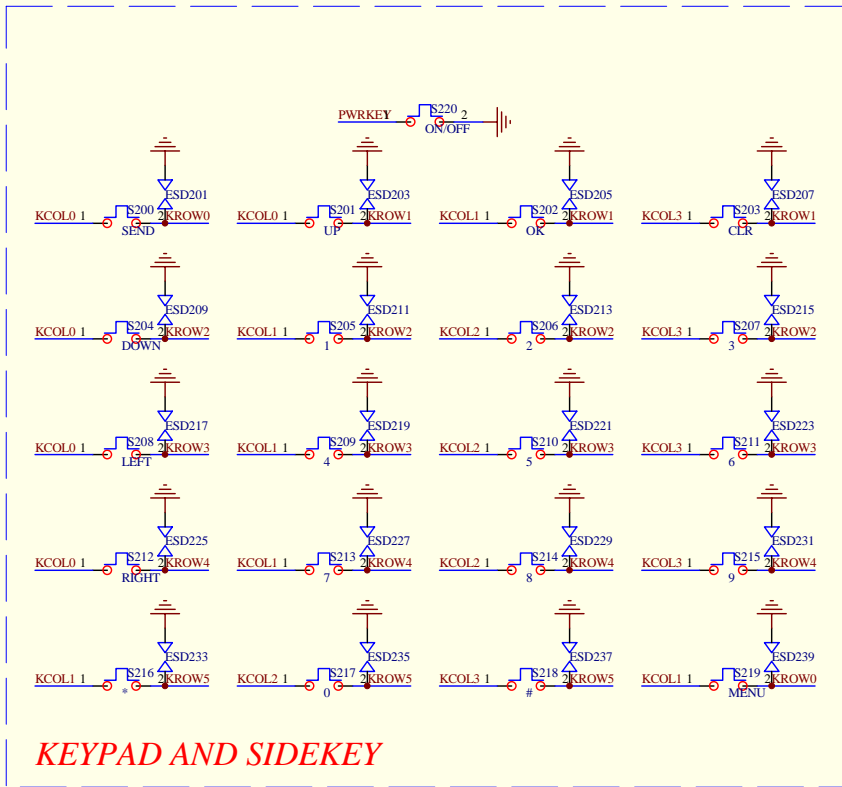
D

D



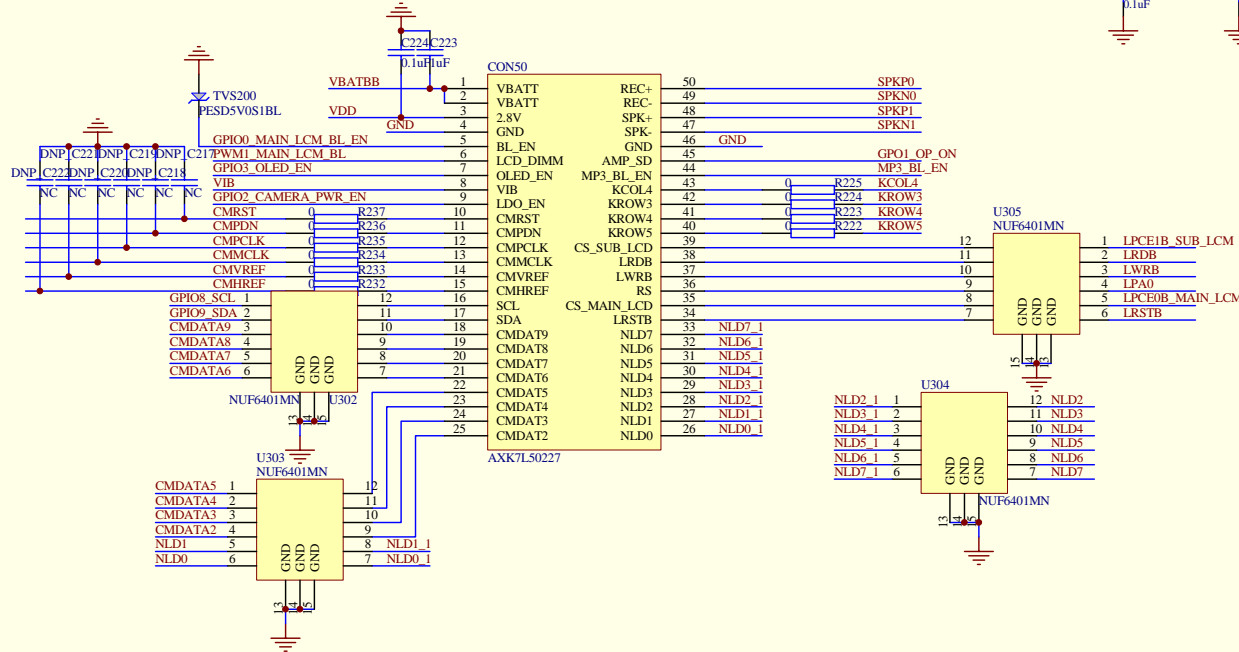
C

C



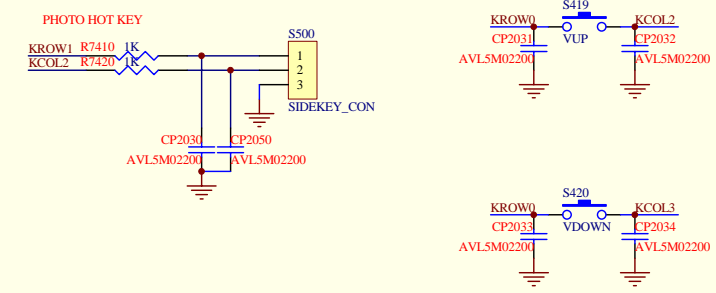
B

B

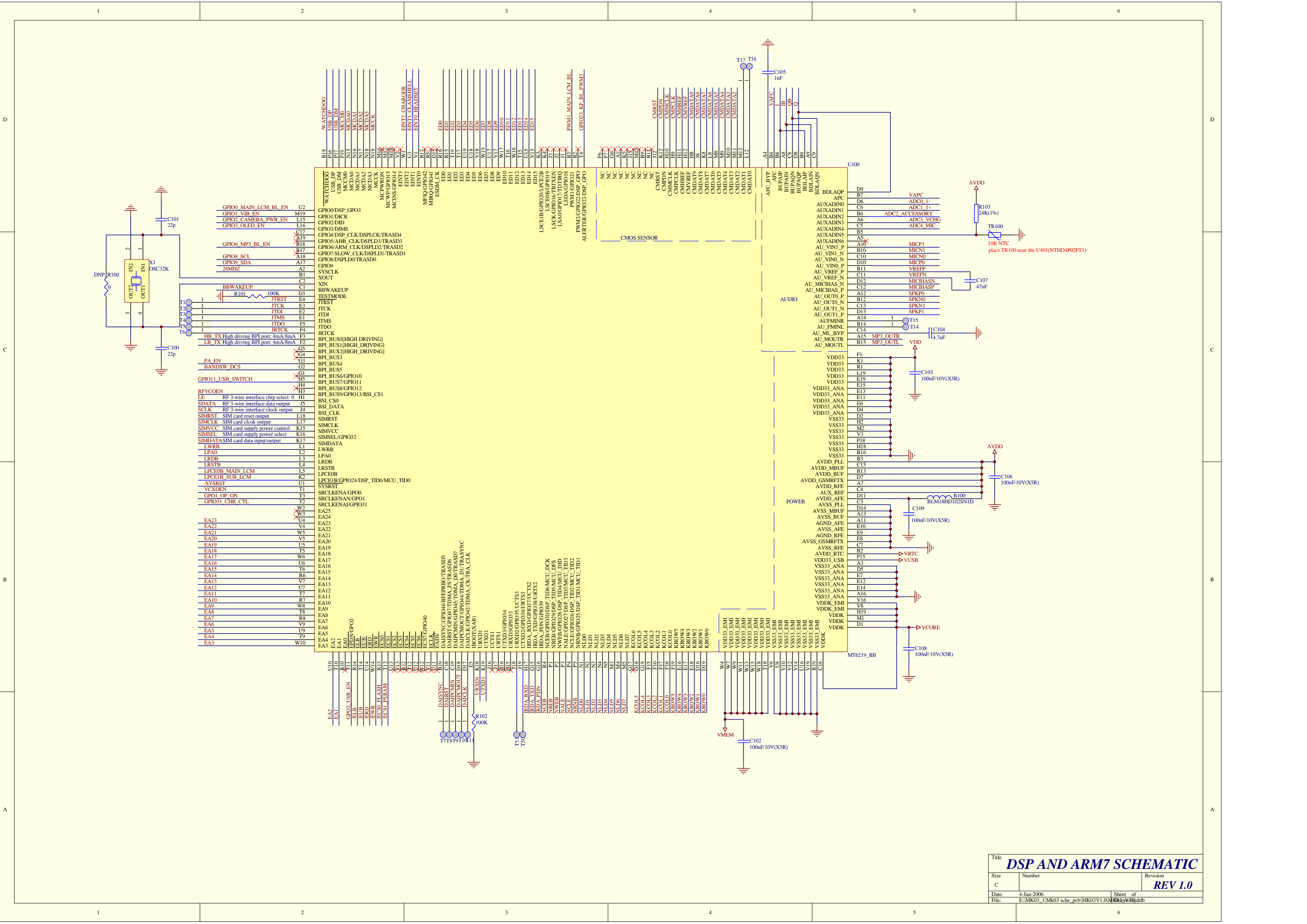


A

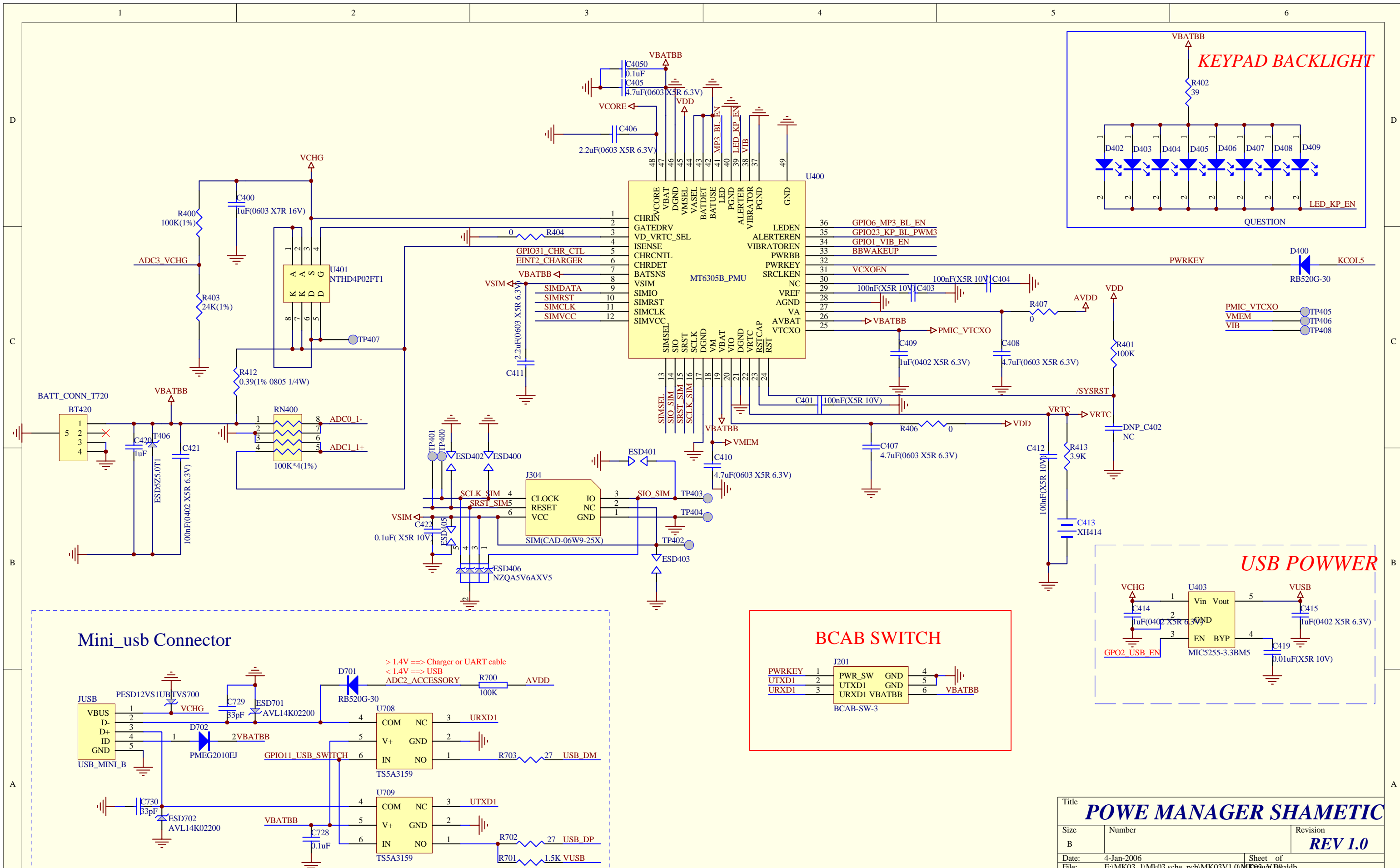
A



Title		
<b>AUDIO AND KEYPAD SHEMATIC</b>		
Size	Number	Revision
C		<b>REV 1.0</b>
Date:	4-Jan-2006	Sheet of
File:	E:\MK03_1\Mk03_sche_pcb\MK03V1.0\MK03V1.0.dwg	13 of 13

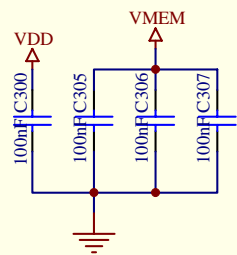
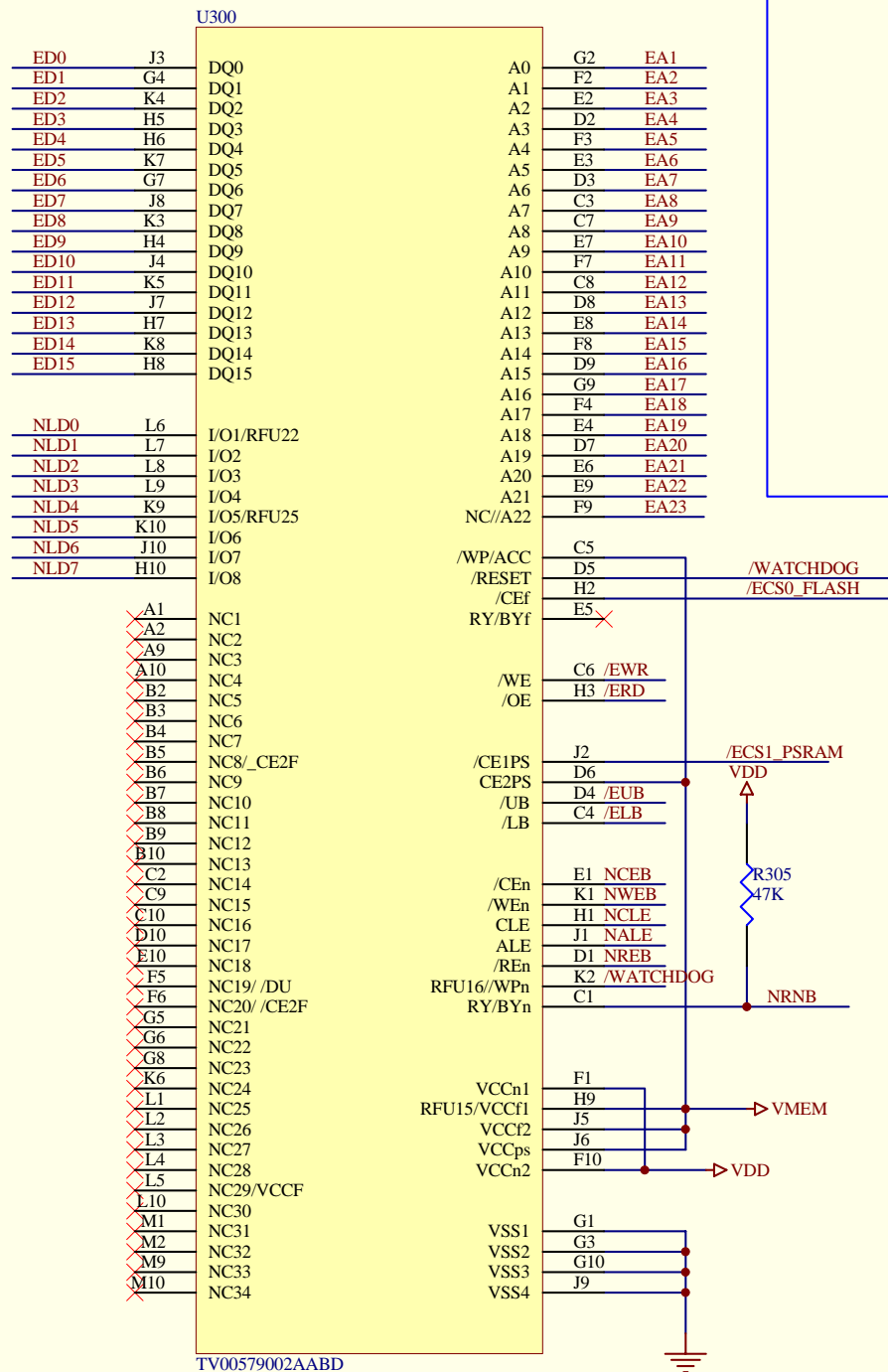


Title		
<b>DSP AND ARM7 SCHEMATIC</b>		
Size	Number	Revision
C		<b>REV 1.0</b>
Date:	4-Jan-2006	Sheet of
File:	E:\MK03_1\Mk03_sche_pcb\MK03V1.0\MK03V1.B3.dcb	

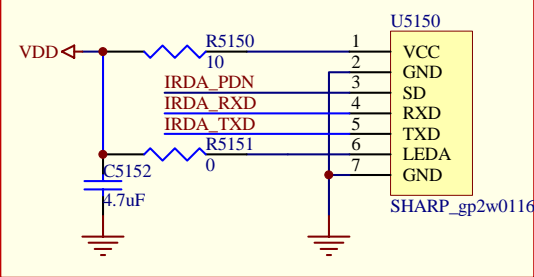


Title		
<b>POWE MANAGER SHAMETIC</b>		
Size	Number	Revision
B		<b>REV 1.0</b>
Date:	4-Jan-2006	Sheet of
File:	E:\MK03_1\Mk03 sche_pcb\MK03V1.0\NEW\B9.ddb	10 of 10

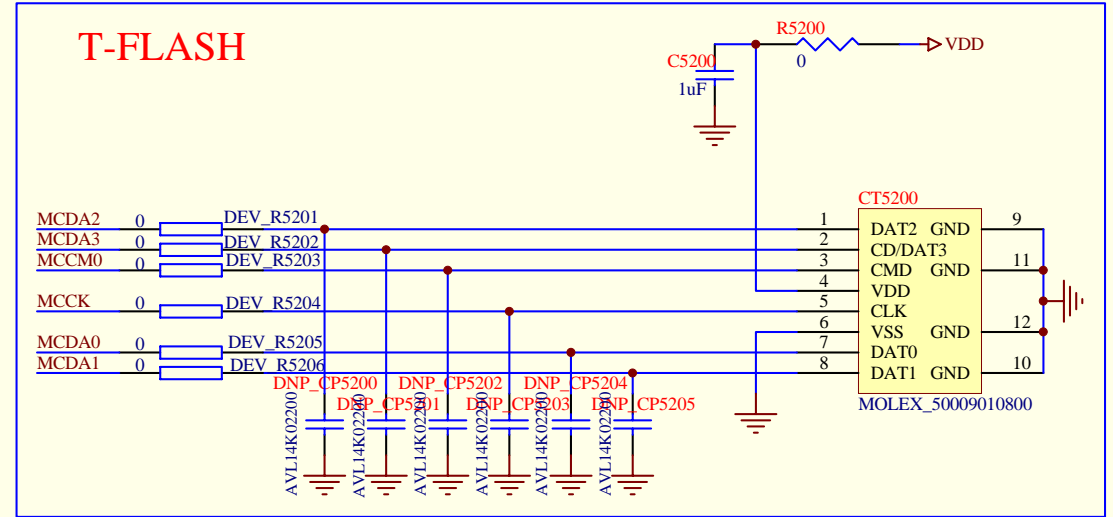
# TOSHIBA COMBINE FLASH



## IRDA INTERFACE



## T-FLASH



Title		
<b>MEMORY&amp;LCD&amp;CAMERO&amp;T FLASH&amp;IRDA</b>		
Size	Number	Revision
B		<b>REV 1.0</b>
Date:	4-Jan-2006	Sheet of
File:	E:\MK03_1\Mk03 sche_pcb\MK03V1.0\NIB03w B9.ddb	10 of 10