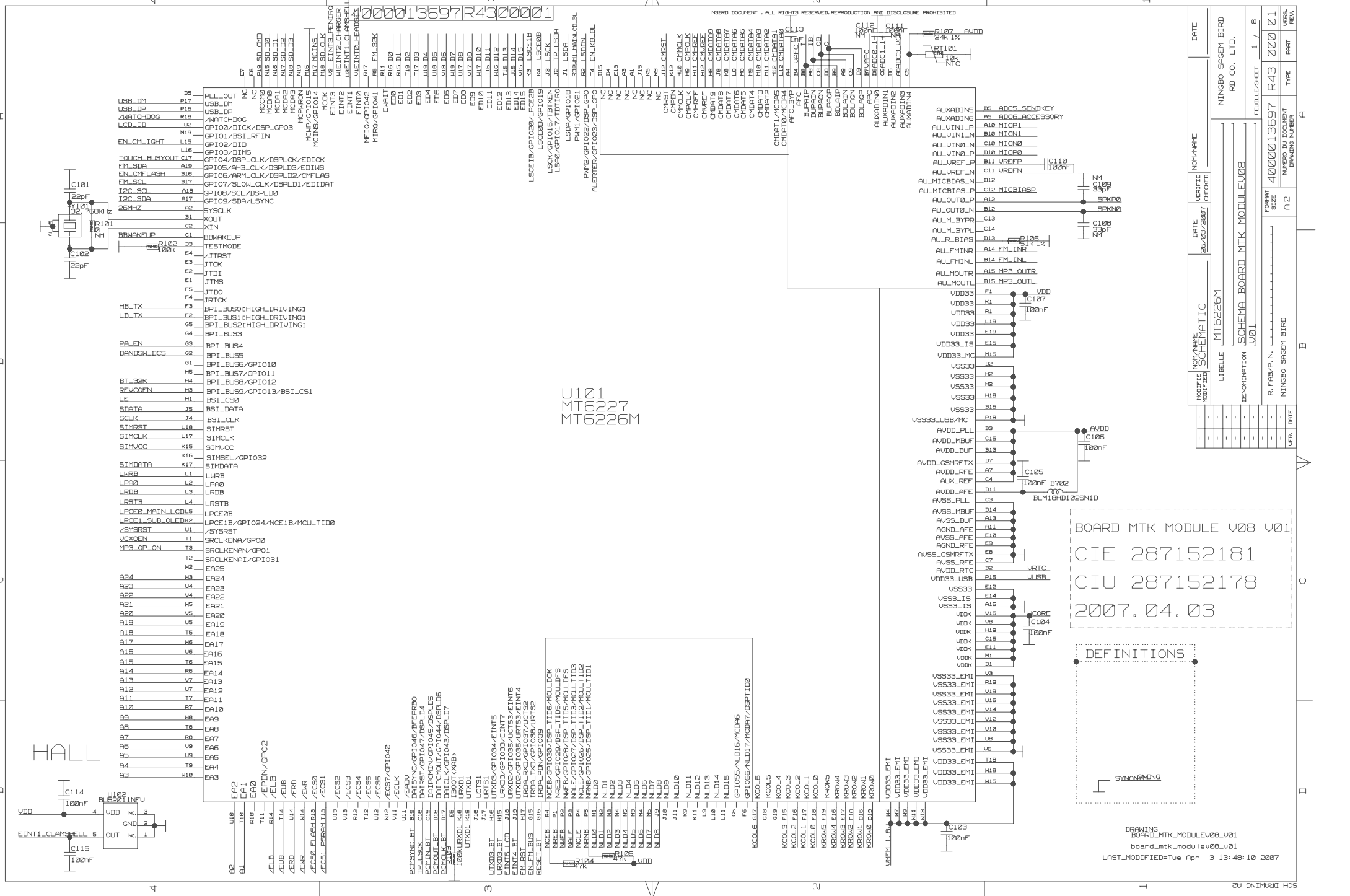


000013697R4300001

NINGBO DOCUMENT . ALL RIGHTS RESERVED. REPRODUCTION AND DISCLOSURE PROHIBITED



NO./NAME MODIFIED	DATE	VERIFY	NO./NAME	DATE	NO./NAME
	26/02/2007	CHECKED			

FEUILLE/SHEET	I / B
4000013697 R43	000 01

NUMERO DU DOCUMENT DRAWING NUMBER	TYPE	PART	VERS.	RECU.
4000013697 R43			000	01

NO./NAME MODIFIED	DATE	VERIFY	NO./NAME	DATE	NO./NAME
	26/02/2007	CHECKED			

LIBELLE	MT6226M
SCHEMATIC	

REVISION	DESCRIPTION
01	SCHEMATIC BOARD MTK MODULE V08

R.FAB/P.N.	FORMAT	SIZE
4000013697 R43	A2	A2

NO./NAME MODIFIED	DATE	VERIFY	NO./NAME	DATE	NO./NAME
	26/02/2007	CHECKED			

LIBELLE	MT6226M
SCHEMATIC	

REVISION	DESCRIPTION
01	SCHEMATIC BOARD MTK MODULE V08

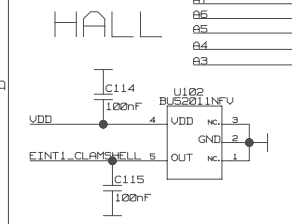
R.FAB/P.N.	FORMAT	SIZE
4000013697 R43	A2	A2

BOARD MTK MODULE V08 V01
 CIE 287152181
 CIU 287152178
 2007.04.03

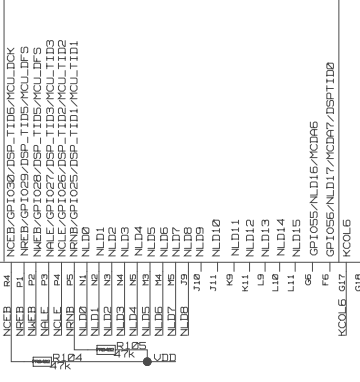
DEFINITIONS

SYMBOLS

DRAWING
 BOARD_MTK_MODULEV08_V01
 board_mtk_modulev08_v01
 LAST_MODIFIED:Tue Apr 3 13:48:10 2007

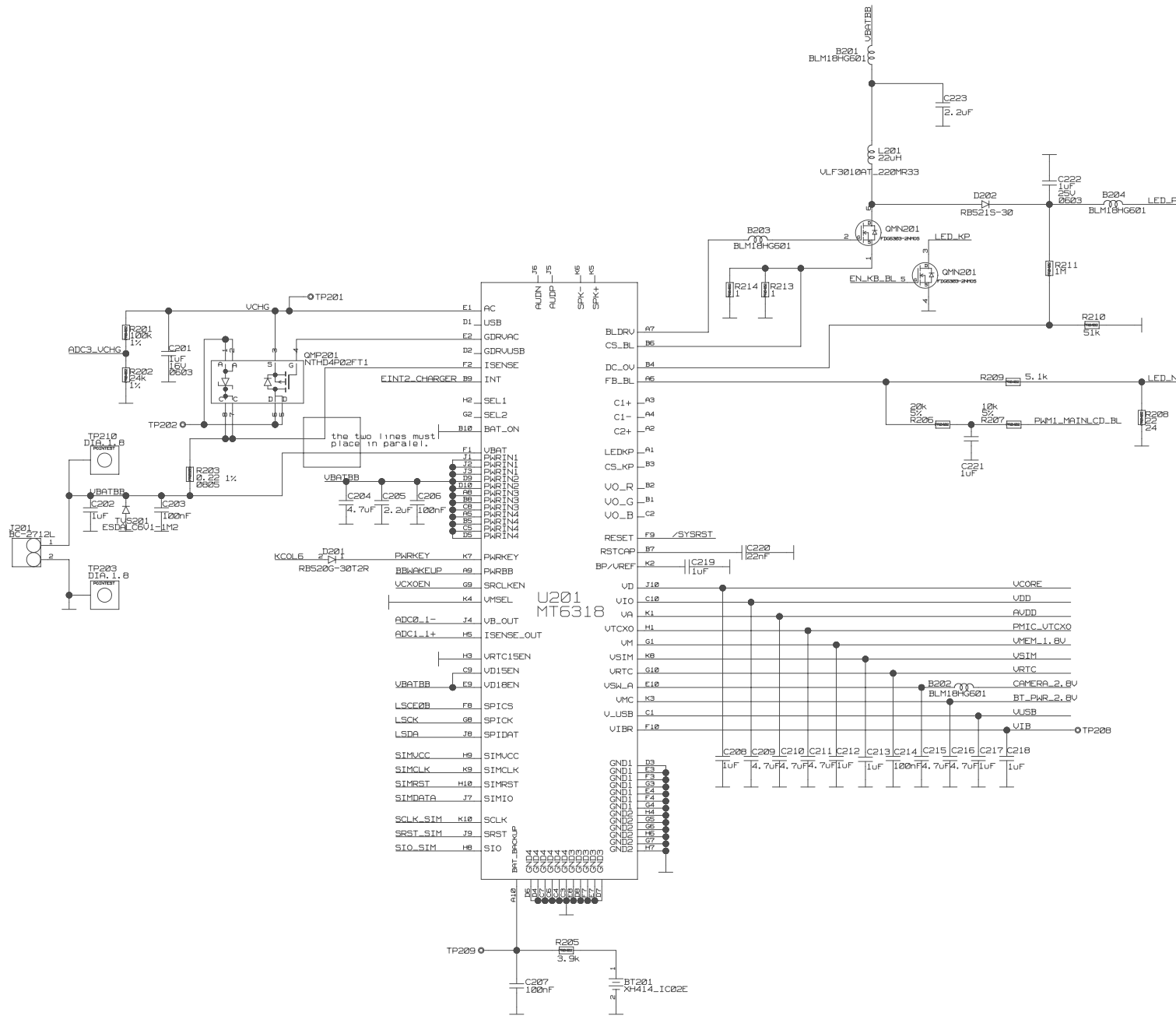


U101
 MT6227
 020226M



4000013697R4300001

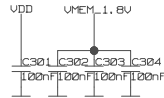
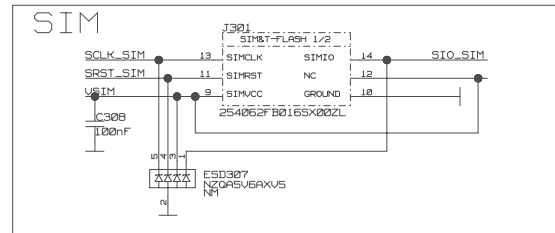
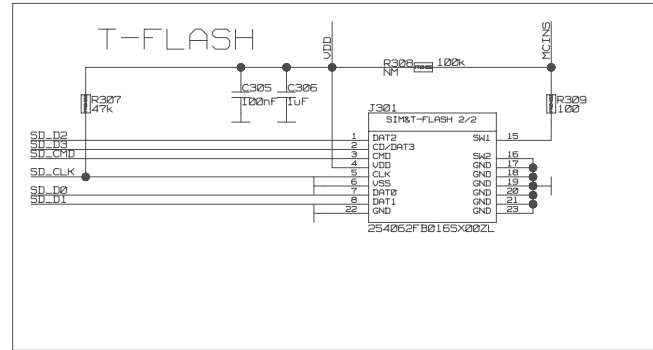
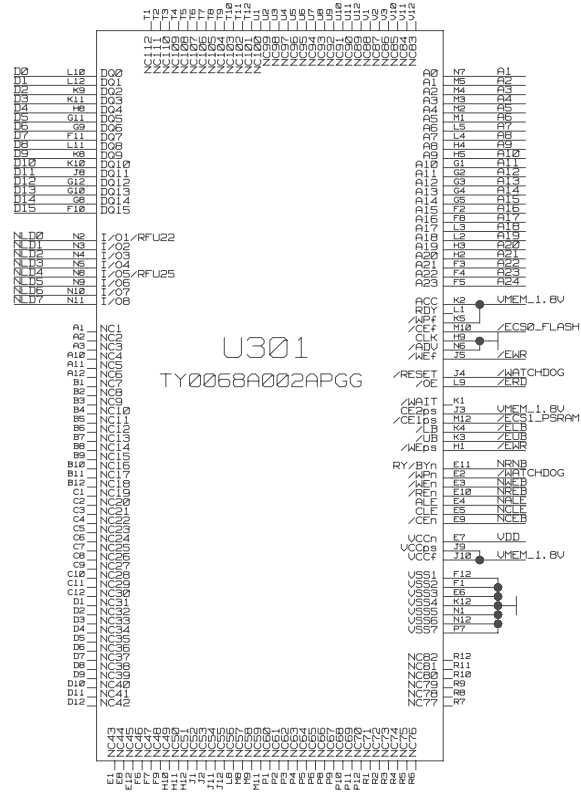
NINGBO DOCUMENT . ALL RIGHTS RESERVED, REPRODUCTION AND DISCLOSURE PROHIBITED



NO./NAME	DATE	VERIFY	NO./NAME	DATE
SCHEMATIC	26/03/2007	CHECKED		
LIBELLE	MT6318			
IDENTIFICATION	SCHEMA BOARD MTK MODULEU08			
R.FAB/P.N.	V01			
FORMAT	A 2			
NUMERO DU DOCUMENT	4000013697			
DRAWING NUMBER	R43			
FEUILLE/SHEET	2 / 8			
NINGBO SAGEM BIRD	RD CO. LTD.			
VER.	DATE	TYPE	PART	VERS. REC.

4000013697R4300001

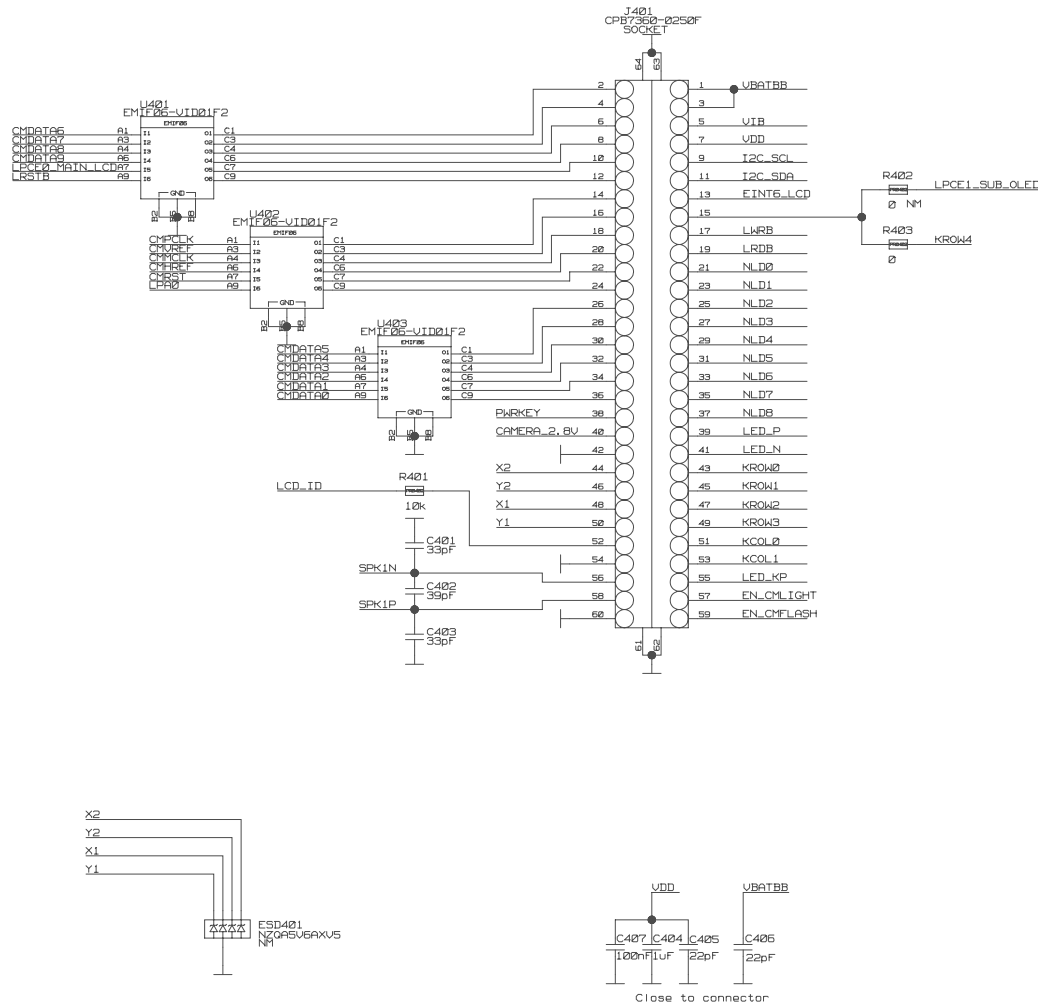
TOSHIBA COMBINE FLASH
64+256+1Gbits 1.8V



NOI/NAME	DATE	NOI/NAME	DATE
SCHEMATIC	26/03/2007	SCHEMATIC	26/03/2007
LIBELLE	MEMORY	LIBELLE	MEMORY
IDENTIFICATION	SCHEMA_BOARD_MTK_MODULEU0B	IDENTIFICATION	SCHEMA_BOARD_MTK_MODULEU0B
R./FAB/P./N.	v01	R./FAB/P./N.	v01
FORMAT	3 / B	FORMAT	3 / B
SIZE	A2	SIZE	A2
NUMERO DU DOCUMENT	4000013697	NUMERO DU DOCUMENT	4000013697
DRAWING NUMBER	R43	DRAWING NUMBER	R43
TYPE	RD CO. LTD.	TYPE	RD CO. LTD.
PART	NINGBO SAGEM BIRD	PART	NINGBO SAGEM BIRD
VER.	01	VER.	01
REV.		REV.	

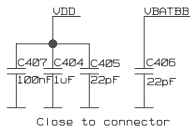
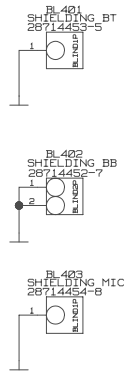
4000013697R4300001

LCD_CAM_CONNECTOR



NO./NAME	DATE	VERIFY	NO./NAME	DATE
SCHEMATIC	26/03/2007	CHECKED		
NINGBO SAGEM BIRD RD CO. LTD.				
FPC CONNECTOR				
SCHEMA BOARD MTK_MODULEV0B				
FORMAT				
SIZE A 2				
R./FAB./P.N.				
NINGBO SAGEM BIRD				
FEUILLE/SHEET 4 / 8				
NUMBER OF DOCUMENT				
DRAWING NUMBER 4000013697 R43				
TYPE PART				
VER. DATE				

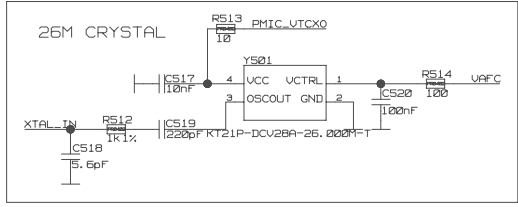
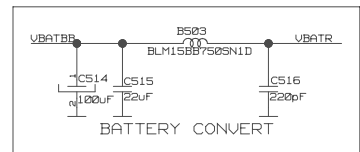
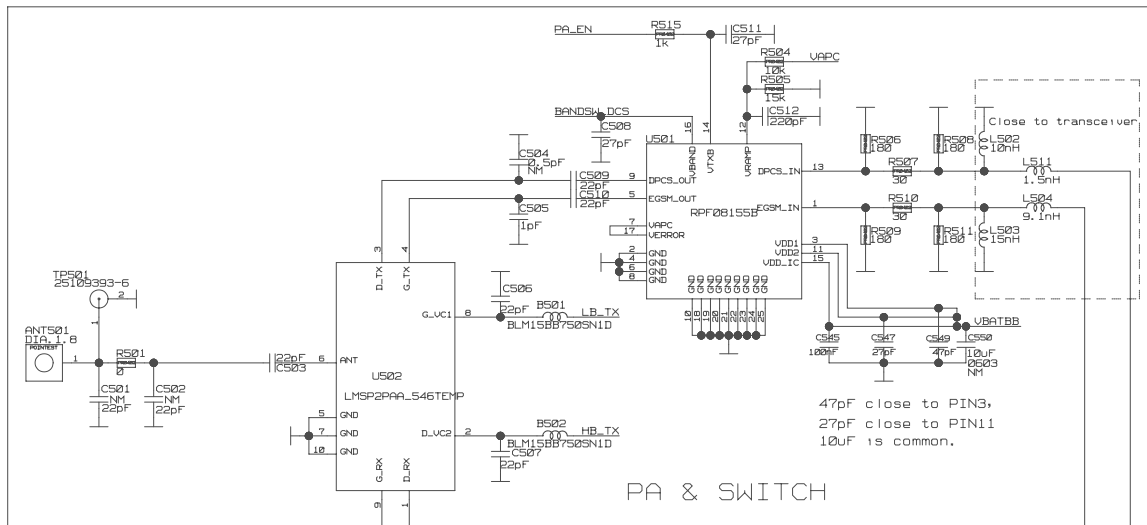
- CAMERA_2_BV ○ TP401
- SPK1N ○ TP402
- SPK1P ○ TP403
- LED_N ○ TP404
- LED_P ○ TP405



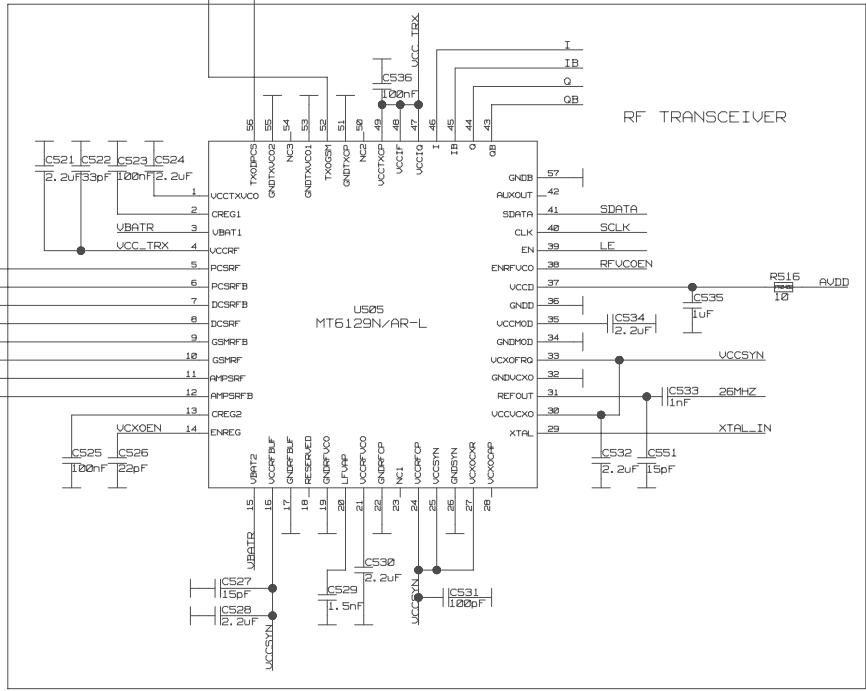
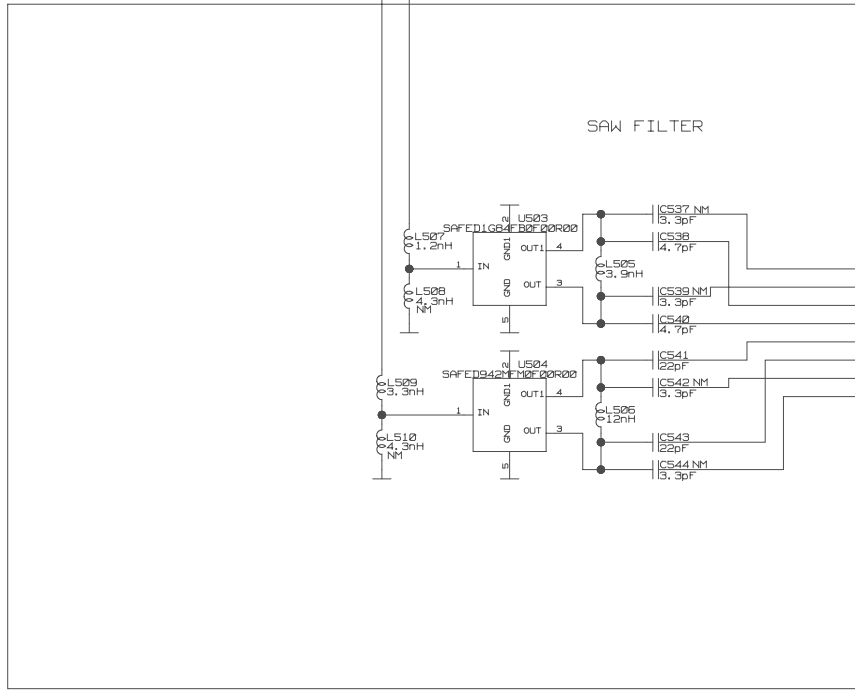
DRAWING BOARD_MTK_MODULEV0B_V01
board_mtk_moduleV0B_v01
LAST_MODIFIED=Tue Apr 3 13:41:25 2007

4000013697R4300001

NINGBO DOCUMENT . ALL RIGHTS RESERVED. REPRODUCTION AND DISCLOSURE PROHIBITED



47pF close to PIN3, 27pF close to PIN11 10uF is common.

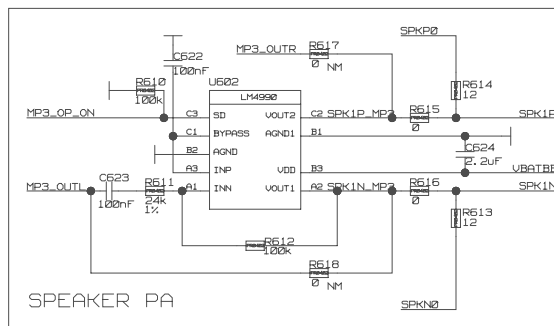
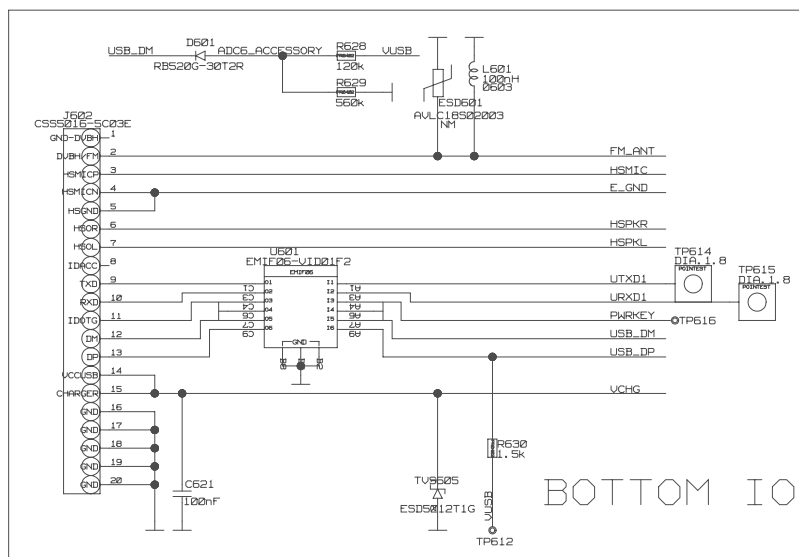
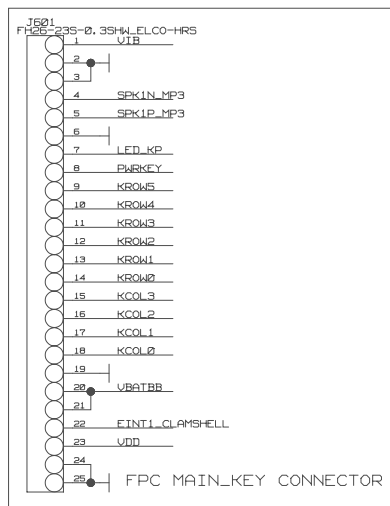
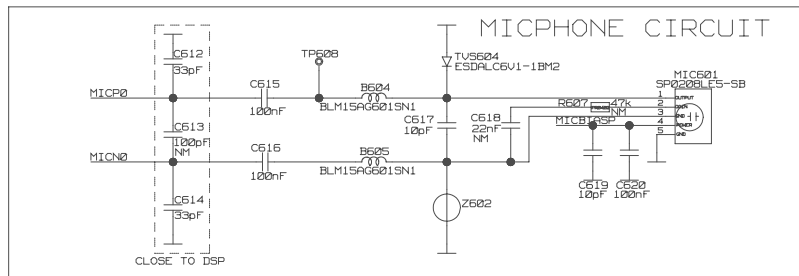
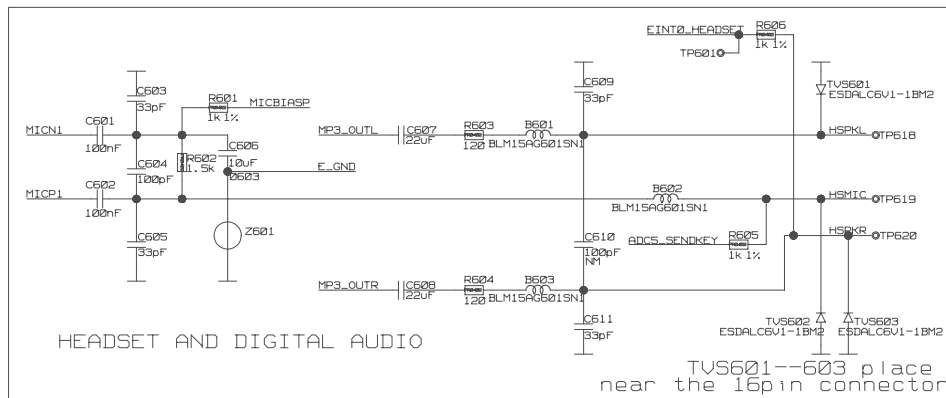


NO./NAME	DATE	VERIFY	NO./NAME	DATE	VERIFY
SCHEMATIC	26/03/2007	CHECKED			
LIBELLE RF					
DENOMINATION SCHEMA BOARD MTK MODULE V08					
R. FAB/P. N. V01					
NINGBO SAGEM BIRD					
FEUILLE/SHEET 5 / 8					
NINGBO SAGEM BIRD					
RD CO. LTD.					
FORMAT	SIZE	NUMERO DU DOCUMENT	TYPE	VERS.	REC.
A2	A2	4000013697	R43	000	01

DRAWING BOARD_MTK_MODULEV08_V01
 board_mtk_moduleV08_v01
 LAST_MODIFIED=Fri Mar 30 13:19:48 2007

4000013697R4300001

NINGBO DOCUMENT . ALL RIGHTS RESERVED, REPRODUCTION AND DISCLOSURE PROHIBITED



NO./NAME MODIFIED	DATE	VERIFY	NO./NAME CHECKED	DATE	NO./NAME	DATE
1			1		NINGBO SAGEM BIRD RD CO. LTD.	
2	26/05/2007		2	26/05/2007		

LIBELLE	SCHEMATIC	SCHEMATIC	SCHEMATIC
AUDIOSCONNECTER	AUDIOSCONNECTER	AUDIOSCONNECTER	AUDIOSCONNECTER

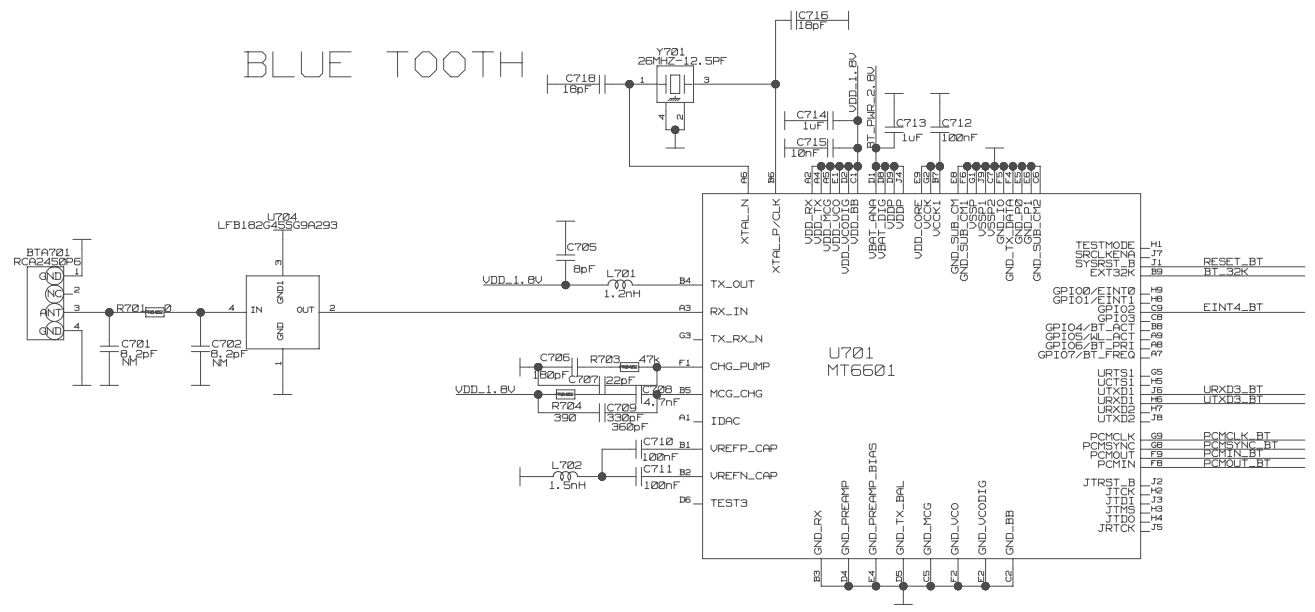
FEUILLE/SHEET	6 / 8
NUMERO DU DOCUMENT DRAWING NUMBER	4000013697
FORMAT SIZE	A 2
VERSIONS REV.	0001
PART	R43

DRAWING BOARD_MTK_MODULEV0B_V01 board_mtk_modulev0b_v01

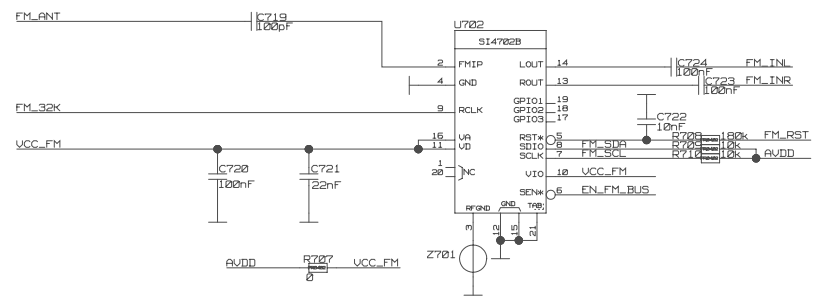
4000013697R4300001

NINGBO DOCUMENT . ALL RIGHTS RESERVED. REPRODUCTION AND DISCLOSURE PROHIBITED

BLUE TOOTH



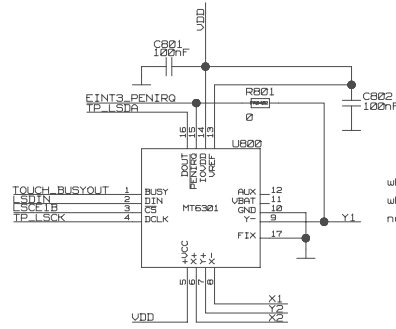
FM RADIO



NO./NAME MODIFIED	SCHEMATIC	DATE 26/05/2007	VERIFY CHECKED	NO./NAME	DATE
LIBELLE BLUE TOOTH&FM				NINGBO SAGEM BIRD RD CO. LTD.	
DENOMINATION SCHEMA BOARD MTK MODULEU0B				FEUILLE/SHEET 7 / 8	
R./FAB/P.N. NINGBO SAGEM BIRD		FORMAT SIZE A 2		NUMERO DU DOCUMENT DRAWING NUMBER 4000013697	
VER.	DATE	TYPE	PART	VERS.	REC.
-	-	-	-	000	01

DRAWING BOARD_MTK_MODULEU0B_v01 board_mtk_modullev0b_v01

TOUCH PANNEL



when has touch-panel, no mount R801;
 when has touch-key, mount R801, at the same time,
 no touch-panel.

NOI/NAME MODIFIED	SCHEMATIC	DATE 26/05/2007	VERIFIE CHECKED	NOI/NAME	DATE
LIBELLE TOUCH PANNEL				NINGBO SAGEM BIRD RD CO. LTD.	
DENOMINATION SCHEMA BOARD MTK_MODULEV0B				FEUILLE/SHEET 6 / 6	
R. FAB/P. N. V01		FORMAT SIZE A 2		NUMERO DU DOCUMENT 4000013697	
				TYPE R43	
				PART 000	
				VER. REC. 01	
				NINGBO SAGEM BIRD	

DRAWING
 BOARD_MTK_MODULEV0B_V01
 board_mtk_modullev0b_v01

4000013697R4300001

*** Signal Cross-Reference ***
--- for the entire design ---

/ECSS_FLUPH 1D4< 3B3<
 /ECSS_PSRM 1D3< 3B3<
 /ELB 1D4< 3B3<
 /ERD 1D4< 3B3<
 /EUB 1D4< 3B3<
 /FAR 1D4< 3B3<
 /FARST 1C4< 2B2<
 /FARTODG 1D4< 3C3 3B3<
 2644Z 1A4< 5C1<
 A1 1D4< 3A3<
 A2 1D4< 3B3<
 A3 1D4< 3B3<
 A4 1D4< 3B3<
 A5 1D4< 3B3<
 A6 1D4< 3B3<
 A7 1D4< 3B3<
 A8 1D4< 3B3<
 A9 1D4< 3B3<
 A10 1D4< 3B3<
 A11 1D4< 3B3<
 A12 1C4< 3B3<
 A13 1C4< 3B3<
 A14 1C4< 3B3<
 A15 1C4< 3B3<
 A16 1C4< 3B3<
 A17 1C4< 3B3<
 A18 1C4< 3B3<
 A19 1C4< 3B3<
 A20 1C4< 3B3<
 A21 1C4< 3B3<
 A22 1C4< 3B3<
 A23 1C4< 3B3<
 A24 1C4< 3B3<
 ADC1- 1A2< 2C3<
 ADC1_1+ 1A2< 2C3<
 ADC3_0HG 1A2< 2B4<
 ADC3_0HKEY 1A1< 6B3<
 ADC3_ACCESSORY 1A1< 6B3<
 A/D 1A2< 1B1< 2C2< 5C1< 7C3< 7D4<
 BANDWIDTH 1B4< 5A3<
 BARRICAD 1B4< 2C3<
 BT_3K 1B4< 7B3<
 BT_PAR_2_BV 2C2< 7A3<
 CAMERA_2_BV 2C2< 4B3< 4B1<
 CHDATA 1A2< 4B3<
 CHDATA1 1A2< 4B3<
 CHDATA2 1A2< 4B3<
 CHDATA3 1A2< 4B3<
 CHDATA4 1A2< 4B3<
 CHDATA5 1A2< 4B3<
 CHDATA6 1A2< 4A4<
 CHDATA7 1A2< 4A4<
 CHDATA8 1A2< 4A4<
 CHDATA9 1A2< 4A4<
 CHDATA10 1A2< 4B4<
 CHCLK 1A2< 4B4<
 CHCLK 1A2< 4B4<
 CHPCLK 1A2< 4B4<
 CHPST 1A2< 4B4<
 CHAREF 1A2< 4B4<
 D0 1A3< 3B4<
 D1 1A3< 3B4<
 D2 1A3< 3B4<
 D3 1A3< 3B4<
 D4 1A3< 3B4<
 D5 1A3< 3B4<
 D6 1A3< 3B4<
 D7 1A3< 3B4<
 D8 1A3< 3B4<
 D9 1A3< 3B4<
 D10 1A3< 3B4<
 D11 1A3< 3B4<
 D12 1A3< 3B4<
 D13 1A3< 3B4<
 D14 1A3< 3B4<
 D15 1A3< 3B4<
 EN13_HEADSET 1A3< 6A3<
 EN13_LAMPHELL 1A3< 1D4< 6C4<
 EN13_CHARACTER 1A3< 3B3<
 EN13_PENIRQ 1A3< 6B3<
 EN14_BT 1D3< 7B3<
 EN14_LED 1D3< 4B3<
 EN14_FLASH 1A4< 4C2<
 EN14_LIGHT 1A4< 4C2<
 EN14_LBUS 1D3< 7D3<
 EN14_KBL 1A3< 2B2<
 E_GND 6A4< 6B1<
 FM_3K 1A3< 7C4<
 FM_ANT 6B1< 7C4<
 FM_INL 1B1< 7C3<
 FM_INR 1B1< 7C3<
 FM_RST 1D3< 7C3<
 FM_SCL 1A4< 7C3<
 FM_SDA 1A4< 7C3<
 HS1_TX 1B4< 5B3<
 HS1C 6A3< 6B1<
 HS1AL 6A3< 6B1<
 HS1AR 6A3< 6B1<
 I 1A2< 5B2<
 IAC_SCL 1A4< 4A2<
 IAC_SDA 1A4< 4B3<
 IB 1A2< 5B2<
 KCOLB 1D2< 4C2< 6C4<
 KCOL1 1D2< 4C2< 6C4<
 KCOL2 1D2< 6C4<
 KCOL3 1D2< 6C4<
 KCOL6 1D2< 2C3<
 KROWB 1D2< 4B2< 6C4<
 KROW1 1D2< 4B2< 6C4<
 KROW2 1D2< 4B2< 6B4<
 KROW3 1D2< 4B2< 6B4<
 KROW4 1D2< 4B2< 6B4<
 KROW5 1D2< 6B4<
 LB_TX 1B4< 5B3<
 LCD_ID 1A4< 4B3<
 LE 1B4< 5C1<
 LED_HP 2A2< 4C2< 6B4<

LED_N 2B1< 4B2< 4C1<
 LED_P 2A1< 4B2< 4C1<
 LPAR 1C4< 4B4<
 LPAR2_MAINLED 1C4< 4B4<
 LPAR1_SUBLED 1C4< 4B2<
 LRAB 1C4< 4B2<
 LRSTB 1C4< 4B4<
 LSC22B 1A3< 2C3<
 LSC21B 1A3< 2C3<
 LSCR 1A3< 2C3<
 LSDA 1A3< 2C3<
 LSDIN 1A3< 6B3<
 LWRB 1C4< 4B2<
 MCIAS 1A4< 3B2<
 MIC1ASP 1A1< 6A1< 6A4<
 MIC0 1A1< 6A2<
 MIC1 1A1< 6A4<
 MICR0 1A1< 6A2<
 MICP1 1A1< 6A4<
 MP3_OP_ON 1C4< 6C2<
 MP3_OUTL 1B1< 6A4< 6B2<
 MP3_OUTR 1B1< 6A4< 6C2<
 NLE 1D3< 3C3<
 NCEB 1D3< 3C3<
 NCLE 1D3< 3C3<
 NLD0 1D3< 4B2< 3B4<
 NLD1 1D3< 4B2< 3B4<
 NLD2 1D3< 4B2< 3B4<
 NLD3 1D3< 4B2< 3B4<
 NLD4 1D3< 4B2< 3B4<
 NLD5 1D3< 4B2< 3B4<
 NLD6 1D3< 4B2< 3B4<
 NLD7 1D3< 4B2< 3B4<
 NLD8 1D2< 4B2<
 NREB 1D3< 3C3<
 NRRB 1D3< 3C3<
 NREB 1D3< 3C3<
 PA_EN 1B4< 5A3<
 PCHCLK_BT 1D3< 7B2<
 PCHIN_BT 1D3< 7B2<
 PCHOUT_BT 1D3< 7B2<
 PCHSYNC_BT 1D3< 7B2<
 PCHCLK_ON 2C2< 5A1<
 PCH1_MAINLED_B 1A3< 2B1<
 PAREY 2C3< 4B3< 6B1< 6B4<
 0 0
 0B 1A2< 5B2<
 RESET_BT 1D3< 7B2<
 RVCCON 1B4< 5C1<
 SCLK 1B4< 5C1<
 SCLK_SIM 2C3< 3C2<
 SDPA 1B4< 5C1<
 SCLK 1A3< 3B3<
 SD_CMD 1A4< 3B3<
 SD_D0 1A4< 3B3<
 SD_D1 1A4< 3B3<
 SD_D2 1A4< 3B3<
 SD_D3 1A4< 3B3<
 SINDCLK 1B4< 2C3<
 SINDATA 1C4< 2C3<
 SIMRST 1B4< 2C3<
 SIMVCC 1B4< 2C3<
 SIO_SIM 2D3< 3C2<
 SPK_IN 4C3< 6D1< 4B1<
 SPK_IN_MP3 6B4< 6D2<
 SPKIP 4C3< 5C1< 4C1<
 SPKIP_MP3 6B4< 6C2<
 SPK0 1A1< 6D2<
 SPK0 1A1< 6C2<
 SRST_SIM 2D3< 3C2<
 TOUCH_BUSYOUT 1A4< 6B3<
 TP_LSDA 1D3< 6C3<
 TP_LSDA 1A3< 6B3<
 UARD1 1D3< 6B1<
 UARD2_BT 1D3< 7B2<
 USB_LIN 1A4< 6B1< 6B2<
 USB_DP 1A4< 6B1<
 UTXD1 1D3< 6B1<
 UTXD2_BT 1D3< 7B2<
 VAPC 1A2< 5B1<
 VAPC 1A2< 5A3<
 VAPTB 2A2< 2B1< 2B4< 2C3< 4A2< 4C2<
 VAPTB 5A2< 6C4< 6D1<
 VAPTR 5A1< 5C2< 5D2<
 VCC2V 5C1< 5B2<
 VCC_FH 7C4< 7D3<
 VCC_TRX 5B2< 5C2<
 VCCG 2B4< 6B1<
 VCCORE 1C1< 2C2<
 VCCON 1C4< 2C3< 5C2<
 VDD 1B1< 1B3< 1B4< 2C2< 3B2< 3C3<
 VDD 3D4< 4A2< 4C3< 6C4< 6B3< 6C3<
 VDD_1_BV 7A3< 7B3<
 VIB 2C2< 4A2< 6B4<
 VREFL_1_BV 1D2< 2C2< 3B3< 3D3< 3B3<
 VREFN 1A1<
 VREFP 1A1<
 VRTC 1C1< 2C2<
 VSIM 2C2< 3C2<
 VUSB 1C1< 2C2< 6B2< 6C2<
 X1 4B3< 4C4< 6C2<
 X2 4B3< 4C4< 6C2<
 XTAL_IN 5B2< 5C1<
 Y1 4B3< 4C4< 6C2<
 Y2 4B3< 4C4< 6C2<

NO./NAME MODIFIED MODIFIED	SCHEMATIC	DATE 26/05/2007	VERIFIE CHECKED	NO./NAME	DATE
	LIBELLE				
	IDENTIFICATION				
	R.FAB/P.N.				
	NINGBO SAGEM BIRD				
	FORMAT				
	SIZE				
	A 2				
	NUMERO DU DOCUMENT				
	4000013697				
	DRAWING NUMBER				
	R43				
	FEUILLE/HEET				
	RD CO. LTD.				
	NINGBO SAGEM BIRD				
	VER.				
	DATE				
	TYPE				
	01				
	VERS.				
	REC.				

4000013697R4300001

*** Unit Cross-Reference ***
--- for the entire design ---

INT501 POINTST	5B4
B201 SELFCHS	2P2
B202 SELFCHS	2C2
B203 SELFCHS	2P2
B204 SELFCHS	2P4
B501 SELFCHS	5A3
B502 SELFCHS	5B3
B601 SELFCHS	6A1
B601 SELFCHS	6A3
B602 SELFCHS	6A3
B603 SELFCHS	6A2
B604 SELFCHS	6A2
B605 SELFCHS	6A2
B702 SELFCHS	1C1
BL401 BLINDIP	4C1
BL402 BLINDIP	4C1
BL403 BLINDIP	4C1
BT201 BATTERIE	2D3
BTR701 CONNAPS	7B4
C101 PC0402	1H4
C102 PC0402	1B4
C103 PC0402	112
C104 PC0402	1C1
C105 PC0402	1C1
C106 PC0402	1B1
C107 PC0402	1B1
C108 PC0402	1A1
C109 PC0402	1A1
C110 PC0402	1A1
C111 PC0402	1A2
C112 PC0402	1A2
C113 PC0402	1A2
C114 PC0402	114
C115 PC0402	114
C201 PC0603CSR	2B4
C202 PC0402	2B4
C203 PC0402	2B4
C204 PC0603CSR	2B3
C205 PC0603CSR	2B3
C206 PC0402	2B3
C207 PC0402	2D3
C208 PC0402	2C2
C209 PC0603CSR	2C2
C210 PC0603CSR	2C2
C211 PC0603CSR	2C2
C212 PC0402	2C2
C213 PC0402	2C2
C214 PC0402	2C2
C215 PC0603CSR	2C2
C216 PC0603CSR	2C2
C217 PC0402	2C2
C218 PC0402	2C2
C219 PC0402	2C2
C220 PC0402	2C2
C221 PC0402	2B2
C222 PC0603CSR	2P2
C223 PC0603CSR	2P2
C301 PC0402	3D4
C302 PC0402	3D4
C303 PC0402	3D3
C304 PC0402	3D3
C305 PC0402	3B2
C306 PC0402	3B2
C306 PC0402	3C2
C401 PC0402	4C3
C402 PC0402	4C3
C403 PC0402	4C3
C404 PC0402	4D3
C405 PC0402	4D3
C406 PC0402	4D2
C407 PC0402	4D3
C501 PC0402	5B4
C502 PC0402	5B4
C503 PC0402	5B4
C504 PC0402	5A3
C505 PC0402	5A3
C506 PC0402	5A3
C507 PC0402	5B3
C508 PC0402	5A3
C509 PC0402	5A3
C510 PC0402	5A3
C511 PC0402	5A3
C512 PC0402	5A3
C514 TRNTRLECHS	5A1
C515 PC0605	5A1
C516 PC0402	5A1
C517 PC0402	5B2
C518 PC0402	5B2
C519 PC0402	5B2
C520 PC0402	5B1
C521 PC0603CSR	5B3
C522 PC0402	5B2
C523 PC0402	5B2
C524 PC0603CSR	5B2
C525 PC0402	5C2
C526 PC0402	5C2
C527 PC0402	5D2
C528 PC0603CSR	5D2
C529 PC0402	5D2
C530 PC0603CSR	5D2
C531 PC0402	5D2
C532 PC0603CSR	5C1
C533 PC0402	5C1
C534 PC0603CSR	5C1
C535 PC0402	5B2
C536 PC0402	5B2
C537 PC0402	5C3
C538 PC0402	5C3
C539 PC0402	5C3
C540 PC0402	5C3
C541 PC0402	5C3
C542 PC0402	5C3
C543 PC0402	5C3
C544 PC0402	5C3
C545 PC0402	5B3
C547 PC0402	5B3
C549 PC0402	5B3

C550 PC0603CSR	5B2
C551 PC0402	5C1
C552 PC0402	5A4
C553 PC0402	5A4
C554 PC0402	5A4
C555 PC0402	5A4
C556 PC0603CSR	5A4
C557 PC0605	5A4
C558 PC0605	5A4
C559 PC0402	5A3
C560 PC0402	5A3
C561 PC0402	5B3
C562 PC0402	5A2
C563 PC0402	5A2
C564 PC0402	5A2
C565 PC0402	5A2
C566 PC0402	5A2
C567 PC0402	5A2
C568 PC0402	5A2
C569 PC0402	5A2
C570 PC0402	5A2
C571 PC0402	5A2
C572 PC0402	5A2
C573 PC0402	5A2
C574 PC0402	5A2
C575 PC0402	5A2
C576 PC0402	5A2
C577 PC0402	5A2
C578 PC0402	5A2
C579 PC0402	5A2
C580 PC0402	5A2
C581 PC0402	5A2
C582 PC0402	5A2
C583 PC0402	5A2
C584 PC0603CSR	5C2
C701 PC0402	7B4
C702 PC0402	7B4
C703 PC0402	7B3
C704 PC0402	7B3
C705 PC0402	7B3
C706 PC0402	7B3
C707 PC0402	7B3
C708 PC0402	7B3
C709 PC0402	7B3
C710 PC0402	7B3
C711 PC0402	7B3
C712 PC0402	7A3
C713 PC0402	7A3
C714 PC0402	7A3
C715 PC0402	7A3
C716 PC0402	7A3
C717 PC0402	7A3
C718 PC0402	7A3
C719 PC0402	7C4
C720 PC0402	7D4
C721 PC0402	7D4
C722 PC0402	7C3
C723 PC0402	7C3
C724 PC0402	7C3
C801 PC0402	8B3
C802 PC0402	8B2
C803 DIODE	2C3
D202 DIODE	2A2
D201 DIODE	6B2
ESD307 NZ0456AV5 3C2	
ESD401 NZ0456AV5 4D3	
ESD501 VARISTRANCE 6B2	
J201 CONNAPS	2B4
J301 SIM_FLASH 3B2 3C2	
J401 CONNAPS 4A3	
J501 CONNAPS	5B4
J502 CONNAPS	5B2
L201 SELFCHS	2A2
L202 SELFCHS	2A2
L203 SELFCHS	2A2
L204 SELFCHS	2A2
L205 SELFCHS	2A2
L206 SELFCHS	2A2
L207 SELFCHS	2A2
L208 SELFCHS	2A2
L209 SELFCHS	2A2
L210 SELFCHS	2A2
L211 SELFCHS	2A2
L212 SELFCHS	2A2
L213 SELFCHS	2A2
L214 SELFCHS	2A2
L215 SELFCHS	2A2
L216 SELFCHS	2A2
L217 SELFCHS	2A2
L218 SELFCHS	2A2
L219 SELFCHS	2A2
L220 SELFCHS	2A2
L221 SELFCHS	2A2
L222 SELFCHS	2A2
L223 SELFCHS	2A2
L224 SELFCHS	2A2
L225 SELFCHS	2A2
L226 SELFCHS	2A2
L227 SELFCHS	2A2
L228 SELFCHS	2A2
L229 SELFCHS	2A2
L230 SELFCHS	2A2
L231 SELFCHS	2A2
L232 SELFCHS	2A2
L233 SELFCHS	2A2
L234 SELFCHS	2A2
L235 SELFCHS	2A2
L236 SELFCHS	2A2
L237 SELFCHS	2A2
L238 SELFCHS	2A2
L239 SELFCHS	2A2
L240 SELFCHS	2A2
L241 SELFCHS	2A2
L242 SELFCHS	2A2
L243 SELFCHS	2A2
L244 SELFCHS	2A2
L245 SELFCHS	2A2
L246 SELFCHS	2A2
L247 SELFCHS	2A2
L248 SELFCHS	2A2
L249 SELFCHS	2A2
L250 SELFCHS	2A2
L251 SELFCHS	2A2
L252 SELFCHS	2A2
L253 SELFCHS	2A2
L254 SELFCHS	2A2
L255 SELFCHS	2A2
L256 SELFCHS	2A2
L257 SELFCHS	2A2
L258 SELFCHS	2A2
L259 SELFCHS	2A2
L260 SELFCHS	2A2
L261 SELFCHS	2A2
L262 SELFCHS	2A2
L263 SELFCHS	2A2
L264 SELFCHS	2A2
L265 SELFCHS	2A2
L266 SELFCHS	2A2
L267 SELFCHS	2A2
L268 SELFCHS	2A2
L269 SELFCHS	2A2
L270 SELFCHS	2A2
L271 SELFCHS	2A2
L272 SELFCHS	2A2
L273 SELFCHS	2A2
L274 SELFCHS	2A2
L275 SELFCHS	2A2
L276 SELFCHS	2A2
L277 SELFCHS	2A2
L278 SELFCHS	2A2
L279 SELFCHS	2A2
L280 SELFCHS	2A2
L281 SELFCHS	2A2
L282 SELFCHS	2A2
L283 SELFCHS	2A2
L284 SELFCHS	2A2
L285 SELFCHS	2A2
L286 SELFCHS	2A2
L287 SELFCHS	2A2
L288 SELFCHS	2A2
L289 SELFCHS	2A2
L290 SELFCHS	2A2
L291 SELFCHS	2A2
L292 SELFCHS	2A2
L293 SELFCHS	2A2
L294 SELFCHS	2A2
L295 SELFCHS	2A2
L296 SELFCHS	2A2
L297 SELFCHS	2A2
L298 SELFCHS	2A2
L299 SELFCHS	2A2
L300 SELFCHS	2A2
L301 SELFCHS	2A2
L302 SELFCHS	2A2
L303 SELFCHS	2A2
L304 SELFCHS	2A2
L305 SELFCHS	2A2
L306 SELFCHS	2A2
L307 SELFCHS	2A2
L308 SELFCHS	2A2
L309 SELFCHS	2A2
L310 SELFCHS	2A2
L311 SELFCHS	2A2
L312 SELFCHS	2A2
L313 SELFCHS	2A2
L314 SELFCHS	2A2
L315 SELFCHS	2A2
L316 SELFCHS	2A2
L317 SELFCHS	2A2
L318 SELFCHS	2A2
L319 SELFCHS	2A2
L320 SELFCHS	2A2
L321 SELFCHS	2A2
L322 SELFCHS	2A2
L323 SELFCHS	2A2
L324 SELFCHS	2A2
L325 SELFCHS	2A2
L326 SELFCHS	2A2
L327 SELFCHS	2A2
L328 SELFCHS	2A2
L329 SELFCHS	2A2
L330 SELFCHS	2A2
L331 SELFCHS	2A2
L332 SELFCHS	2A2
L333 SELFCHS	2A2
L334 SELFCHS	2A2
L335 SELFCHS	2A2
L336 SELFCHS	2A2
L337 SELFCHS	2A2
L338 SELFCHS	2A2
L339 SELFCHS	2A2
L340 SELFCHS	2A2
L341 SELFCHS	2A2
L342 SELFCHS	2A2
L343 SELFCHS	2A2
L344 SELFCHS	2A2
L345 SELFCHS	2A2
L346 SELFCHS	2A2
L347 SELFCHS	2A2
L348 SELFCHS	2A2
L349 SELFCHS	2A2
L350 SELFCHS	2A2
L351 SELFCHS	2A2
L352 SELFCHS	2A2
L353 SELFCHS	2A2
L354 SELFCHS	2A2
L355 SELFCHS	2A2
L356 SELFCHS	2A2
L357 SELFCHS	2A2
L358 SELFCHS	2A2
L359 SELFCHS	2A2
L360 SELFCHS	2A2
L361 SELFCHS	2A2
L362 SELFCHS	2A2
L363 SELFCHS	2A2
L364 SELFCHS	2A2
L365 SELFCHS	2A2
L366 SELFCHS	2A2
L367 SELFCHS	2A2
L368 SELFCHS	2A2
L369 SELFCHS	2A2
L370 SELFCHS	2A2
L371 SELFCHS	2A2
L372 SELFCHS	2A2
L373 SELFCHS	2A2
L374 SELFCHS	2A2
L375 SELFCHS	2A2
L376 SELFCHS	2A2
L377 SELFCHS	2A2
L378 SELFCHS	2A2
L379 SELFCHS	2A2
L380 SELFCHS	2A2
L381 SELFCHS	2A2
L382 SELFCHS	2A2
L383 SELFCHS	2A2
L384 SELFCHS	2A2
L385 SELFCHS	2A2
L386 SELFCHS	2A2
L387 SELFCHS	2A2
L388 SELFCHS	2A2
L389 SELFCHS	2A2
L390 SELFCHS	2A2
L391 SELFCHS	2A2
L392 SELFCHS	2A2
L393 SELFCHS	2A2
L394 SELFCHS	2A2
L395 SELFCHS	2A2
L396 SELFCHS	2A2
L397 SELFCHS	2A2
L398 SELFCHS	2A2
L399 SELFCHS	2A2
L400 SELFCHS	2A2

R205 PR0402	6A3
R206 PR0402	6A3
R207 PR0402	6A1
R208 PR0402	6C2
R209 PR0402	6C2
R210 PR0402	6D2
R211 PR0402	6D2
R212 PR0402	6D2
R213 PR0402	6D2
R214 PR0402	6C2
R215 PR0402	6C2
R216 PR0402	6D2
R217 PR0402	6C2
R218 PR0402	6D2
R219 PR0402	6B2
R220 PR0402	6B2
R221 PR0402	6C2
R222 PR0402	6C2
R223 PR0402	6C2
R224 PR0402	6C2
R225 PR0402	6C2
R226 PR0402	6C2
R227 PR0402	6C2
R228 PR0402	6C2
R229 PR0402	6C2
R230 PR0402	6C2
R231 PR0402	6C2
R232 PR0402	6C2
R233 PR0402	6C2
R234 PR0402	6C2
R235 PR0402	6C2
R236 PR0402	6C2
R237 PR0402	6C2
R238 PR0402	6C2
R239 PR0402	6C2
R240 PR0402	6C2
R241 PR0402	6C2
R242 PR0402	6C2
R243 PR0402	6C2
R244 PR0402	6C2
R245 PR0402	6C2
R246 PR0402	6C2
R247 PR0402	6C2
R248 PR0402	6C2
R249 PR0402	6C2
R250 PR0402	6C2
R251 PR0402	6C2
R252 PR0402	6C2
R253 PR0402	6C2
R254 PR0402	6C2
R255 PR0402	6C2
R256 PR0402	6C2
R257 PR0402	6C2
R258 PR0402	6C2
R259 PR0402	6C2
R260 PR0402	6C2
R261 PR0402	6C2
R262 PR0402	6C2
R263 PR0402	6C2
R264 PR0402	6C2
R265 PR0402	6C2
R266 PR0402	6C2
R267 PR0402	6C2
R268 PR0402	6C2
R269 PR0402	6C2
R270 PR0402	6C2
R271 PR0402	6C2
R272 PR0402	6C2
R273 PR0402	6C2
R274 PR0402	6C2
R275 PR0402	6C2
R276 PR0402	6C2
R277 PR0402	6C2
R278 PR0402	6C2
R279 PR0402	6C2
R280 PR0402	6C2
R281 PR0402	6C2
R282 PR0402	6C2
R283 PR0402	6C2
R284 PR0402	6C2
R285 PR0402	6C2
R286 PR0402	6C2
R287 PR0402	6C2
R288 PR0402	6C2
R289 PR0402	6C2
R290 PR0402	6C2
R291 PR0402	6C2
R292 PR0402	6C2
R293 PR0402	6C2
R294 PR0402	6C2
R295 PR0402	6C2
R296 PR0402</	