

RF
RF.Sch

AUDIO_KEYPAD
AUDIO_KEYPAD.Sch

DSP_MT6226
DSP_MT6226.Sch

PMU
PMU.Sch

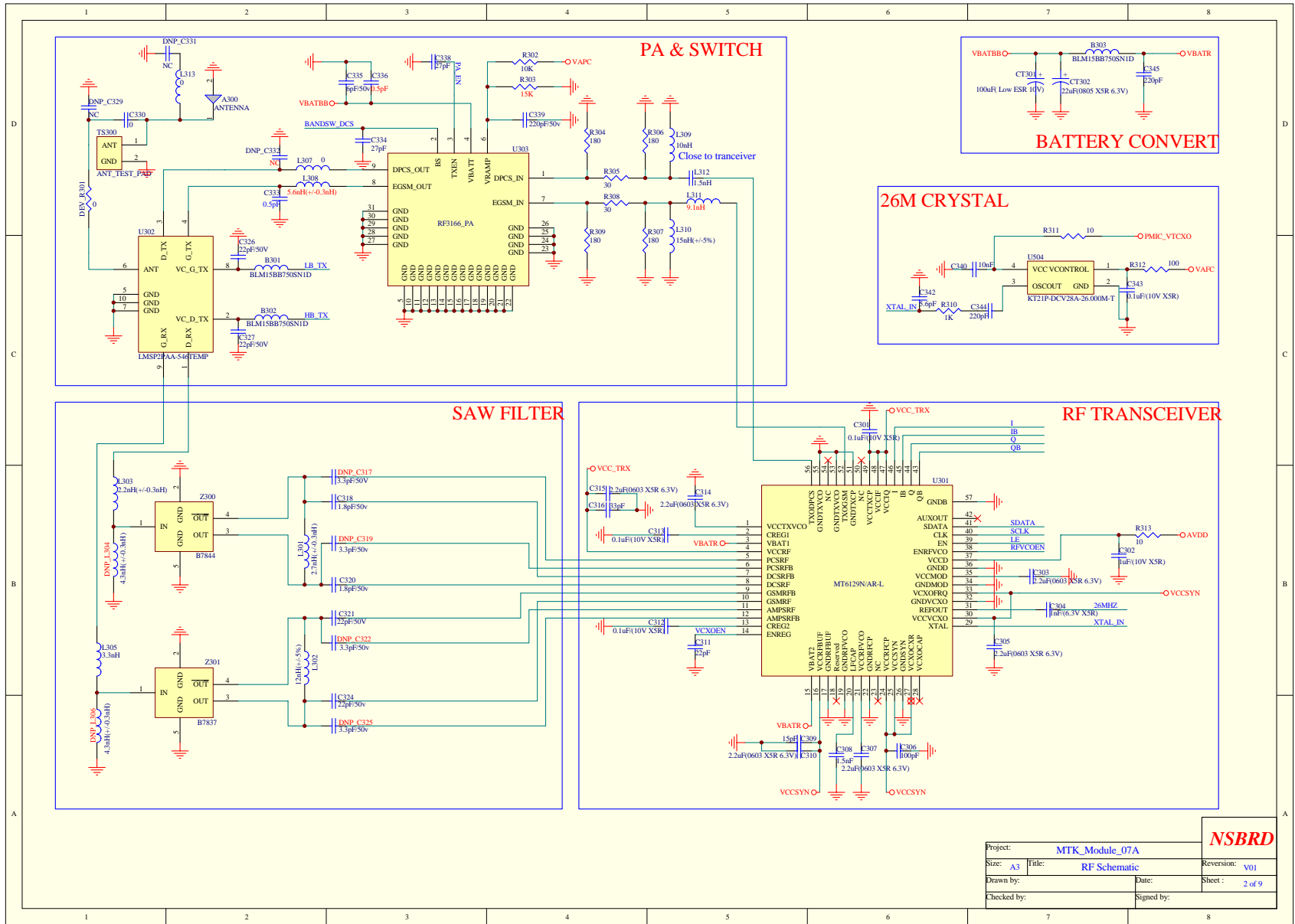
Memory
Memory.Sch

LCD_CAM_INTER
LCD_CAM_INTER.Sch

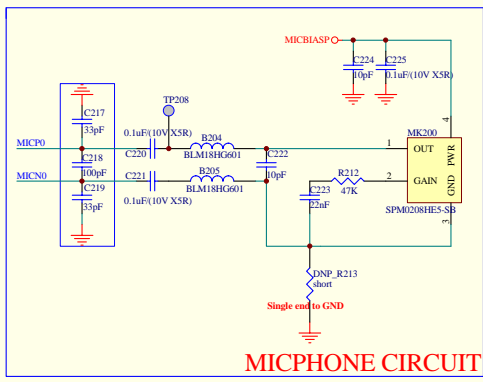
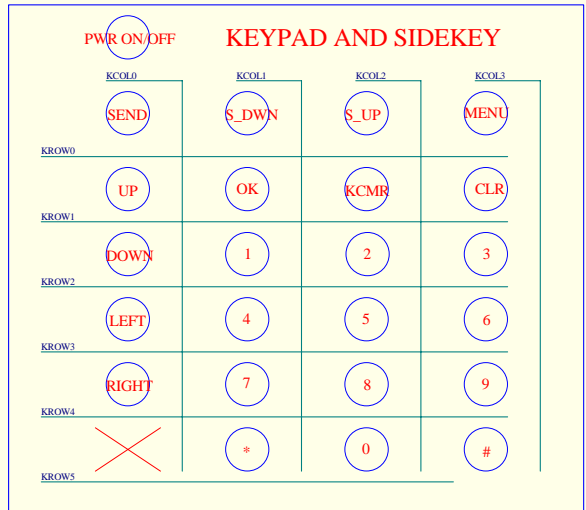
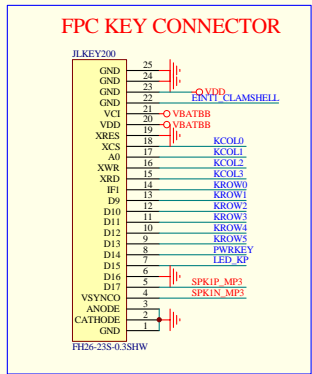
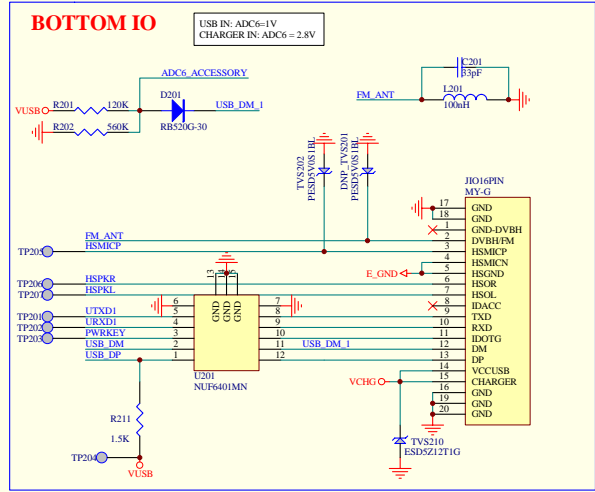
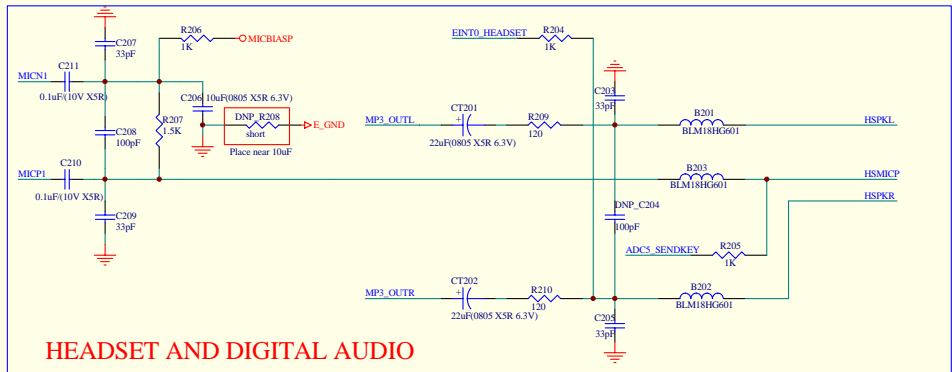
FM_BT
FM_BT.Sch

TOUCH_PANNEL
TOUCH_PANNEL.Sch

Project:		MTK_Module_07A		NSBRD
Size:	A3	Title:	MT6226M	
Drawn by:		Date:		Reversion: v01
Checked by:		Signed by:		Sheet: 1 of 9

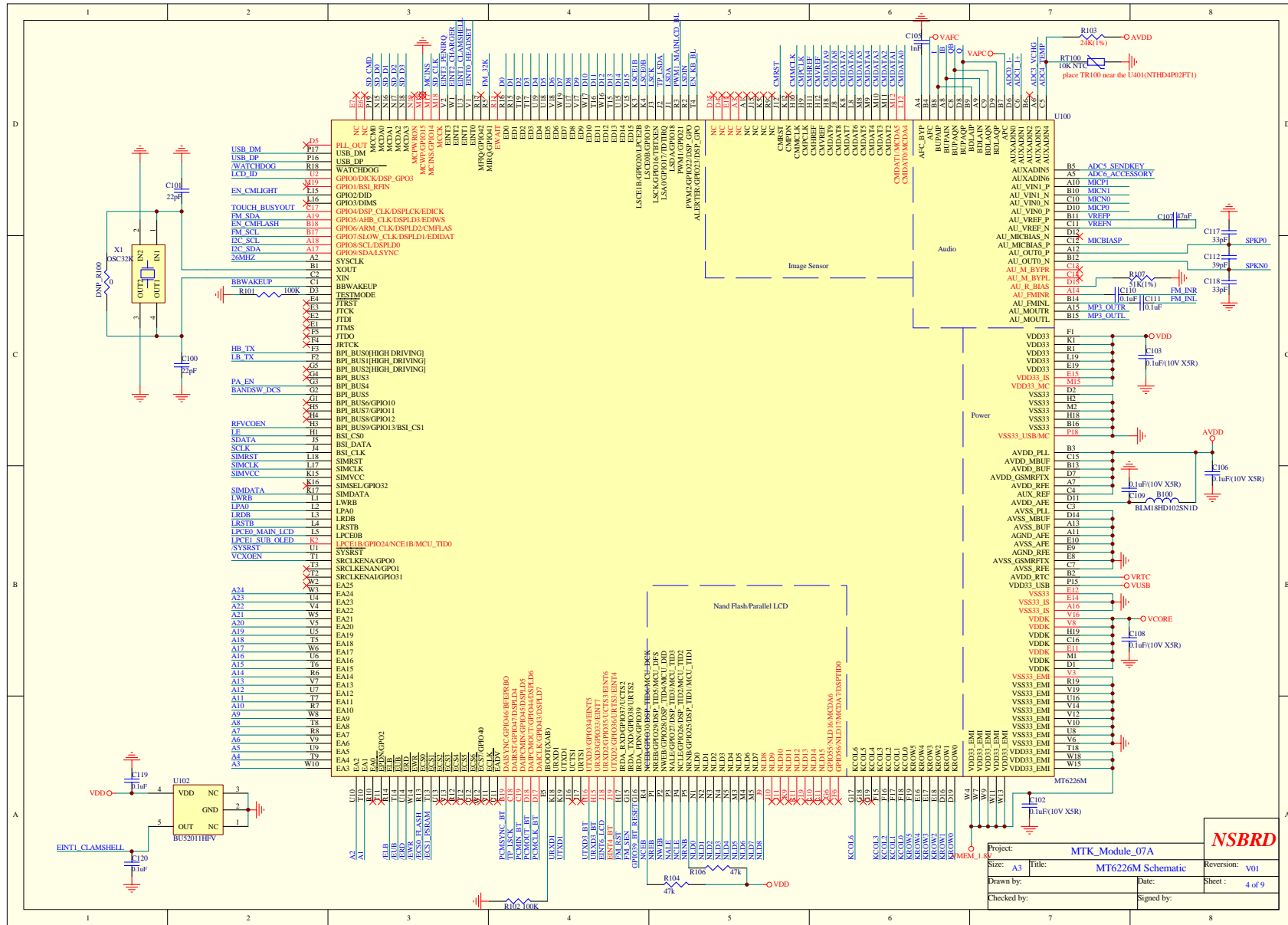


Project:	MTK_Module_07A		NSBRD	
Size:	A3	Title:		RF Schematic
Drawn by:		Date:		
Checked by:		Reversion:		V01
		Sheet:		2 of 9



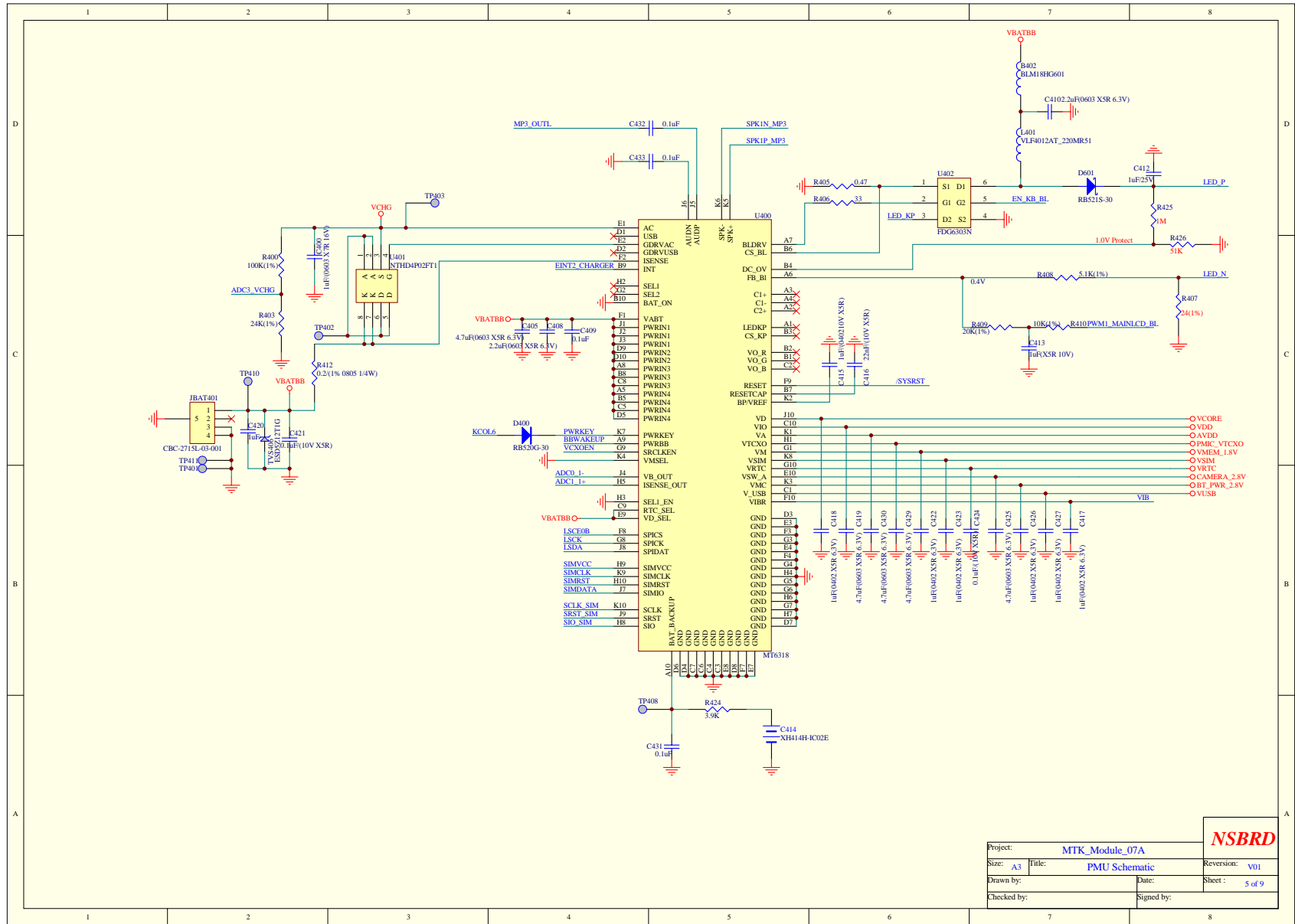
Project:	MTK_Module_07A	
Size:	A3	Title: AUDIO_KEYPAD Schematic
Drawn by:		Date:
Checked by:		Signed by:
Revision:	v01	Sheet: 3 of 9

NSBRD



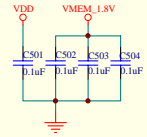
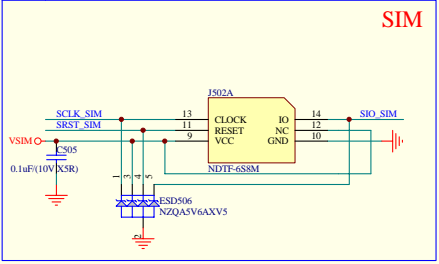
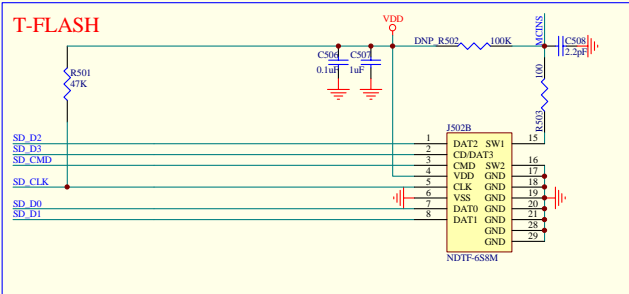
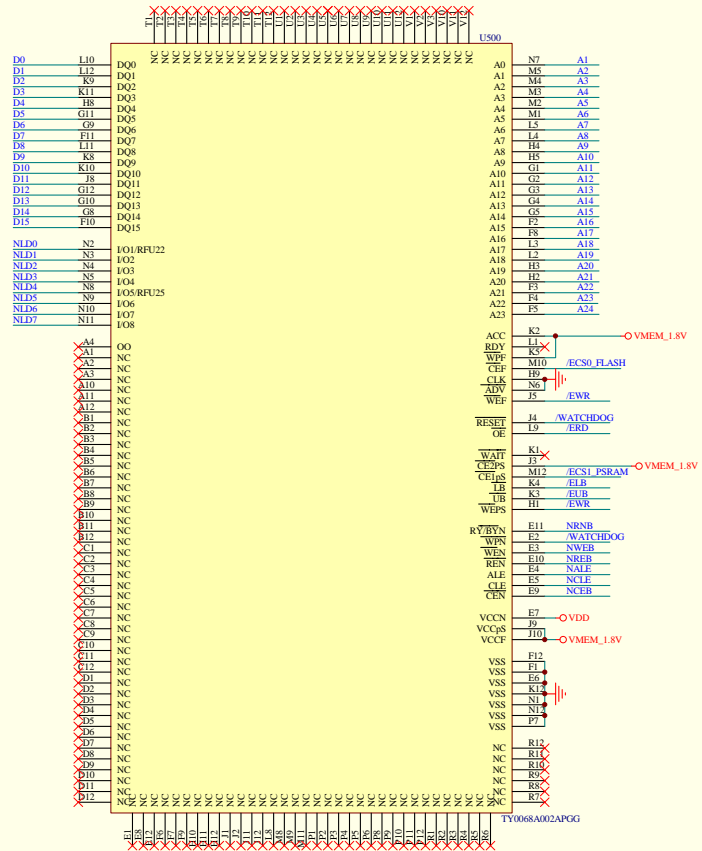
Project: MTK Module 07A
 Size: A3 Title: MTK6226M Schematic Revision: V01
 Drawn by: Date: Sheet: 4 of 9
 Checked by: Signed by:

NSBRD



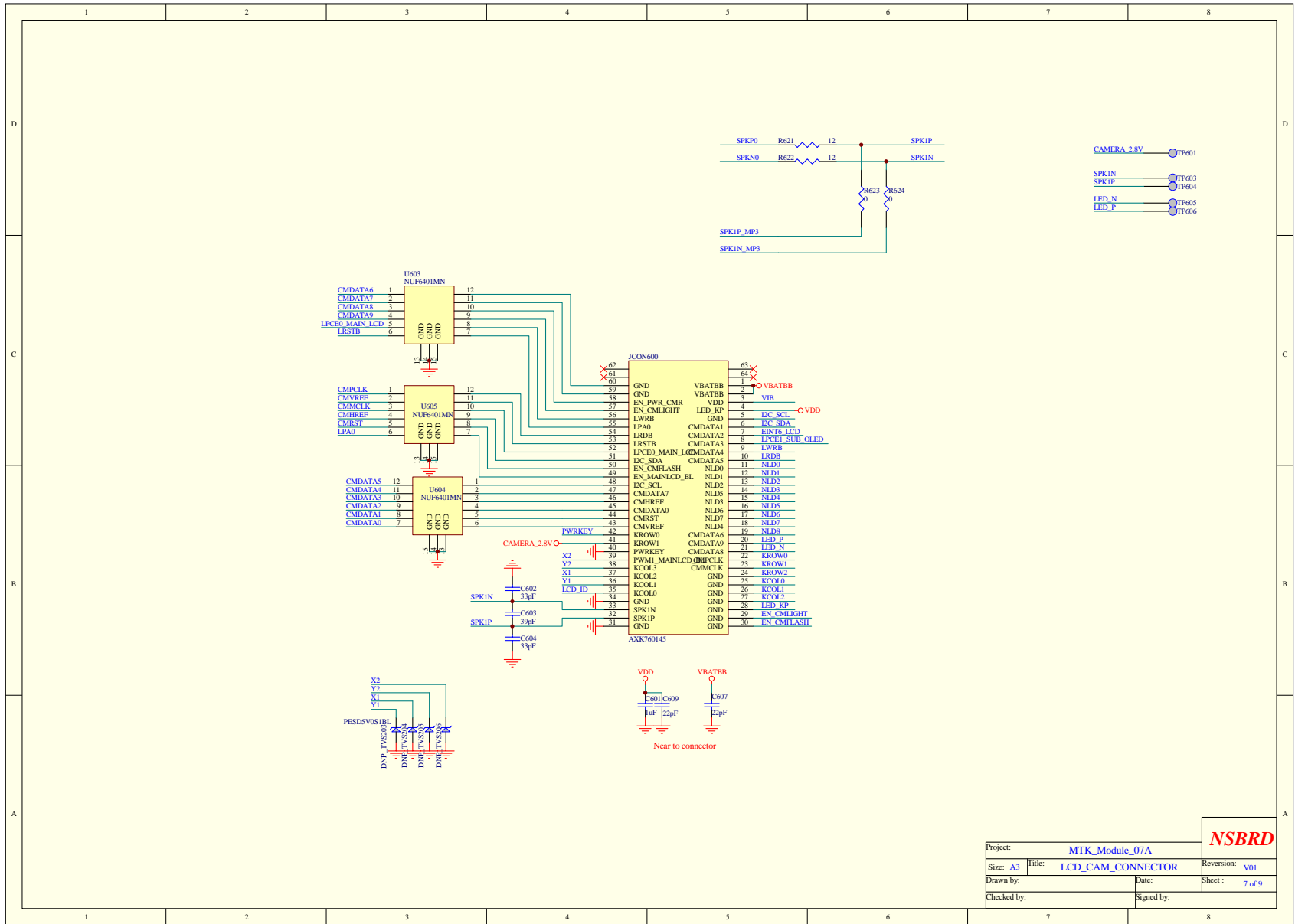
Project: MTK_Module_07A		NSBRD	
Size: A3	Title: PMU Schematic		Revision: V01
Drawn by:	Date:		Sheet: 5 of 9
Checked by:	Signed by:		

TOSHIBA COMBINE FLASH 64+256+512



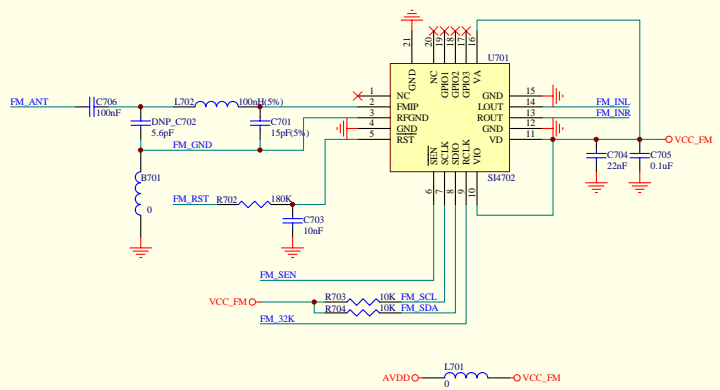
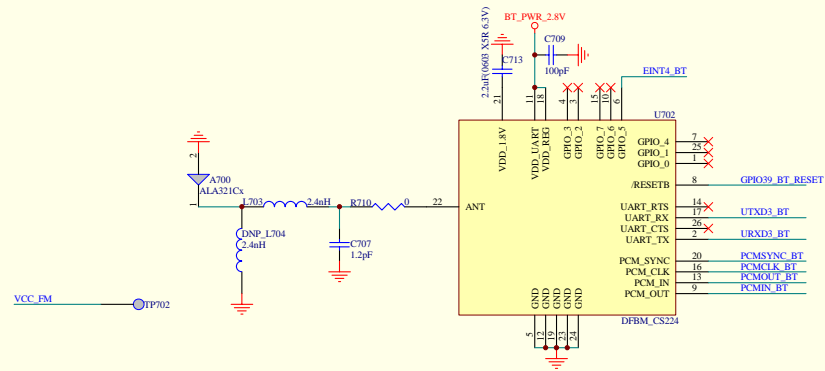
Project:	MTK_Module_07A	
Size:	Title:	Memory Schematic
Drawn by:	Date:	Sheet : 6 of 9
Checked by:	Signed by:	

NSBRD



Project:	MTK_Module_07A		NSBRD
Size:	A3	Title: LCD_CAM_CONNECTOR	
Drawn by:		Date:	Sheet: 7 of 9
Checked by:		Signed by:	

BLUE TOOTH



MTK_Module_07A		NSBRD
Size: A3	Title: BT_FM Schematic	
Drawn by:	Date:	Sheet: 8 of 9
Checked by: Project:	Signed by:	

Size: 7

8

