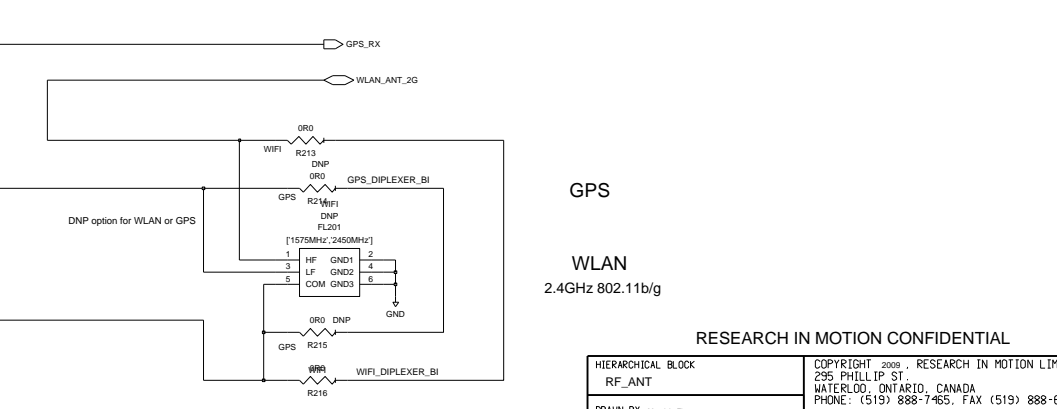
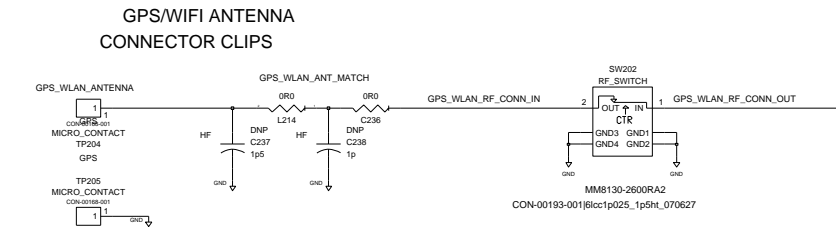
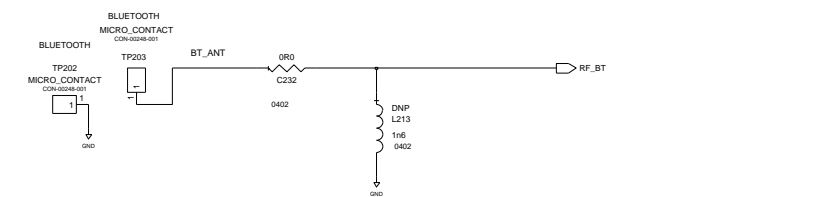
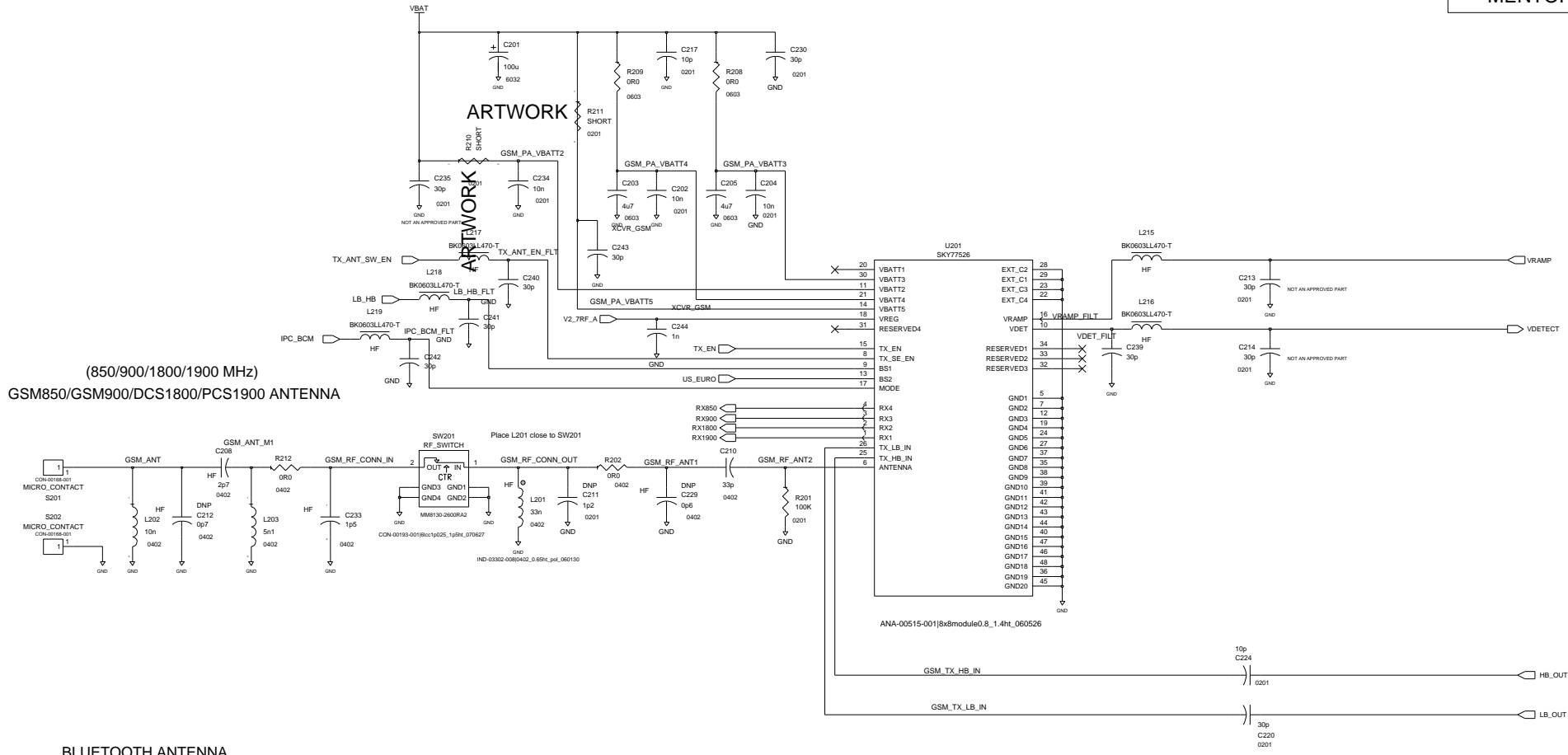


RESEARCH IN MOTION CONFIDENTIAL

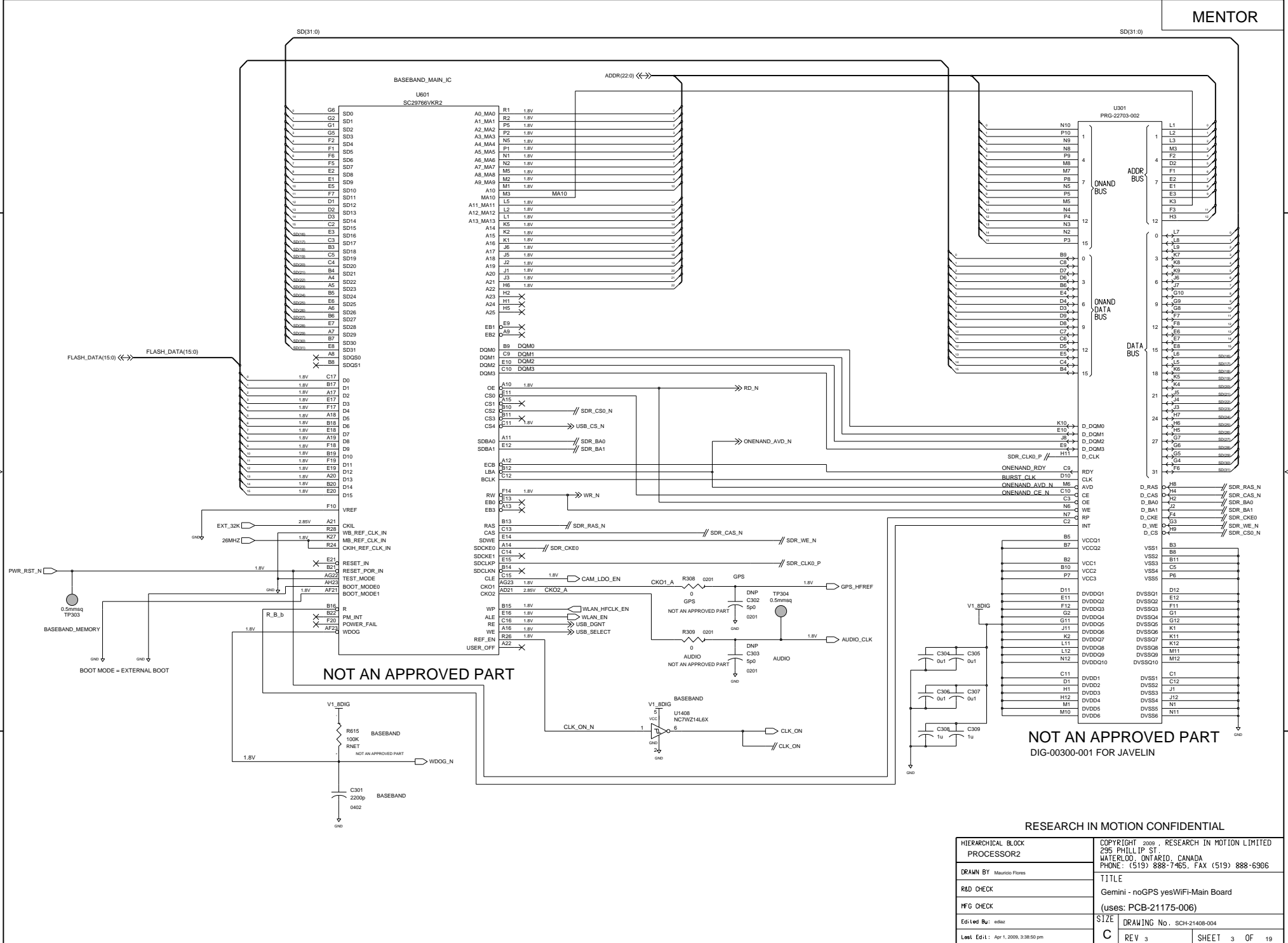
<b>HIERARCHICAL BLOCK</b>		COPYRIGHT 2010, RESEARCH IN MOTION LIMITED	
<b>MAIN</b>		295 PHILLIP ST.	
<b>DRAWN BY</b> Mauricio Flores		WATERLOO, ONTARIO, CANADA	
<b>R&amp;D CHECK</b>		PHONE: (519) 888-7465, FAX (519) 888-6306	
<b>HFG CHECK</b>		<b>TITLE</b>	
		Gemini - noGPS yesWiFi-Main Board	
<b>Edi Led Bu:</b> blattamm		<b>SIZE</b>	
		(Units: PCB-21175-006)	
<b>Lead Ed1:</b> Jan 26, 2010, 1:13:20 pm		<b>DRAWING No.</b> SCH-21408-004	
		<b>REV</b> 3	
		<b>SHEET</b> 1 OF 19	

COPIED FROM POP-17811-005 REV. D ON JULY 25/08



RESEARCH IN MOTION CONFIDENTIAL

HIERARCHICAL BLOCK RF_ANT	COPYRIGHT 2009, RESEARCH IN MOTION LIMITED 295 PHILLIP ST. WATERLOO, ONTARIO, CANADA PHONE: (519) 888-7465, FAX (519) 888-6306
DRAWN BY Mauricio Flores	TITLE Gemini - noGPS yesWiFi-Main Board
R&D CHECK	(uses: PCB-21175-006)
HFG CHECK	SIZE DRAWING No. SCH-21408-004
Edi Led By: mafiores	C REV 3 SHEET 2 OF 19
Level: Ed1:1 Jul 22, 2009, 3:54:18 pm	



NOT AN APPROVED PART  
DIG-00300-001 FOR JAVELIN

RESEARCH IN MOTION CONFIDENTIAL

HIERARCHICAL BLOCK PROCESSOR2		COPYRIGHT 2009, RESEARCH IN MOTION LIMITED 295 PHILLIP ST. WATERLOO, ONTARIO, CANADA PHONE: (519) 888-7465, FAX (519) 888-6306
DRAWN BY: Mauricio Flores		
R&D CHECK		TITLE Gemini - noGPS yesWiFi-Main Board
MFG CHECK		(uses: PCB-21175-006)
Edi Led Bu: ediz		SIZE DRAWING No. SCH-21408-004
Last Ed: 1 Apr 1, 2009, 3:38:50 pm		C REV 3 SHEET 3 OF 19

NOT AN APPROVED PART

NOT AN APPROVED PART

PLACE CLOSE TO ARGON

ARTWORK

ARTWORK

ARTWORK

ARTWORK

ARTWORK

ARTWORK

ARTWORK

ARTWORK

ARTWORK

D

D

C

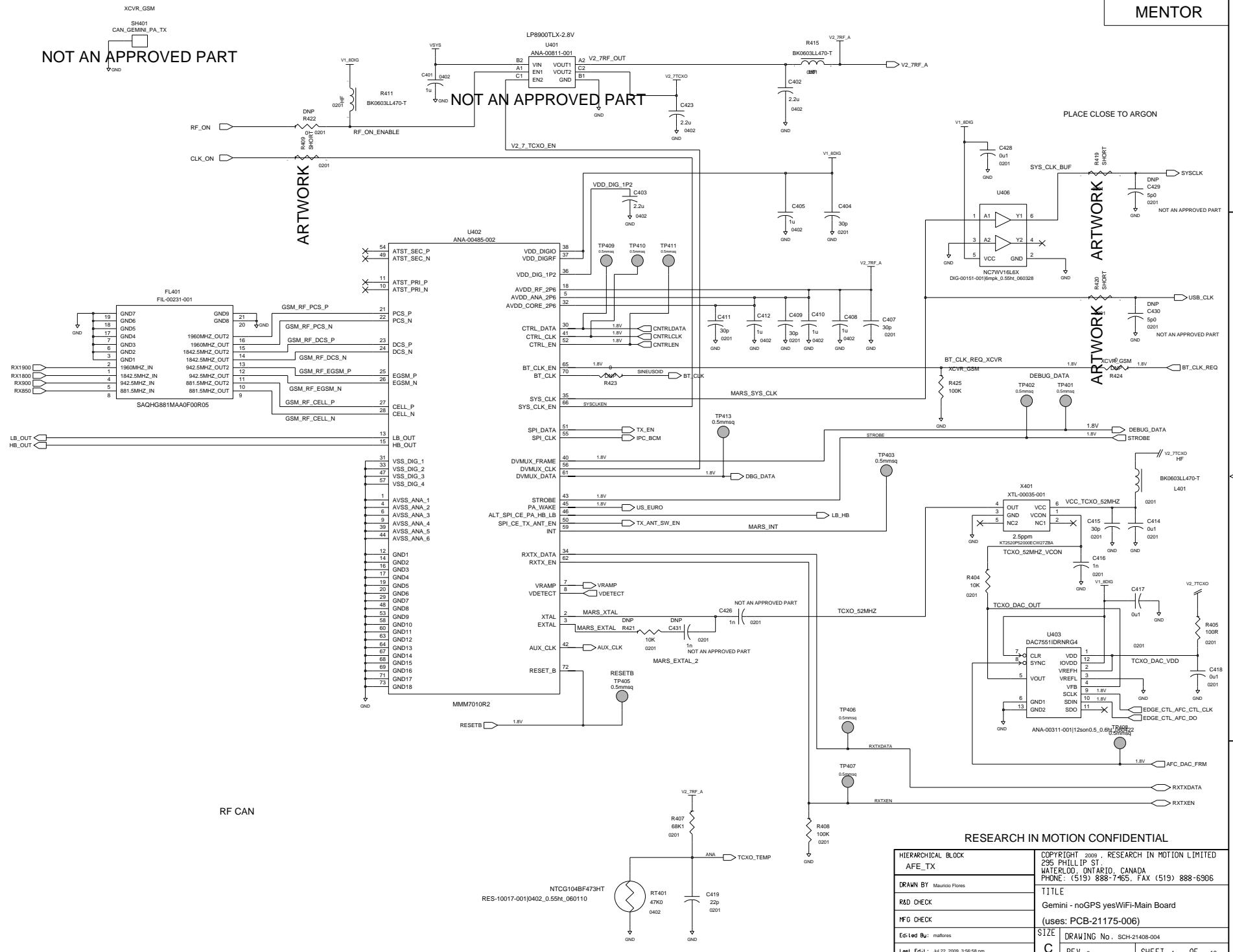
C

B

B

A

A

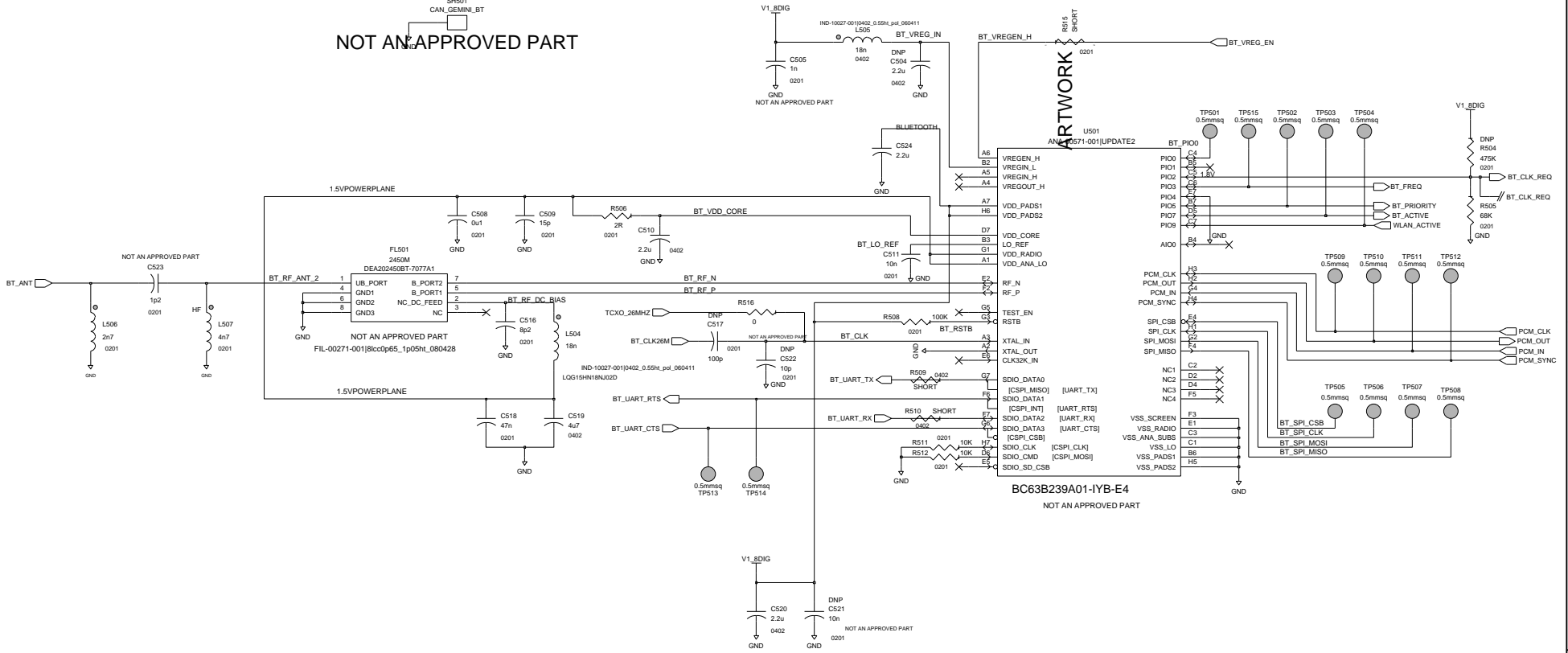


RESEARCH IN MOTION CONFIDENTIAL

HIERARCHICAL BLOCK AFE_TX		COPYRIGHT 2009, RESEARCH IN MOTION LIMITED 295 PHILLIP ST. WATERLOO, ONTARIO, CANADA PHONE: (519) 888-7465, FAX (519) 888-6306	
DRAWN BY Mauricio Flores		TITLE Gemini - noGPS yesWiFi-Main Board (uses: PCB-21175-006)	
R&D CHECK		Edi Led Bu: maflores	
SHEET 4 OF 19		DRAWING No. SCH-21408-004	
REV 3		DATE: Jul 22, 2009, 3:56:58 pm	

BLUETOOTH

BLUETOOTH  
SH1501  
CAN\_GEMINI\_BT  
**NOT AN APPROVED PART**



RESEARCH IN MOTION CONFIDENTIAL

HIERARCHICAL BLOCK BT_XCVR		COPYRIGHT 2009, RESEARCH IN MOTION LIMITED 295 PHILLIP ST. WATERLOO, ONTARIO, CANADA PHONE: (519) 888-7465, FAX (519) 888-6306	
DRAWN BY Mauricio Flores		TITLE Gemini - noGPS yesWiFi-Main Board (uses: PCB-21175-006)	
R&D CHECK		SIZE C	
MFG CHECK		DRAWING No. SCH-21408-004	
Edi Led By: mafiores		REV 3	
Level: Ed1: Jul 22, 2009, 5:34:59 pm		SHEET 5 OF 19	

DIGITAL CAN

BASEBAND\_MAIN\_IC

BASEBAND

U601

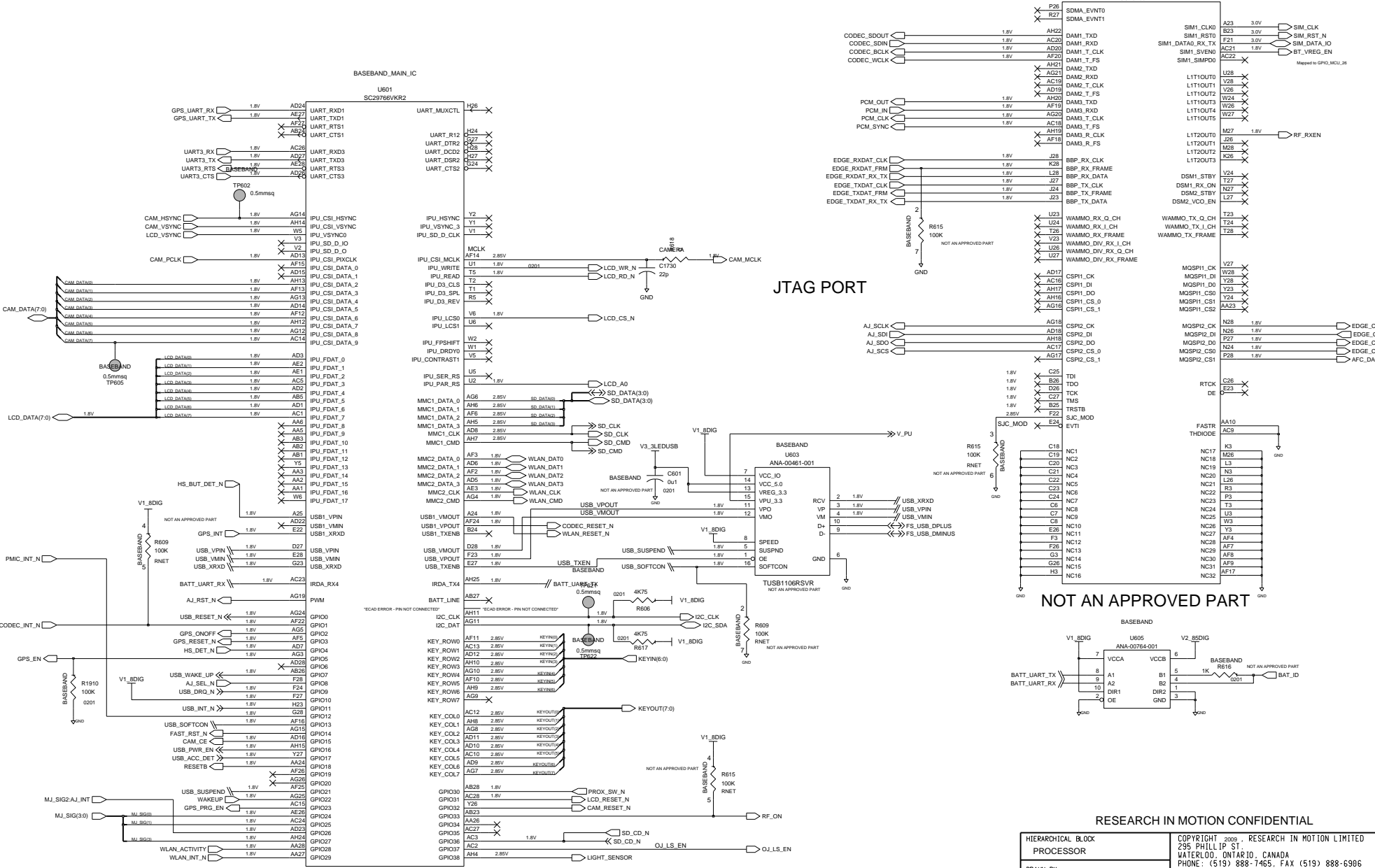
SC2976VKR2

U603

ANA-00461-001

U605

ANA-00764-001

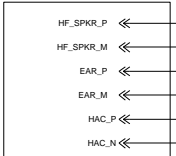
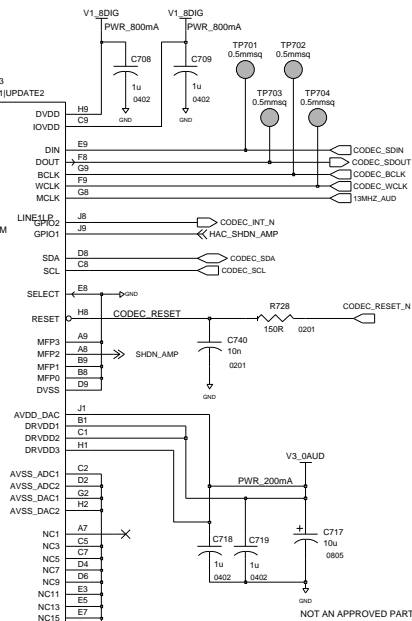
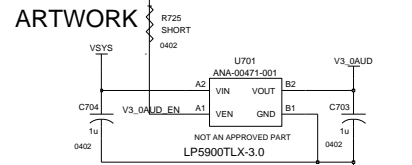


JTAG PORT

NOT AN APPROVED PART

NOT AN APPROVED PART

RESEARCH IN MOTION CONFIDENTIAL			
HIERARCHICAL BLOCK	PROCESSOR		
DRAWN BY	Mauricio Flores		
R&D CHECK	TITILE		
YFG CHECK	Gemini - noGPS yesWiFi-Main Board		
Ed: l ed By: mafiores	SIZE		
Level Ed: 1	Jul 22, 2009, 3:57:29 pm	C	REV 3
			SHEET 6 OF 19

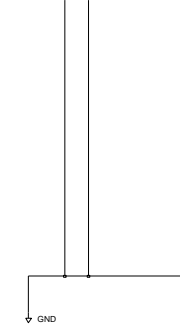
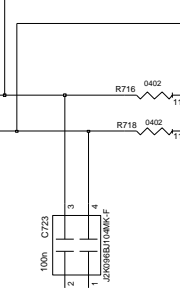


\*\*\*\*\* IMPORTANT \*\*\*\*\*  
AUDIO: PLEASE MAKE MIC PADS GOLD PLATED

To Headset Jack Connector

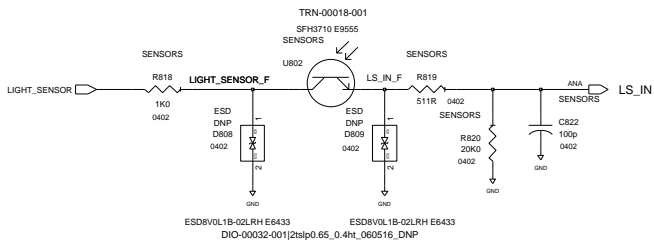


Headset Impedance Detector

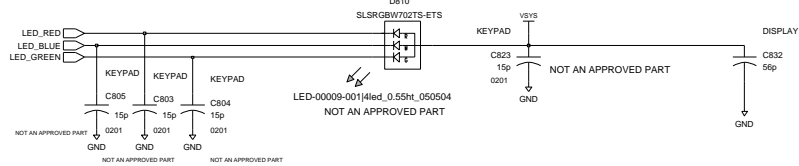


HIERARCHICAL BLOCK		AUDIO	
DRAWN BY		Mauricio Flores	
R&D CHECK			
MFG CHECK			
Edi Led By:		maiores	
Level:		Ed1: Jul 22, 2009, 5:28:15 pm	
COPYRIGHT		© 2009, RESEARCH IN MOTION LIMITED	
TITLE		Gemini - noGPS yesWiFi-Main Board	
SIZE		DRAWING No. SCH-21175-004	
REV		3	
SHEET		7 OF 19	

### LIGHT SENSOR



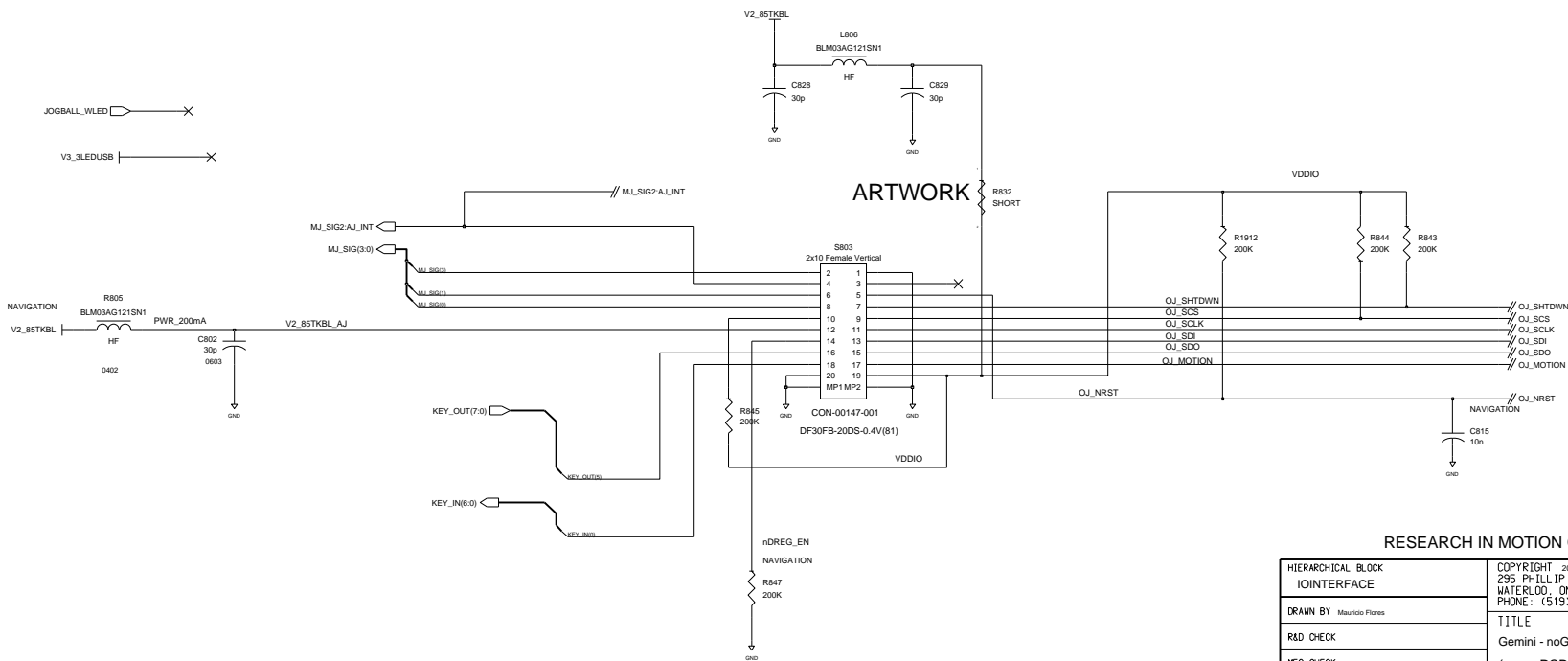
### TRI-COLOR LED



### MECHANICAL JOGBALL - MJB

### JOG BALL INTERFACE

### OPTICAL JOGBALL - OJB



MENTOR

NOT AN APPROVED PART

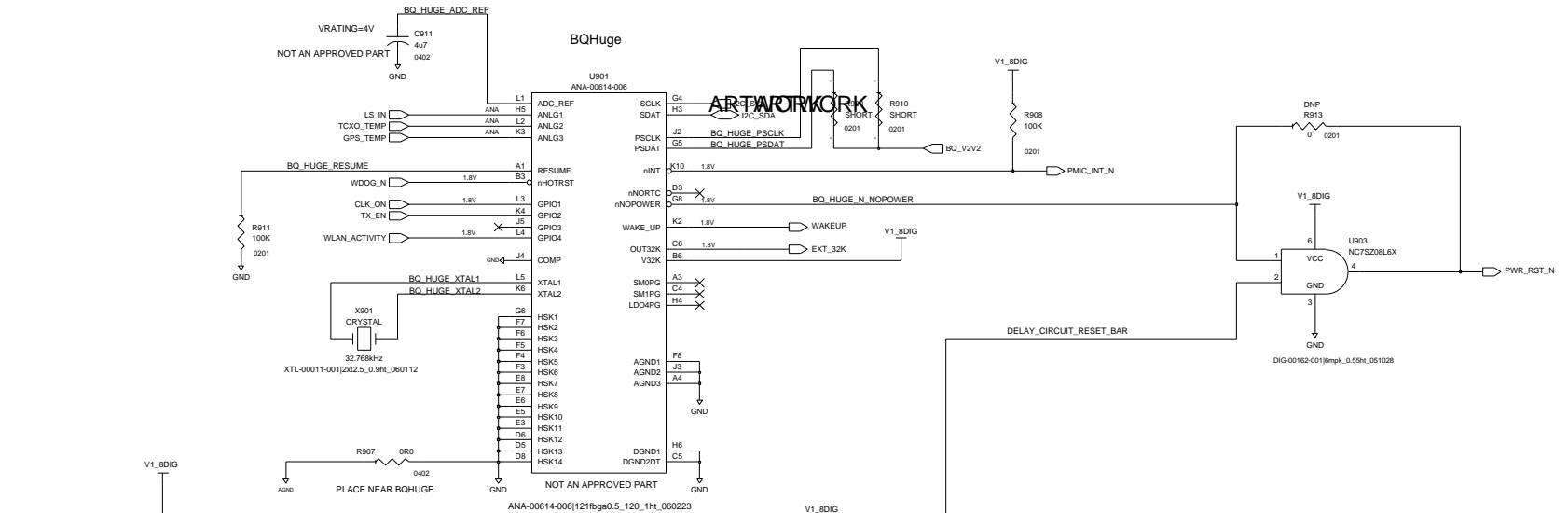
ARTWORK

RESEARCH IN MOTION CONFIDENTIAL

HIERARCHICAL BLOCK JOINTERFACE		COPYRIGHT 2009, RESEARCH IN MOTION LIMITED 295 PHILLIP ST. WATERLOO, ONTARIO, CANADA PHONE: (519) 888-7465, FAX (519) 888-6306	
DRAWN BY: Mauricio Flores		TITLE Gemini - noGPS yesWiFi-Main Board	
R&D CHECK		(uses: PCB-21175-006)	
MFG CHECK		SIZE DRAWING No. SCH-21408-004	
Edi Led By: mafiores		C	
Level: Ed1: Jul 22, 2009, 5:28:39 pm		REV 3 SHEET 8 OF 19	



PLACE CLOSE TO BQHUGE

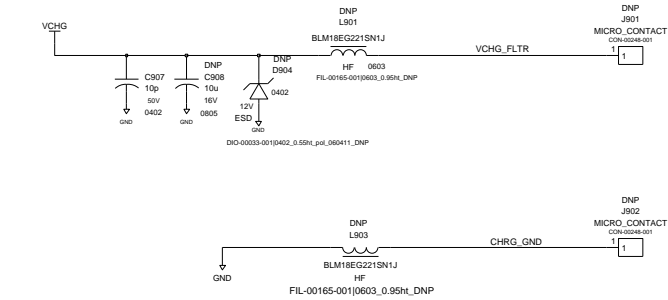


ARTWORK

DELAY\_CIRCUIT\_RESET\_BAR

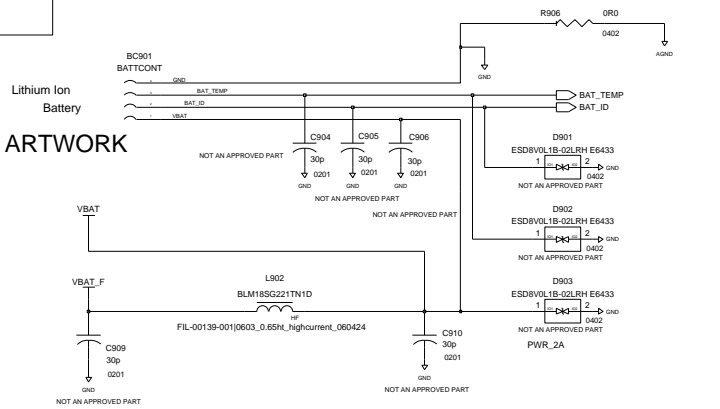
PLACE NEAR THE BATTERY CONNECTOR

CHARGING CONTACTS



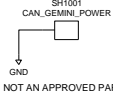
Lithium Ion Battery

ARTWORK

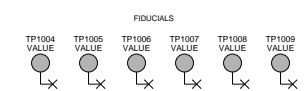
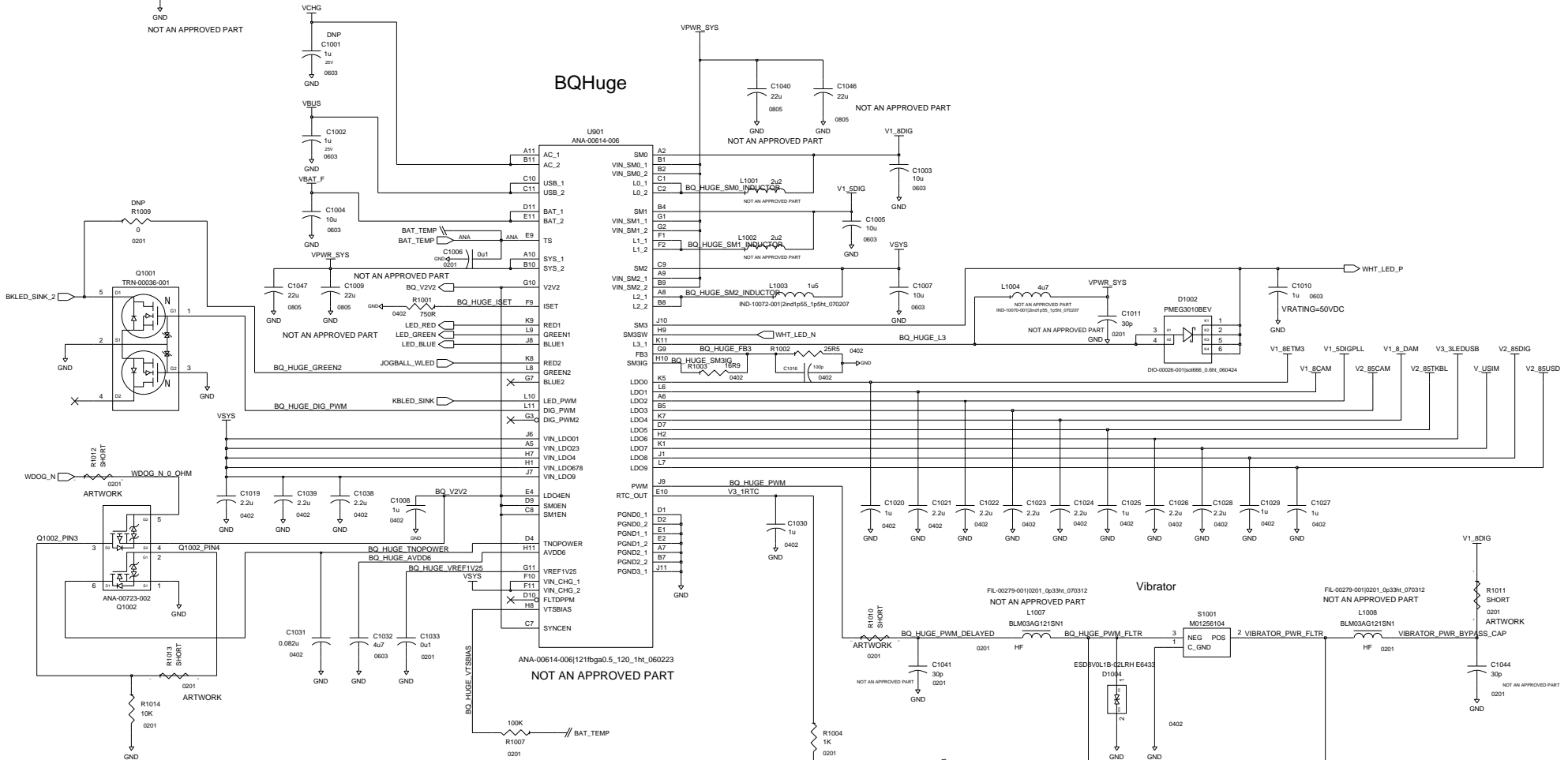


RESEARCH IN MOTION CONFIDENTIAL

HIERARCHICAL BLOCK BAT_CHG2		COPYRIGHT 2009, RESEARCH IN MOTION LIMITED 295 PHILLIP ST. WATERLOO, ONTARIO, CANADA PHONE: (519) 888-7465, FAX (519) 888-6306	
DRAWN BY: Mauricio Flores		TITLE Gemini - noGPS yesWiFi-Main Board	
R&D CHECK		(uses: PCB-21175-006)	
MFG CHECK		SIZE DRAWING No. SCH-21408-004	
Edi Led Bu: mafiores		C	
Last Ed: Jul 22, 2009, 5:29:18 pm		REV 3 SHEET 9 OF 19	



### BQHuge



**\*WARNING EXPLOSIVE\***  
 FOLLOW MANUFACTURERS  
 ASSEMBLY/REWORK INSTRUCTIONS  
 DISCHARGE BEFORE REWORK  
 DO NOT OVERHEAT

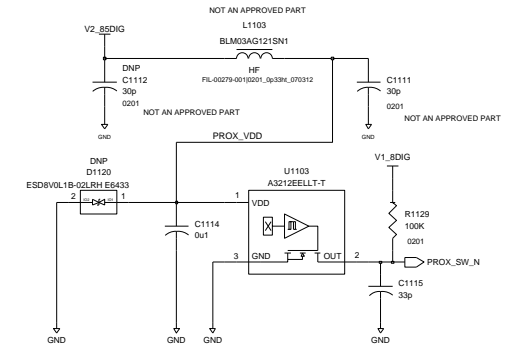
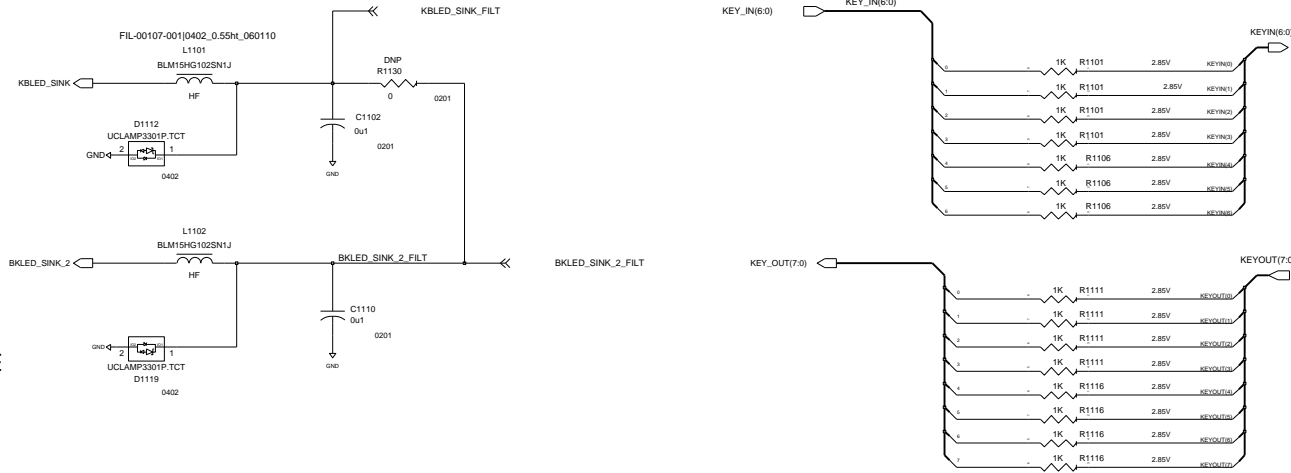
RESEARCH IN MOTION CONFIDENTIAL

HIERARCHICAL BLOCK POWER		COPYRIGHT 2009, RESEARCH IN MOTION LIMITED 295 PHILLIP ST. WATERLOO, ONTARIO, CANADA PHONE: (519) 888-7465, FAX (519) 888-6306	
DRAWN BY Mauricio Flores		TITLE Gemini - noGPS yesWiFi-Main Board	
R&D CHECK		(uses: PCB-21175-006)	
FVG CHECK		Edi Led Bu: ediaz	
Edi Led Bu: ediaz		SIZE DRAWING No. SCH-21408-004	
Last Ed: Aug 11, 2009, 11:12:55 am		C REV 3 SHEET 10 OF 19	

### KEYBOARD CONNECTOR

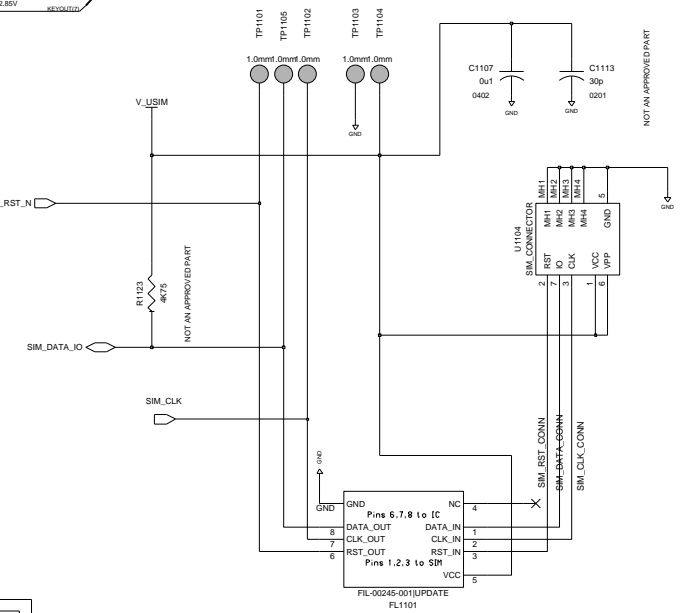
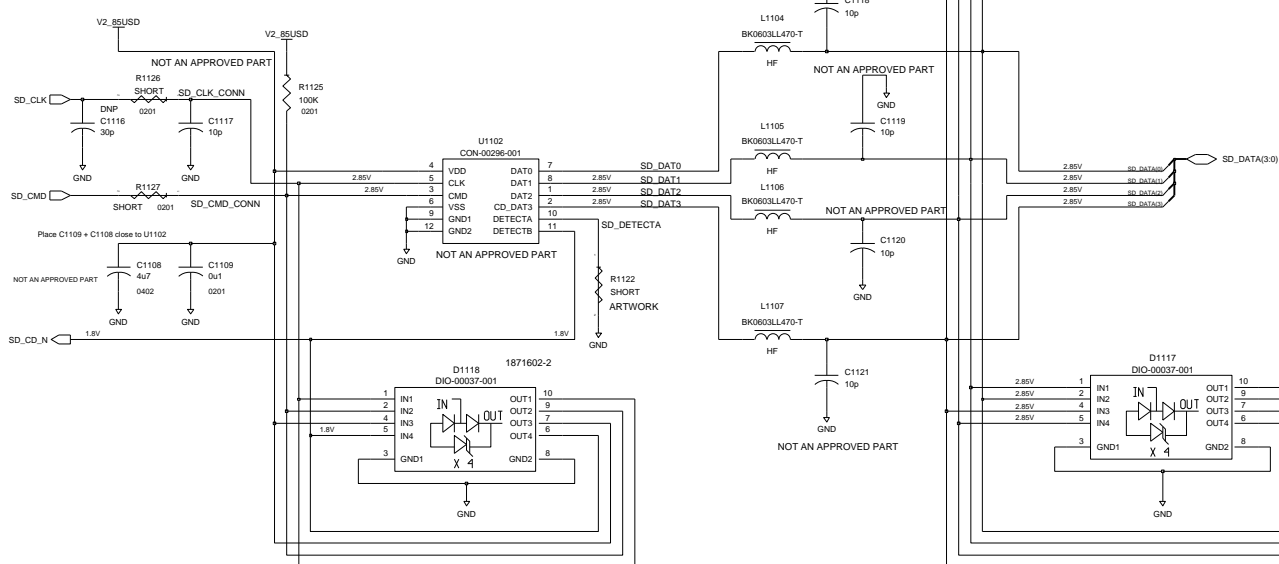
### MENTOR

### HALL-EFFECT SENSOR



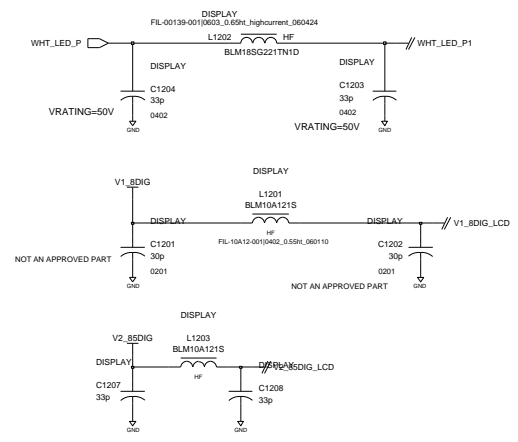
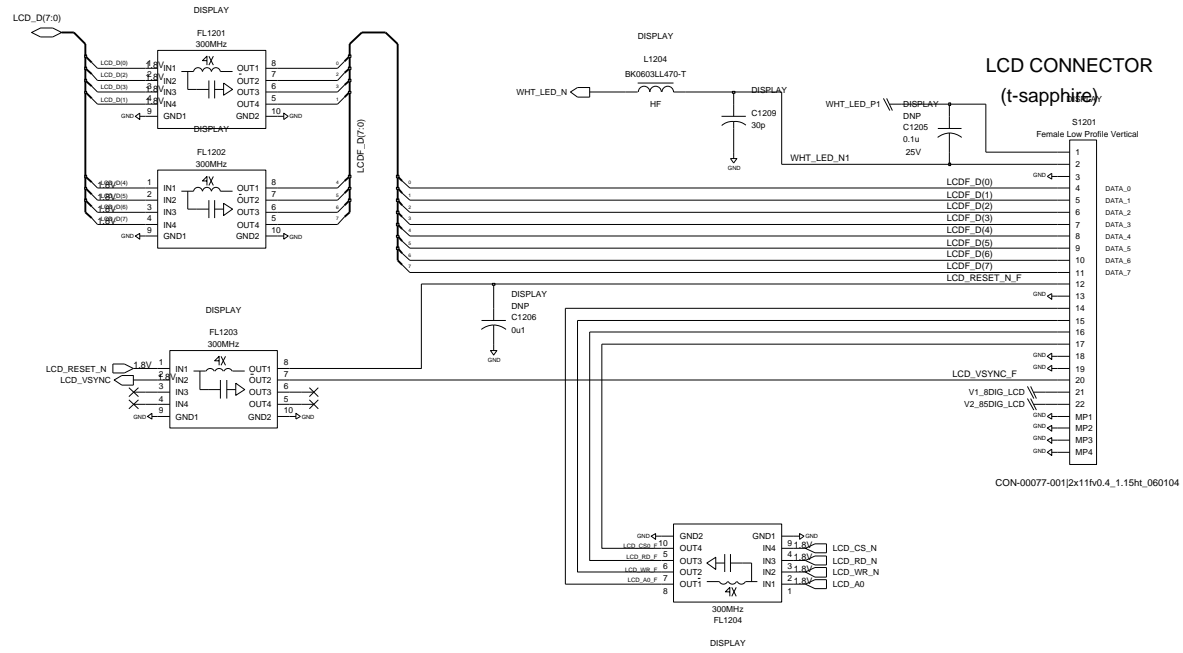
### SIM CONNECTOR

### MicroSD Connector



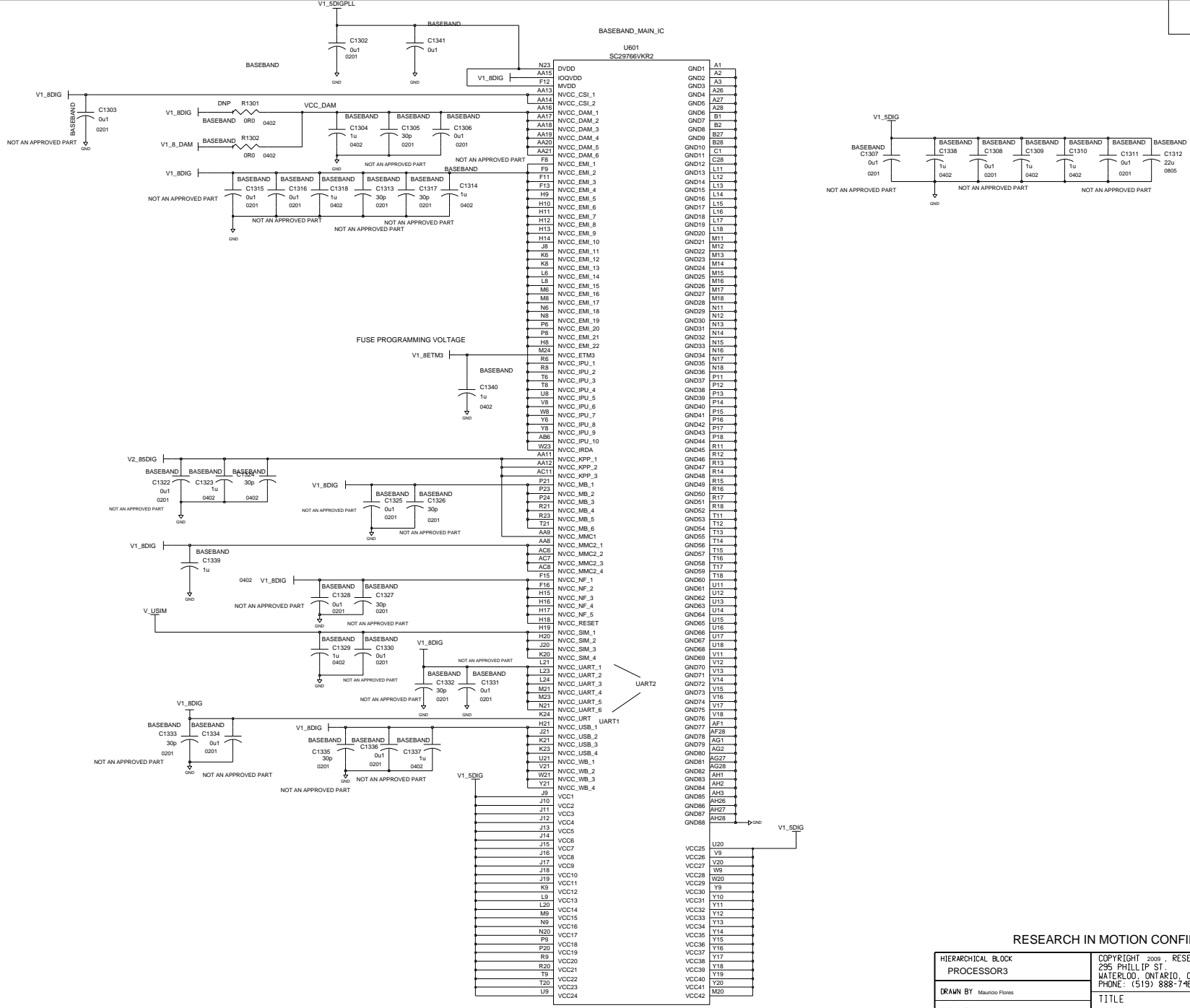
### RESEARCH IN MOTION CONFIDENTIAL

HIERARCHICAL BLOCK KEYBRD_SD_SIM		COPYRIGHT 2009, RESEARCH IN MOTION LIMITED 295 PHILLIP ST. WATERLOO, ONTARIO, CANADA PHONE: (519) 888-7465, FAX (519) 888-6306	
DRAWN BY: Mauricio Flores		TITLE Gemini - noGPS yesWiFi-Main Board	
R&D CHECK		(uses: PCB-21175-006)	
MFG CHECK		SIZE DRAWING No. SCH-21408-004	
Edi Led Bu: mafiores		C REV 3 SHEET 11 OF 19	
Level: Edi L1: Jul 22, 2009, 5:29:47 pm			



RESEARCH IN MOTION CONFIDENTIAL

HIERARCHICAL BLOCK JOINTERFACE2		COPYRIGHT 2009, RESEARCH IN MOTION LIMITED 295 PHILLIP ST. WATERLOO, ONTARIO, CANADA PHONE: (519) 888-7465, FAX (519) 888-6306	
DRAWN BY: Mauricio Flores		TITLE Gemini - noGPS yesWiFi-Main Board	
R&D CHECK		(uses: PCB-21175-006)	
MFG CHECK		SIZE DRAWING No. SCH-21408-004	
Edi Led Bu: ediaz		C	
Level: Edi1: Apr 1, 2009, 3:29:05 pm		REV 3	SHEET 12 OF 19



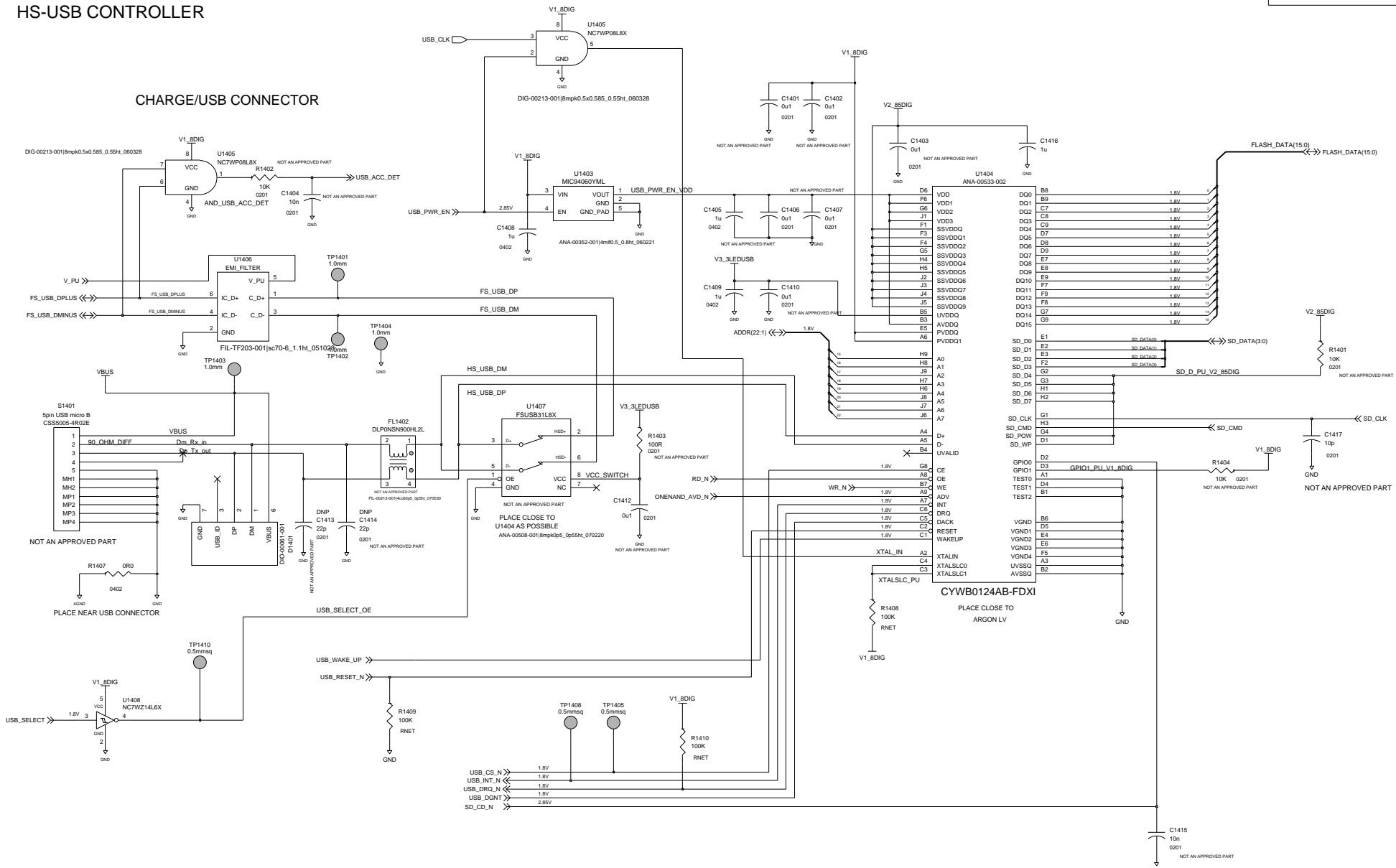
NOT AN APPROVED PART

RESEARCH IN MOTION CONFIDENTIAL

HIERARCHICAL BLOCK PROCESSORS		COPYRIGHT 2009, RESEARCH IN MOTION LIMITED 295 PHILLIP ST. WATERLOO, ONTARIO, CANADA PHONE: (519) 888-7465, FAX (519) 888-6306	
DRAWN BY: Mauricio Flores		TITLE Gemini - noGPS yesWiFi-Main Board	
R&D CHECK		(uses: PCB-21175-006)	
PFG CHECK		SIZE DRAWING No. SCH-21408-004	
Edi Led Bu: ediz		C REV 3 SHEET 13 OF 19	
Last Ed 1: Mar 18, 2009, 3:10:40 pm			

HS-USB CONTROLLER

CHARGE/USB CONNECTOR

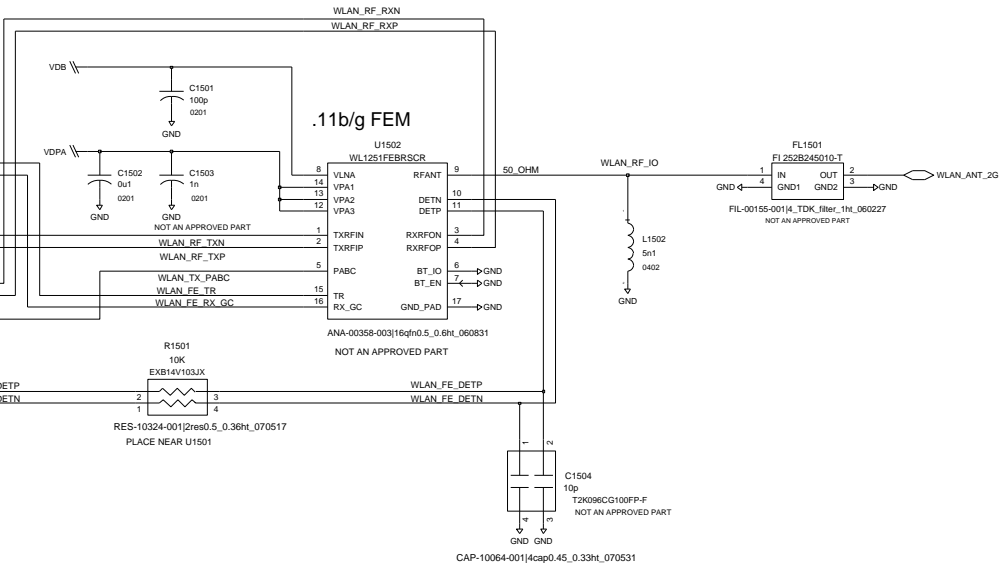
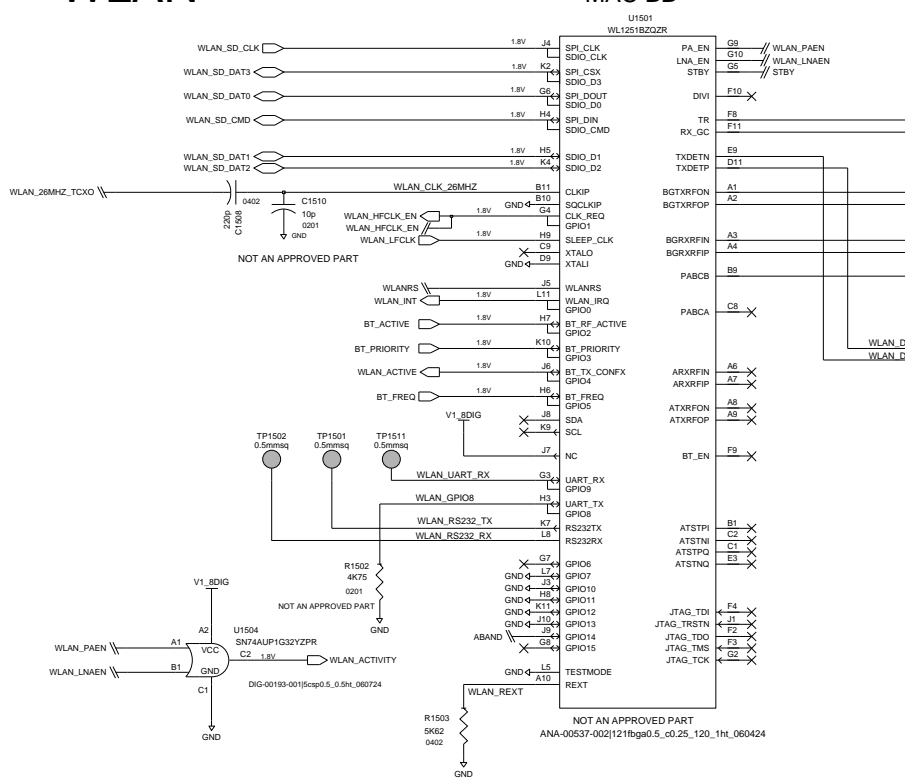


RESEARCH IN MOTION CONFIDENTIAL

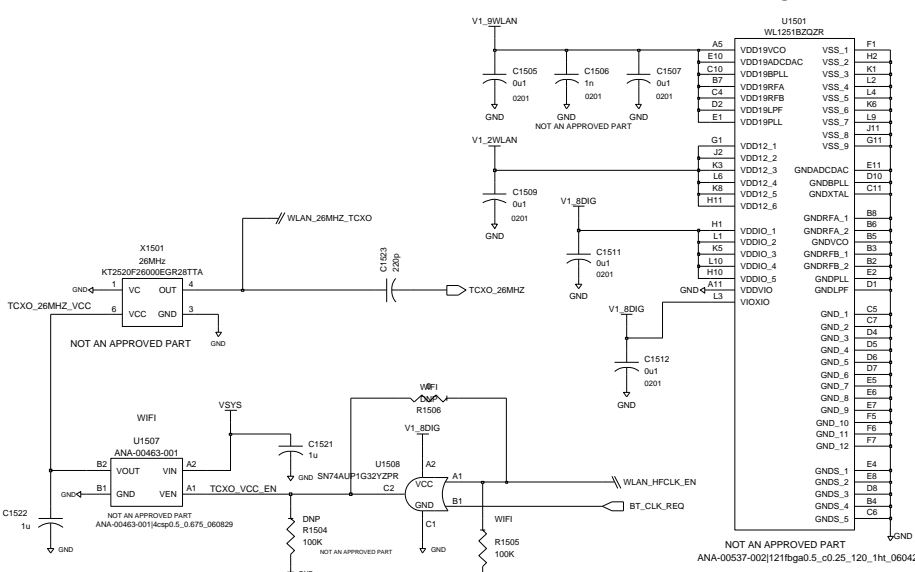
HIERARCHICAL BLOCK PROCESSOR4		COPYRIGHT 2009, RESEARCH IN MOTION LIMITED 295 PHILLIP ST. WATERLOO, ONTARIO, CANADA PHONE: (519) 888-7465, FAX (519) 888-6306	
DRAWN BY: Mauricio Flores		TITLE Gemini - noGPS yesWiFi-Main Board	
R&D CHECK		(uses: PCB-21175-006)	
MFG CHECK		SIZE: DRAWING No. SCH-21408-004	
Edi Led Bu: ediaz		C REV 3 SHEET 14 OF 19	
Level: Ed1:1 Apr 1, 2009, 1:45:13 pm			

# WLAN

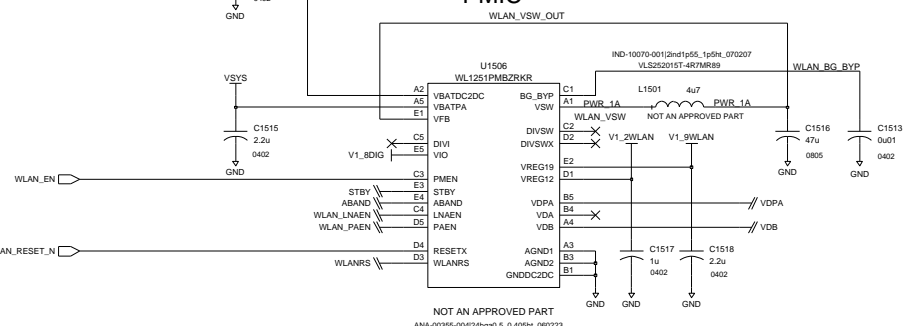
## MAC BB



## MAC BB



## PMIC



RESEARCH IN MOTION CONFIDENTIAL

HIERARCHICAL BLOCK	WLAN	COPYRIGHT 2009, RESEARCH IN MOTION LIMITED 295 PHILLIP ST. WATERLOO, ONTARIO, CANADA PHONE: (519) 888-7465, FAX (519) 888-6306
DRAWN BY	Mauricio Flores	
R&D CHECK		TITLE
IFG CHECK		Gemini - noGPS yesWiFi-Main Board
Edi Led Bu: mafiores		(uses: PCB-21175-006)
Label	Edi 1: Jul 22, 2009, 6:01:02 pm	SIZE
		DRAWING No. SCH-21408-004
		REV 3
		SHEET 15 OF 19

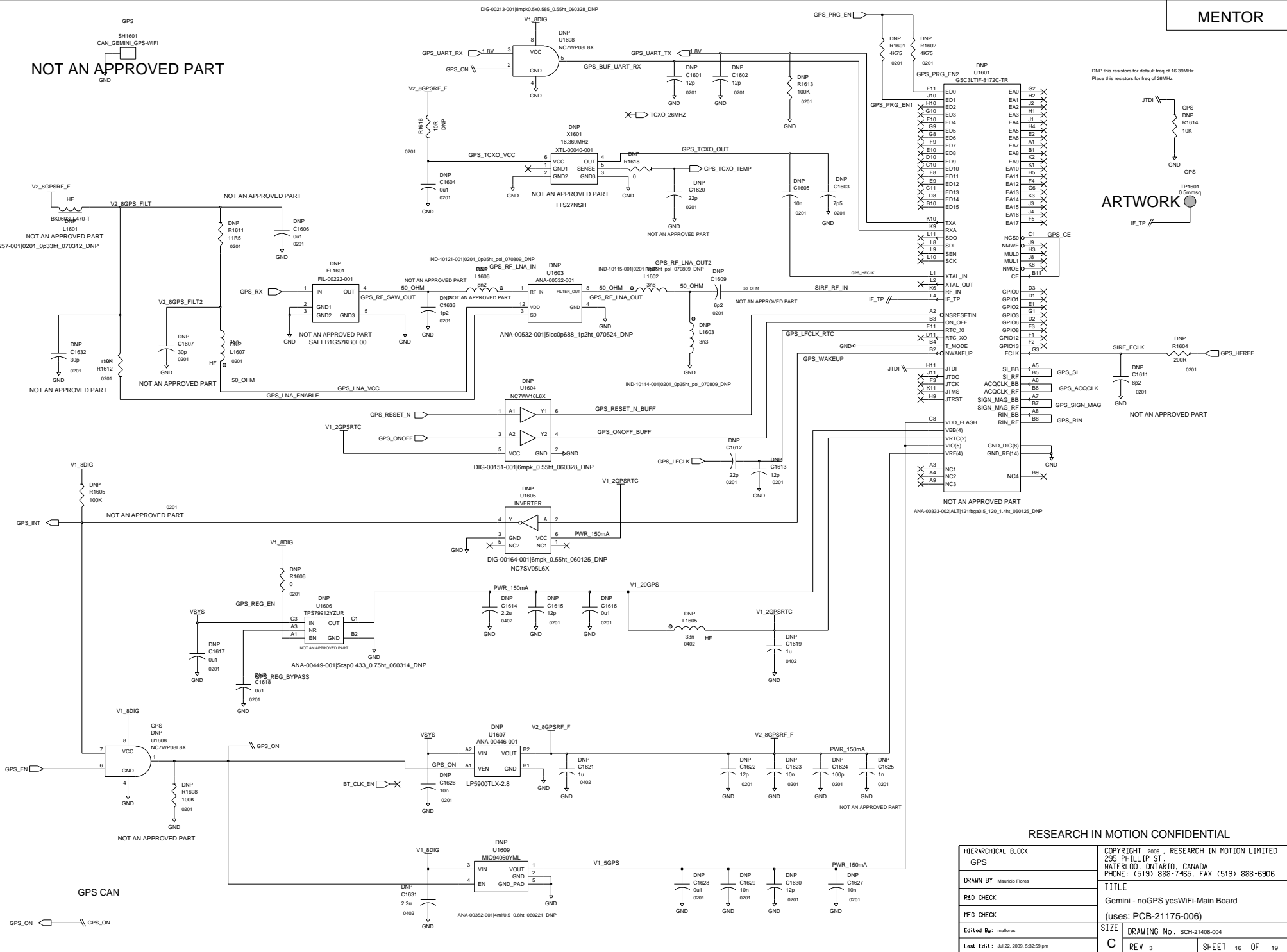
NOT AN APPROVED PART

DNP this resistors for default freq of 16.39MHz  
Place this resistors for freq of 26MHz

ARTWORK

RESEARCH IN MOTION CONFIDENTIAL

HIERARCHICAL BLOCK		COPYRIGHT 2009, RESEARCH IN MOTION LIMITED	
GPS		295 PHILLIP ST. WATERLOO, ONTARIO, CANADA PHONE: (519) 888-7465, FAX (519) 888-6306	
DRAWN BY		TITLE	
Mauricio Flores		Gemini - noGPS yesWiFi-Main Board	
R&D CHECK		(uses: PCB-21175-006)	
MFG CHECK		SIZE	
Edi Led Bu: mafiores		C DRAWING No. SCH-21408-004	
Last Ed: Jul 22, 2009, 5:32:59 pm		REV 3 SHEET 16 OF 19	



4

3

2

1

D

D

C

C

B

B

A

A

4

3

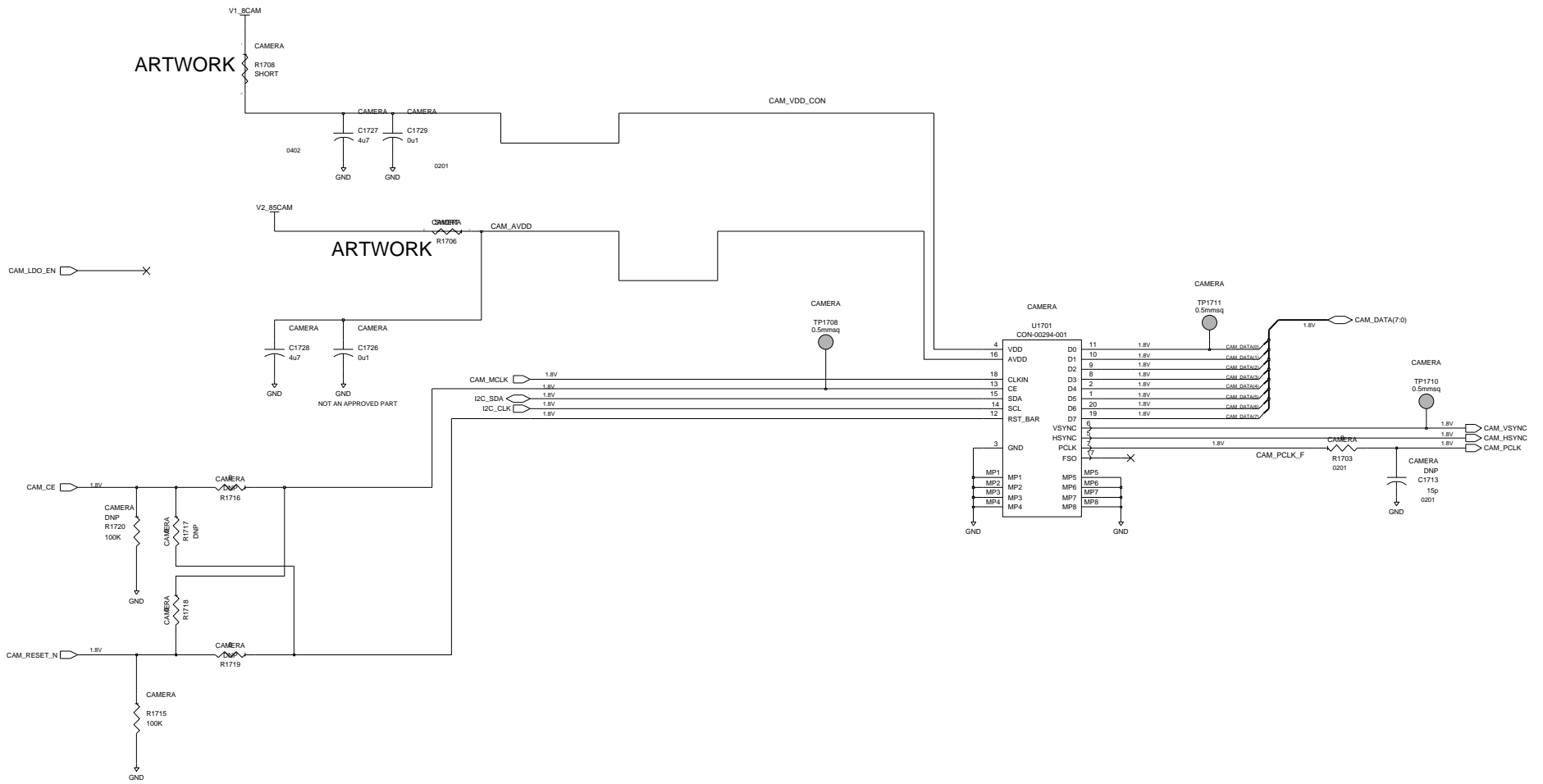
2

1

GPS CAN



### 2MP SoC CAMERA SOCKET

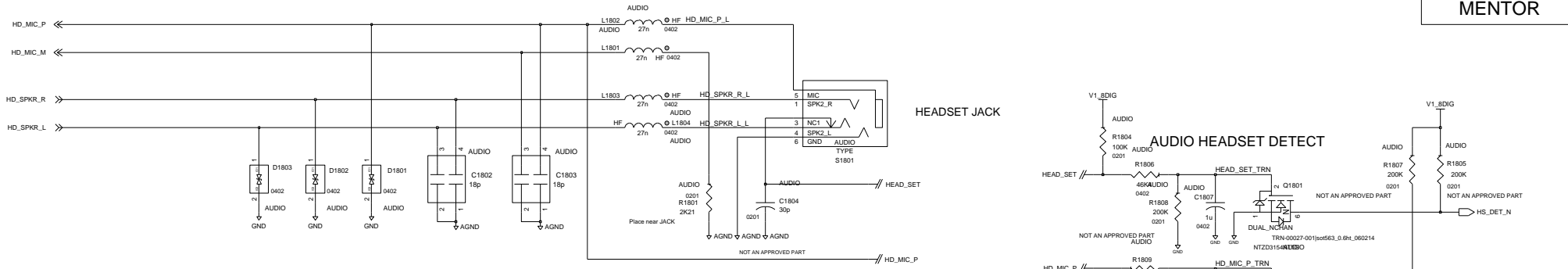


RESEARCH IN MOTION CONFIDENTIAL

HIERARCHICAL BLOCK JOINTERFACES		COPYRIGHT 2009, RESEARCH IN MOTION LIMITED 295 PHILLIP ST. WATERLOO, ONTARIO, CANADA PHONE: (519) 888-7465, FAX (519) 888-6306	
DRAWN BY: Mauricio Flores		TITLE	
R&D CHECK		Gemini - noGPS yesWiFi-Main Board	
MFG CHECK		(uses: PCB-21175-006)	
Edi Led Bu: mafiores		SIZE	
Level: Ed1:1 Apr 22, 2009, 2:24:04 pm		DRAWING No. SCH-21408-004	
		REV 3 SHEET 17 OF 19	

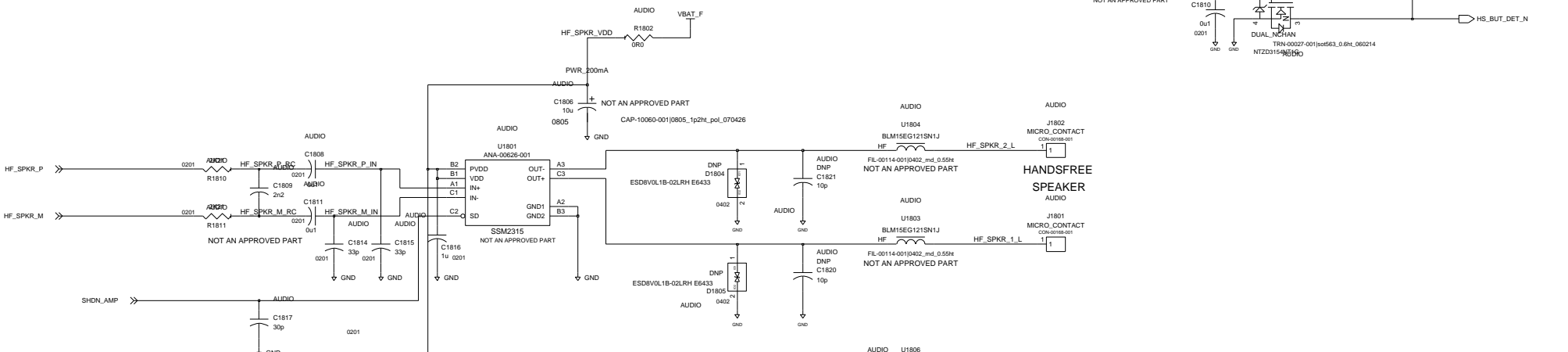
D  
0402

D



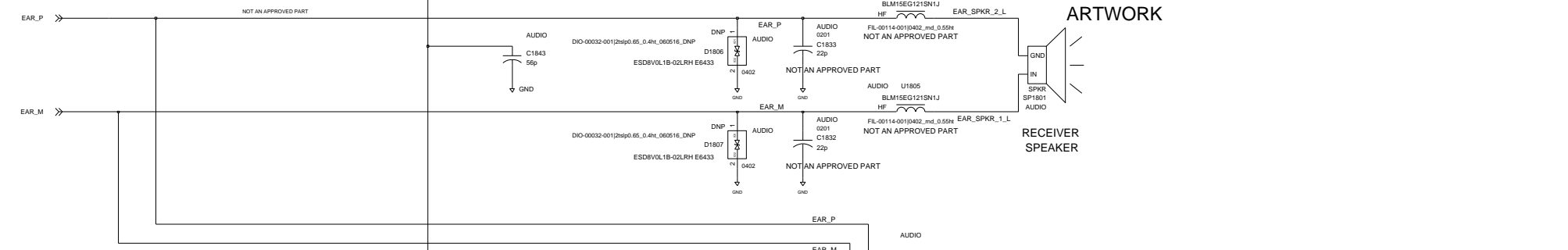
C

C



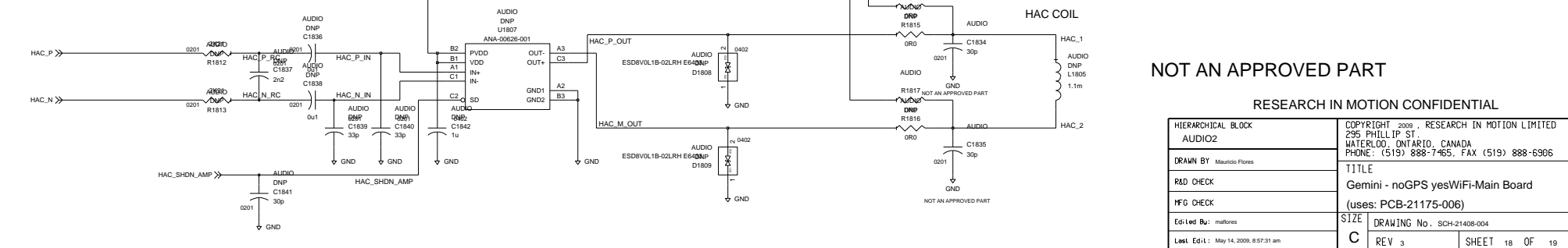
B

B



A

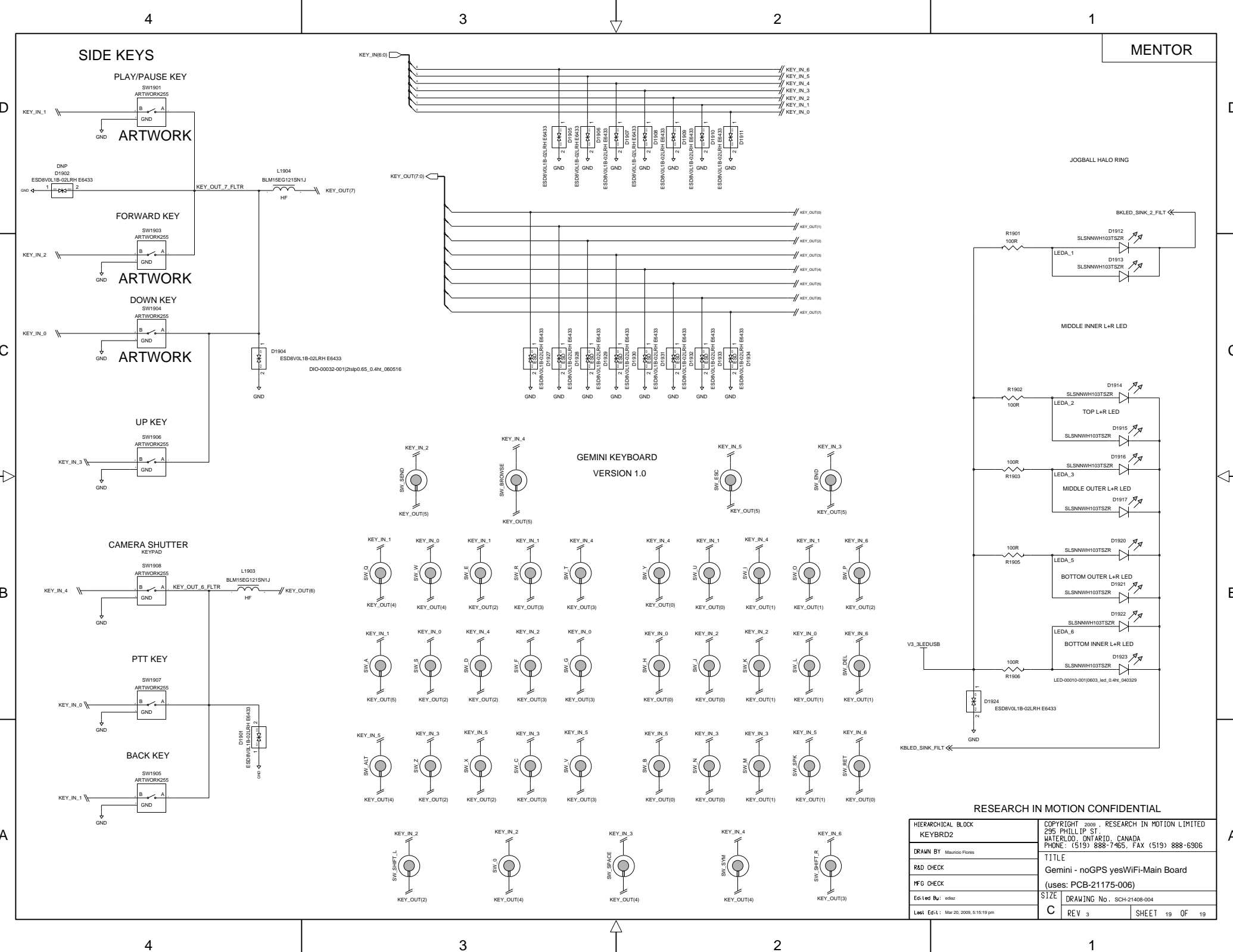
A



NOT AN APPROVED PART

RESEARCH IN MOTION CONFIDENTIAL

HIERARCHICAL BLOCK AUDIO2	COPYRIGHT 2009, RESEARCH IN MOTION LIMITED 295 PHILLIP ST. WATERLOO, ONTARIO, CANADA PHONE: (519) 888-7465, FAX (519) 888-6306
DRAWN BY Mauricio Flores	TITLE Gemini - noGPS yesWiFi-Main Board
R&D CHECK	(uses: PCB-21175-006)
HFG CHECK	SIZE DRAWING No. SCH-21408-004
Edi Led By: maflores	C REV 3 SHEET 18 OF 19
Last Ed1: May 14, 2009, 8:57:31 am	



RESEARCH IN MOTION CONFIDENTIAL

HIERARCHICAL BLOCK KEYBRD2		COPYRIGHT 2009, RESEARCH IN MOTION LIMITED 295 PHILLIP ST. WATERLOO, ONTARIO, CANADA PHONE: (519) 888-7465, FAX (519) 888-6306	
DRAWN BY: Mauricio Flores		TITLE Gemini - noGPS yesWiFi-Main Board	
R&D CHECK		(uses: PCB-21175-006)	
IFG CHECK		SIZE DRAWING No. SCH-21408-004	
Edi Led Bu: ediaz		C REV 3 SHEET 19 OF 19	
Last Ed1: Mar 20, 2009, 6:15:19 pm			